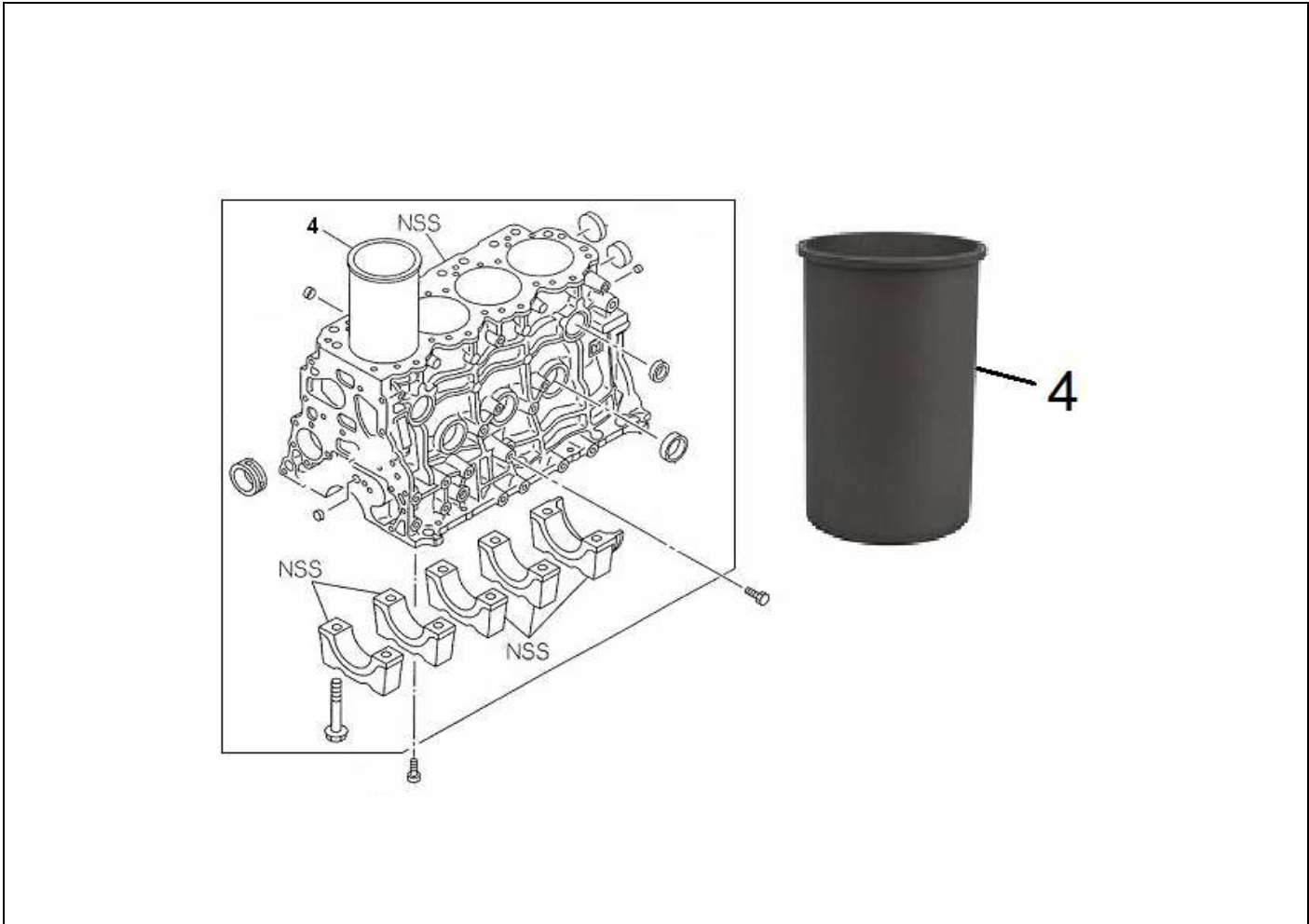


# PART INFORMATION

No : 027/ PI / PART / IAMI / VII / 2012  
 Tanggal : 03 Juli 2012  
 Perihal : LINER NKR71E2

**FIG.NO : 0-12 CYLINDER BLOCK**



NO	PART NUMBER	DESCRIPTION	KEY NO	ENGINE	APPLIED DATE	RETAIL	REMARKS
1	6-98014 048-0	LINER C/BL,NKR71 EURO2	1	4HG1-T	0702-	570.000	NKR71 EURO2

Prepared by : Eddy Pramono , 03 Juli 2012