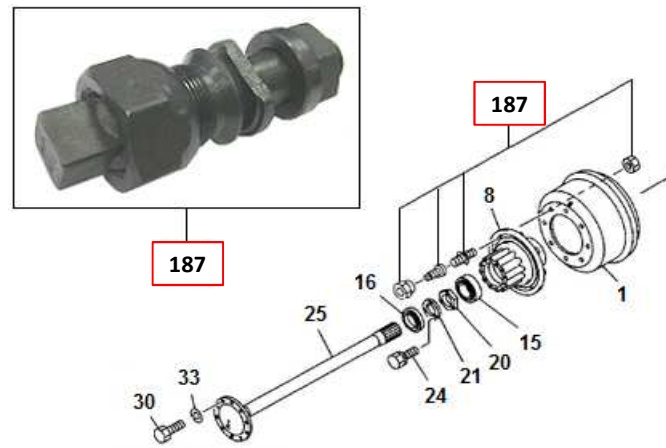


PART INFORMATION

No : 027 / PI / PART / IAMI / III / 15
Tanggal : 16 Maret 2015
Perihal : PIN WHEEL SET REAR, F#, IADG

FIG.NO : 4-20 REAR AXLE CASE AND SHAFT



NO	PART NEW	DESCRIPTION	FIG No.	KEY NO.	APPLIED DATE	RETAIL	REMARKS
1	I6-87412 289-0	PIN WHEEL SET RR RH	4-20	187	1104-	Rp65.000	(RH); FTR, FVR, FVM, FVZ
2	I6-87412 290-0	PIN WHEEL SET RR LH	4-20	187	1104-	Rp65.000	(LH); FTR, FVR, FVM, FVZ