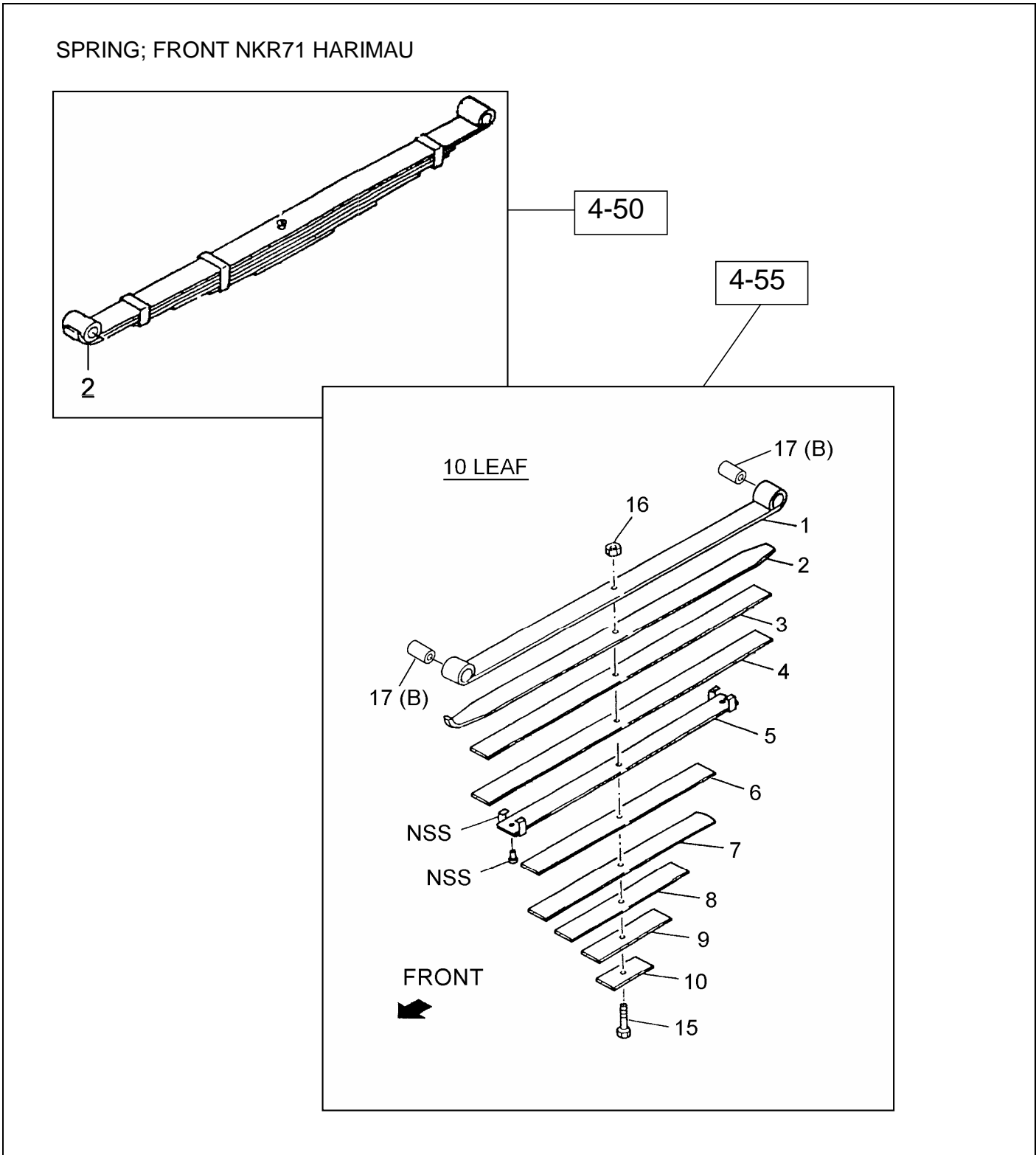


PART INFORMATION

No : 028 / PI / PART / IAMI / VII / 2012
Tanggal : 18 Juli 2012
Perihal : SPRING NKR71-T / HD GAUGE UP (HARIMAU)

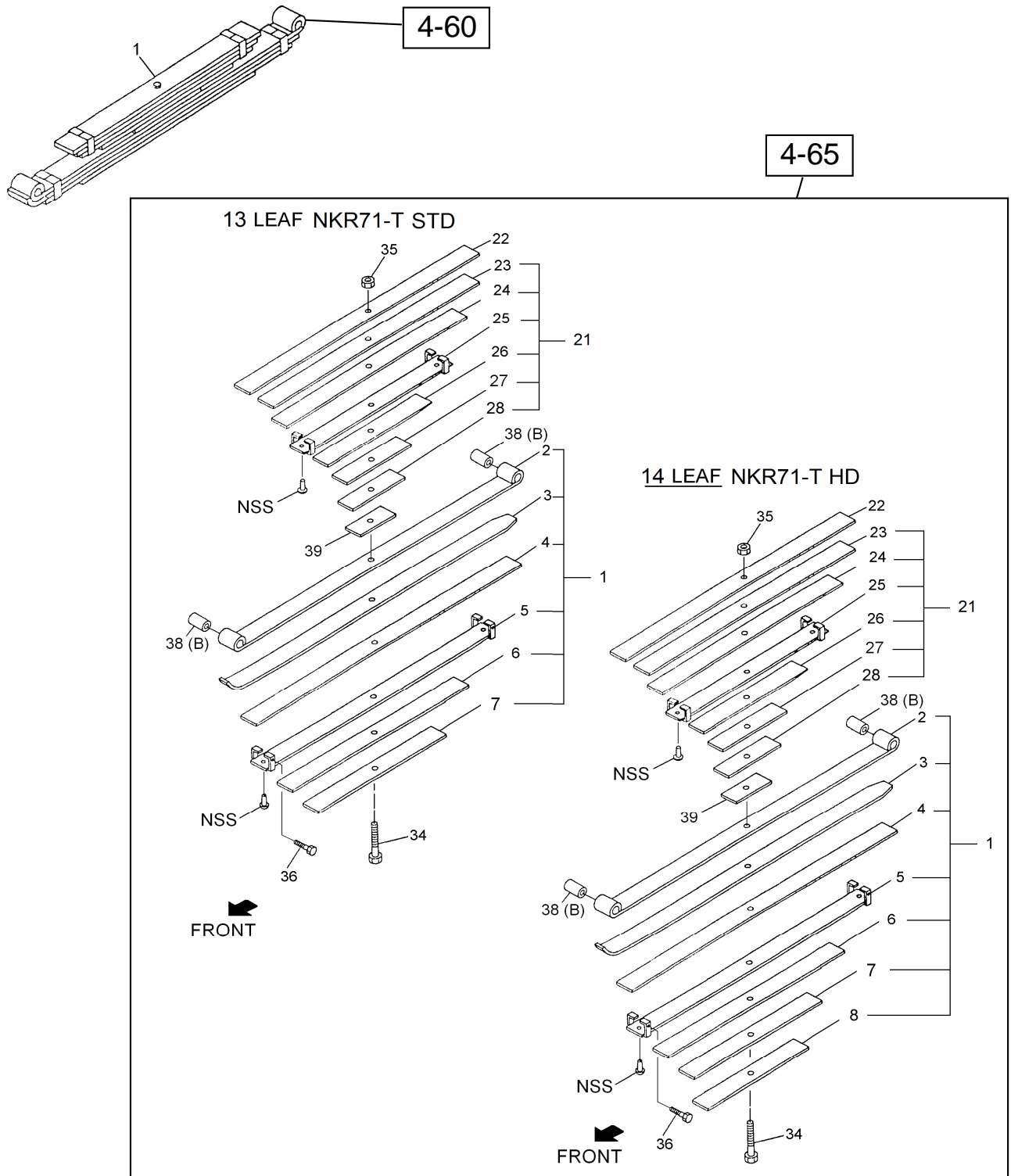
FIG.NO : 4-50, 4-55, 4-60, 4-65 SPRING



PART INFORMATION

No : 028 / PI / PART / IAMI / VII / 2012
 Tanggal : 18 Juli 2012
 Perihal : SPRING NKR71-T / HD GAUGE UP (HARIMAU)

SPRING; REAR NKR71 HARIMAU



PART INFORMATION

No : 028 / PI / PART / IAMI / VII / 2012
 Tanggal : 18 Juli 2012
 Perihal : SPRING NKR71-T / HD GAUGE UP (HARIMAU)

NO	PART NUMBER	DESCRIPTION	FIG NO	KEY NO	APPLIED DATE	RETAIL	REMARKS
1	7-65003 211-A	SPRING ASM ; LEAF FRT	4-50	1	1202-	1.475.000	NKR71-T Standard
2	7-65003 211-A	SPRING ASM ; LEAF FRT	4-50	1	1202-	1.475.000	NKR71-T Heavy Duty
3	7-65003 001-A	SPR;LEAF,NO1,FR NKR71	4-55	1	1202-	#N/A	NKR71-T Standard / Heavy Duty
4	7-65003 002-A	SPR;LEAF,NO2,FR,NKR71	4-55	2	1202-	245.000	NKR71-T Standard / Heavy Duty
5	7-65003 003-A	SPR;LEAF,NO.3&4,FR NKR71	4-55	3	1202-	225.000	NKR71-T Standard / Heavy Duty
6	7-65003 003-A	SPR;LEAF,NO.3&4,FR NKR71	4-55	4	1202-	225.000	NKR71-T Standard / Heavy Duty
7	7-65003 005-A	SPR;LEAF,NO.5,FR NKR71	4-55	5	1202-	167.000	NKR71-T Standard / Heavy Duty
8	7-65003 006-A	SPR;LEAF,NO.6,FR NKR71	4-55	6	1202-	131.000	NKR71-T Standard / Heavy Duty
9	7-65003 007-A	SPR;LEAF,NO.7,FR NKR71	4-55	7	1202-	104.000	NKR71-T Standard / Heavy Duty
10	7-65003 008-A	SPR;LEAF,NO.8,FR NKR71	4-55	8	1202-	74.000	NKR71-T Standard / Heavy Duty
11	7-65003 009-A	SPR;LEAF,NO.9,FR NKR71	4-55	9	1202-	55.000	NKR71-T Standard / Heavy Duty
12	7-65003 010-A	SPR;LEAF,NO.10,FR NKR71	4-55	10	1202-	#N/A	NKR71-T Standard / Heavy Duty
13	8-94165 271-A	BOLT ; CENTER, LEAF SPR,FRT	4-55	15	1202-	15.500	NKR71-T Standard / Heavy Duty
14	0-91110 510-0	NUT ; CENTER BOLT,	4-55	16	1202-	11.000	NKR71-T Standard / Heavy Duty
15	7-00007 155-A	BUSHING ; LEAF SPRING,FRT	4-55	17(B)	1202-	54.000	NKR71-T Standard / Heavy Duty
16	7-66020 212-A	SPRING ASM ; LEAF, REAR	4-60	1	1202-	#N/A	NKR71-T Standard
17	7-66020 213-A	SPRING ASM ; LEAF, REAR	4-60	1	1202-	2.925.000	NKR71-T Heavy Duty
18	7-66000 230-A	SPRING S/A ; LEAF, RR MAIN	4-65	1	1202-	3.325.000	NKR71-T Standard / Heavy Duty
19	7-66000 231-A	SPRING ; LEAF, NO.1, RR MAIN	4-65	2	1202-	1.000.000	NKR71-T Standard / Heavy Duty
20	7-66000 232-A	SPRING ; LEAF, NO.2, RR MAIN	4-65	3	1202-	560.000	NKR71-T Standard / Heavy Duty
21	7-66000 233-A	SPRING ; LEAF, NO.3, RR MAIN	4-65	4	1202-	540.000	NKR71-T Standard / Heavy Duty
22	7-66000 234-A	SPRING ; LEAF, NO.4, RR MAIN	4-65	5	1202-	560.000	NKR71-T Standard / Heavy Duty
23	7-66000 235-A	SPRING ; LEAF, NO.5, RR MAIN	4-65	6	1202-	335.000	NKR71-T Standard / Heavy Duty
24	7-66000 236-A	SPRING ; LEAF, NO.6, RR MAIN	4-65	7	1202-	235.000	NKR71-T Standard / Heavy Duty
25	7-66000 237-A	SPRING ; LEAF, NO.7, RR MAIN	4-65	8	1202-	133.000	NKR71-T Standard / Heavy Duty
26	7-66000 239-A	SPRING S/A ; LEAF, RR HELPER	4-65	21	1202-	#N/A	NKR71-T Standard
27	7-66000 240-A	SPRING S/A ; LEAF, RR HELPER	4-65	21	1202-	1.875.000	NKR71-T Heavy Duty
28	7-66000 221-A	SPRING ; LEAF, NO.1, RR HELPER	4-65	22	1202-	#N/A	NKR71-T Standard
29	7-66000 241-A	SPRING ; LEAF, NO.1, RR HELPER	4-65	22	1202-	370.000	NKR71-T Heavy Duty
30	7-66000 242-A	SPRING ; LEAF, NO.2, RR HELPER	4-65	23	1202-	355.000	NKR71-T Standard / Heavy Duty
31	7-66000 223-A	SPRING ; LEAF, NO.3, RR HELPER	4-65	24	1202-	#N/A	NKR71-T Standard
32	7-66000 243-A	SPRING ; LEAF, NO.3, RR HELPER	4-65	24	1202-	370.000	NKR71-T Heavy Duty

