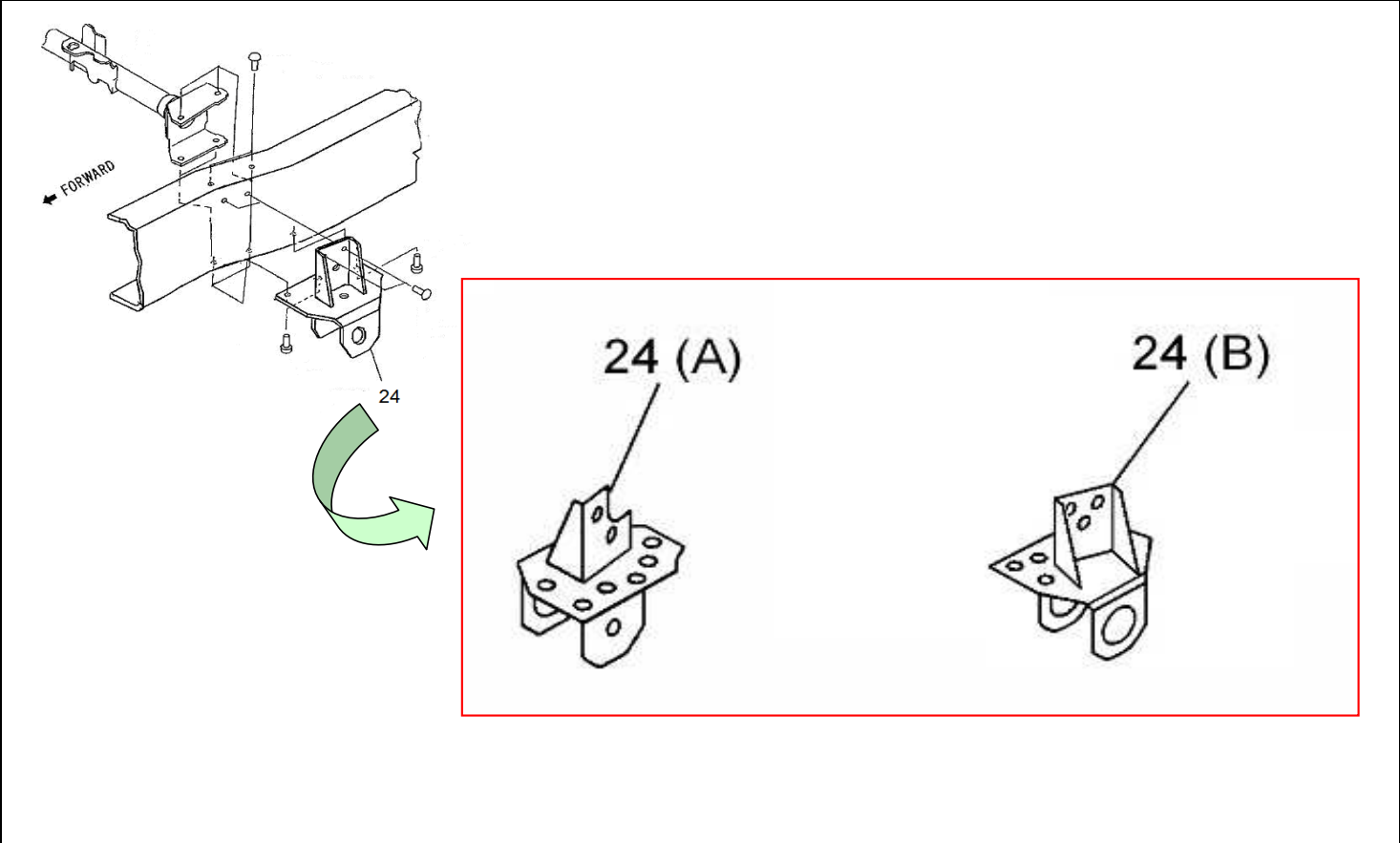


PART INFORMATION

No : 029 / PI / PART / IAMI / VII / 2013
Tanggal : 05 Juli 2013
Perihal : Revisi & Additional new items Fig No.5-01

FIG.NO : 5-01 FRAME AND OTHER PARTS



NO	PART NEW	DESCRIPTION	FIG No.	KEY NO.	APPLIED DATE	RETAIL	REMARKS
Data revisi catalog & Additional items terlampir (Figure Number 5-01)							

Prepared by : Eddy Pramono , 04 Juli 2013