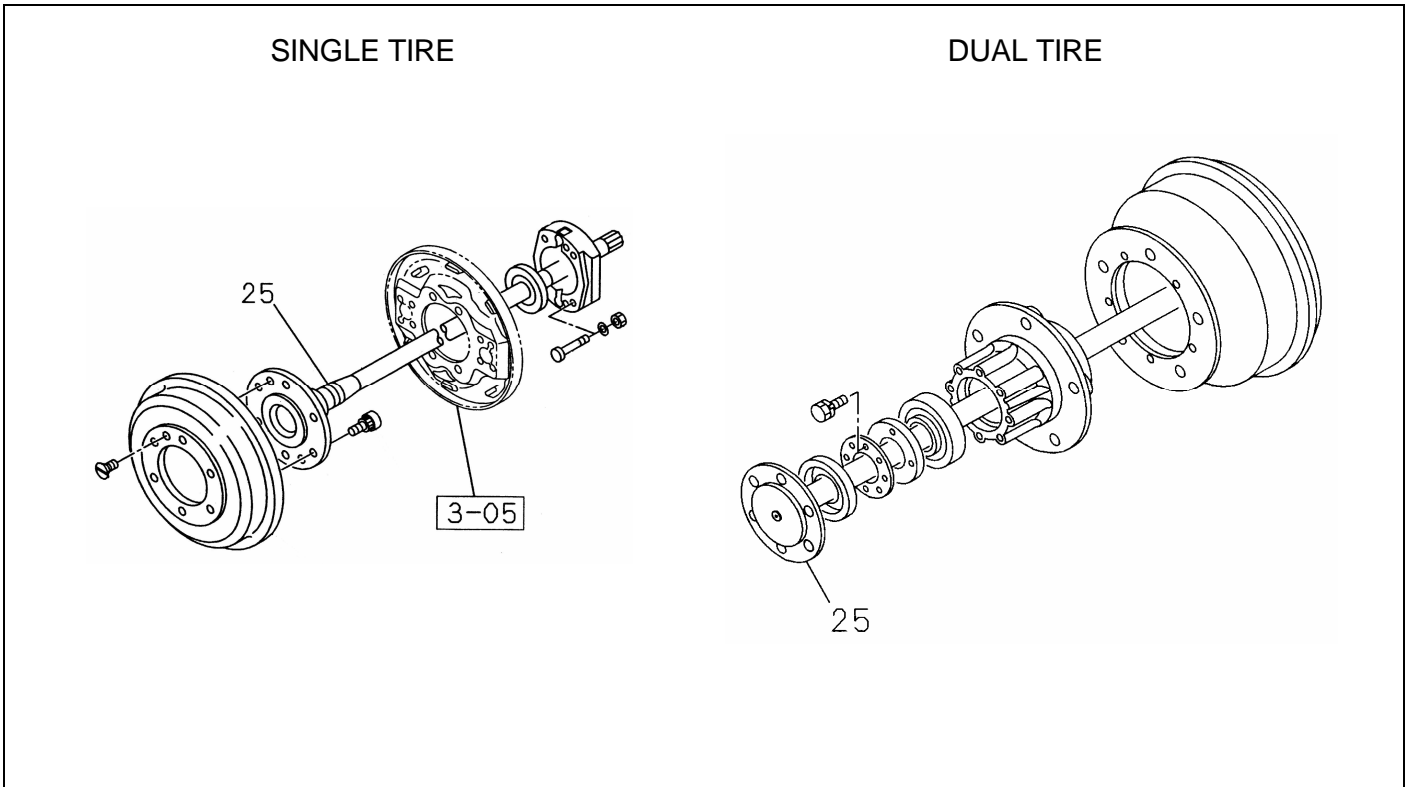


# PART INFORMATION

No : 029 / IAMI / PM / PART / VII / 2012  
 Tanggal : 25 Juli 2012  
 Perihal : SHAFT; AXLE, REAR N Series

**FIG.NO : 4-20 REAR AXLE CASE AND SHAFT**



NO	PART NUMBER	DESCRIPTION	FIG NO	KEY NO	APPLIED DATE	RETAIL	REMARKS
1	8-97083 094-1	SHAFT ; AXLE , REAR	4-20	25	9312-0701	2.100.000	NHR55-T/B
2	8-97083 094-1	SHAFT ; AXLE , REAR	4-20	25	0702-	2.100.000	NHR55-T/B EURO 2
3	8-97032 496-0	SHAFT ; AXLE , REAR	4-20	25	9312-1010	2.500.000	NKR 58 , NKR66-2
4	8-97032 496-0	SHAFT ; AXLE , REAR	4-20	25	1011-	2.500.000	NKR55L-T (6T) EURO 2
5	8-94366 192-0	SHAFT ; AXLE , REAR	4-20	25	0702-	2.350.000	NKR55-T/B,NKR55-B (LWB) E2
6	8-98098 425-A	SHAFT ; AXLE , REAR	4-20	25	9312-0701	870.000	NKR66,NKR71
7	8-98098 425-A	SHAFT ; AXLE , REAR	4-20	25	0702-0907	870.000	NKR71-T/HD EURO 2
8	8-98151 846-0	SHAFT ; AXLE , REAR	4-20	25	0908-1201	2.525.000	NKR71-T/HD EURO 2
9	8-98151 846-0	SHAFT ; AXLE , REAR	4-20	25	1202-	2.525.000	NKR71-T/HD E2, HARIMAU