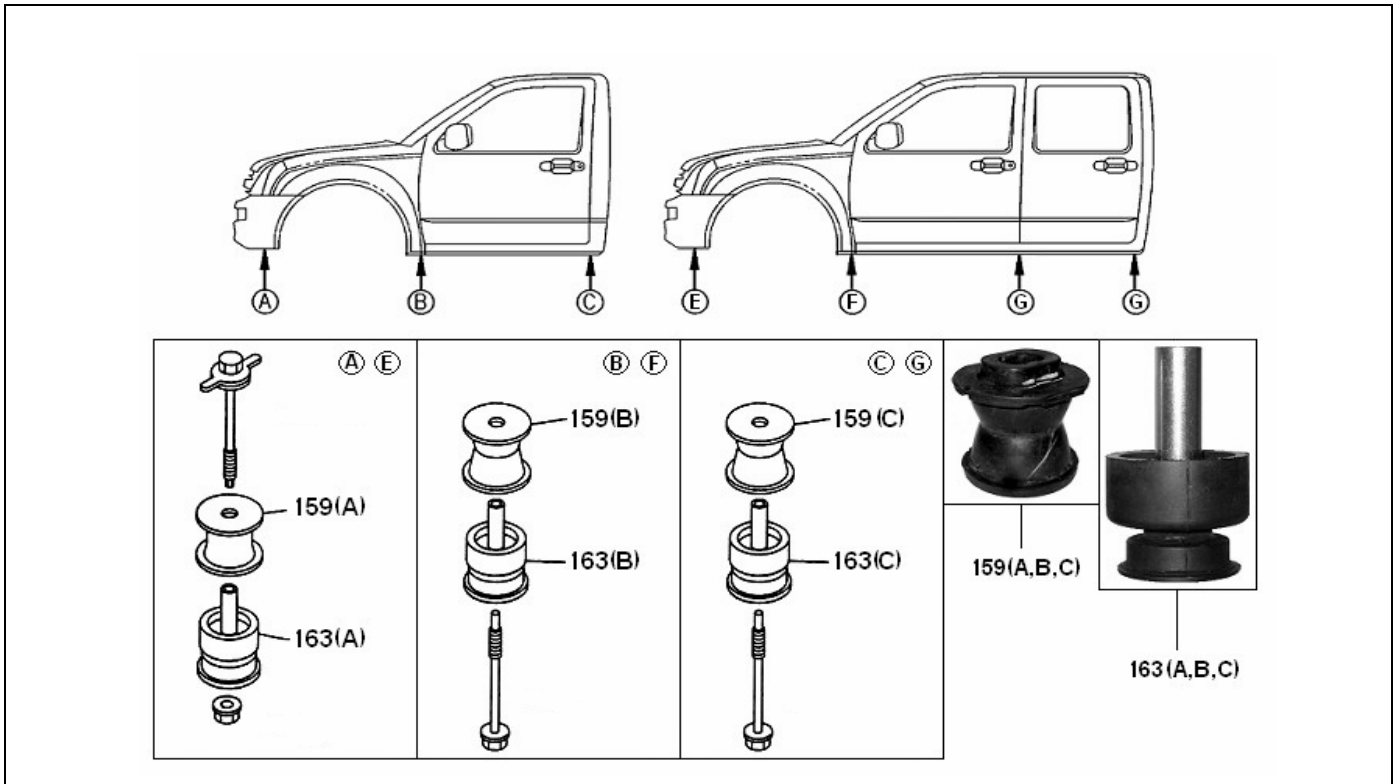


PART INFORMATION

No : 030 / IAMI / PM / PART / VII / 2011
Tanggal : 26 Juli 2011
Perihal : RUBBER CUSHION CAB MTG IADG D-MAX

FIG.NO : 5-10 RUBBER CUSHION CAB MTG



NO	PART NUMBER	DESCRIPTION	FIG NO	KEY NO	APPLIED DATE	RETAIL	REMARKS
1	I6-97367 285-0	RUBBER; CUSHION, CAB MTG	5-10	159	0307-	29.000	A
2	I6-97367 286-0	RUBBER; CUSHION, CAB MTG	5-10	159	0307-	29.000	B, C
3	I6-98051 326-0	RUBBER; CUSHION, BODY MTG	5-10	163	0307-	25.000	A, E
4	I6-98051 327-0	RUBBER; CUSHION, BODY MTG	5-10	163	0307-	25.000	B, F
5	I6-98051 328-0	RUBBER; CUSHION, BODY MTG	5-10	163	0307-	25.000	C, G