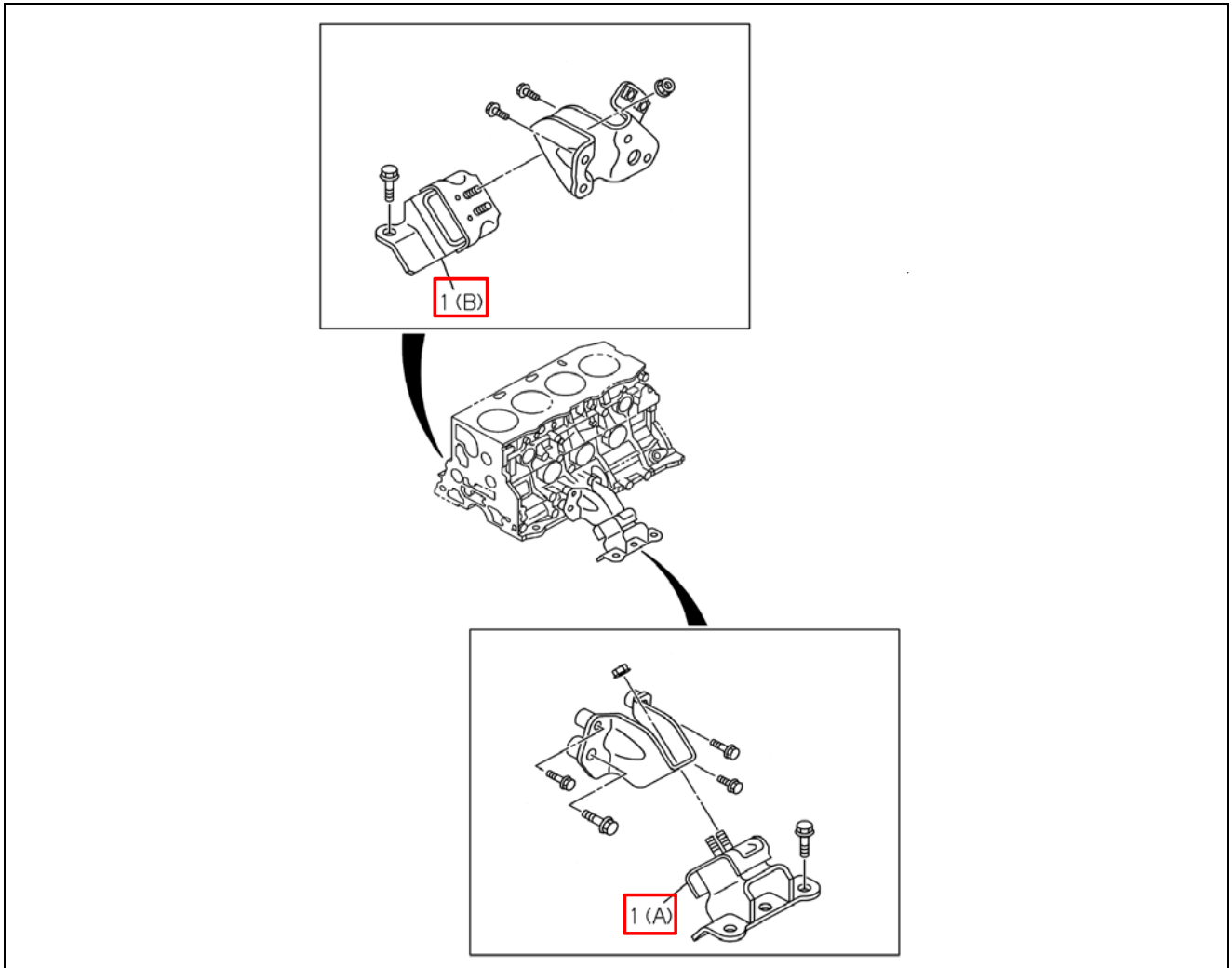


# PART INFORMATION

No : FORM/D/16/006/Rev00  
 Reff No : 030/PI/PART/IAMI/VII/20  
 Tanggal : 27 Juli 2020  
 Perihal : RUBBER; ENG FOOT, FRT TRAGA, IADG

**FIG NO : 0-22 ENGINE MOUNTING**



NO	PART NUMBER	ITC	DESCRIPTION	FIG No.	KEY NO.	APPLIED DATE	REMARKS
1	I6-98298 734-0		RUBBER; ENG FOOT,FRT,RH	0-22	1	1802-	Traga
2	I6-98298 733-0		RUBBER; ENG FOOT,FRT,LH	0-22	1	1802-	Traga