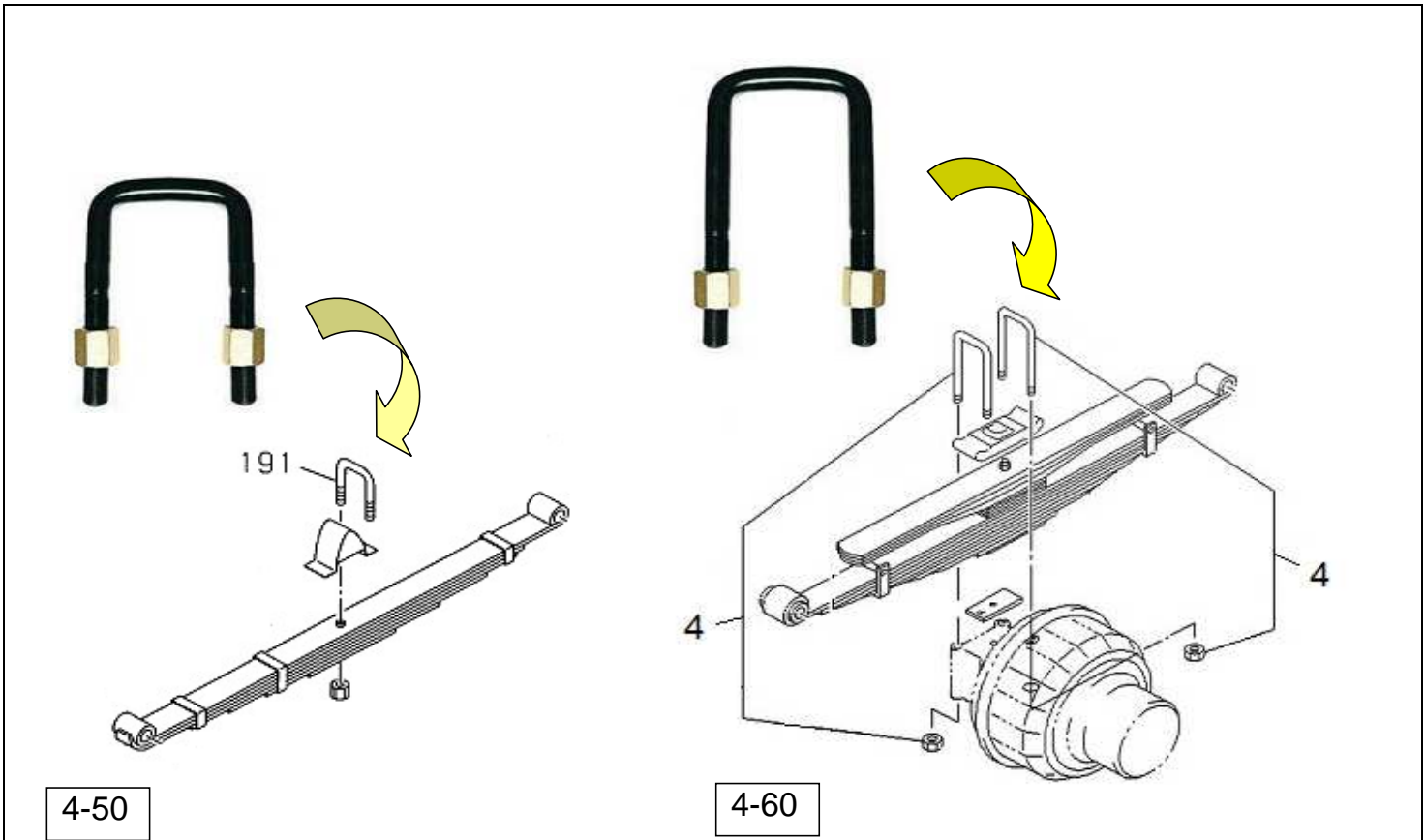


# PART INFORMATION

No : 030 / PI / PART / IAMI / VII / 2013  
Tanggal : 12 Juli 2013  
Perihal : U-BOLT FRT & REAR SUSPENSION IADG

**FIG.NO : 4-50 FRONT SUSPENSION & FIG.NO : 4-60 REAR SUSPENSION**



NO	PART NEW	DESCRIPTION	FIG No.	KEY NO.	APPLIED DATE	RETAIL	REMARKS
1	I6-66000 205-0	U-BOLT W/NUT FRT SPRING	4-50	191	1202-	22.000	4HG1-T, NKR71E2 ( M14X134X62 )
2	I6-66000 210-0	U-BOLT W/NUT RR SPRING	4-60	4	1202-	46.000	4HG1-T, NKR71E2 ( M16X320X72 )