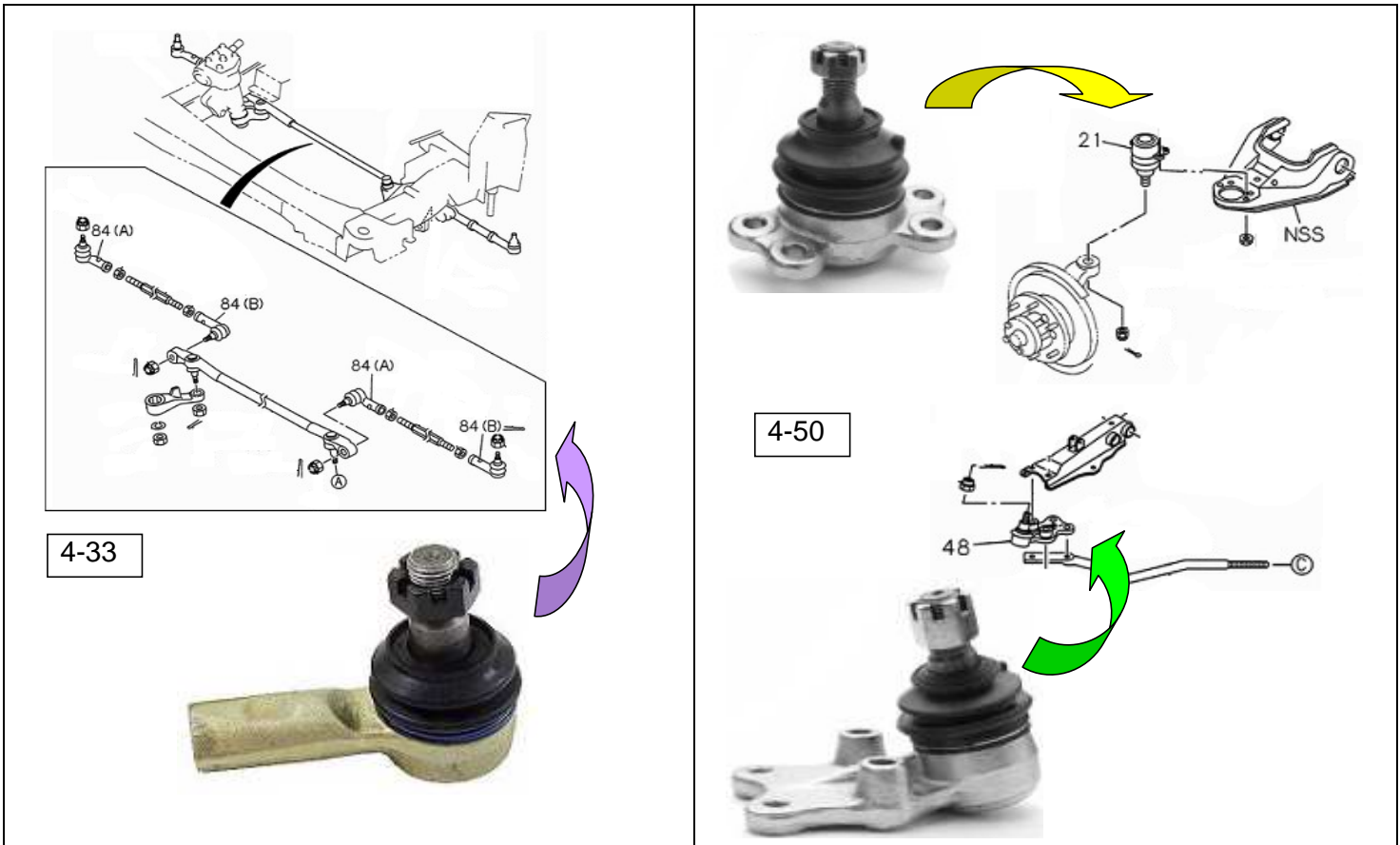


PART INFORMATION

No : 033 / PI / PART / IAMI / VII / 2013
Tanggal : 22 Juli 2013
Perihal : ROD END; TIE ROD & JOINT ASM IADG

FIG.NO : 4-33 STEERING LINKAGE & FIG.NO : 4-50 FRONT SUSPENSION



NO	PART NEW	DESCRIPTION	FIG No.	KEY NO.	APPLIED DATE	RETAIL	REMARKS
1	16-97957 902-0	ROD END TRACK RH,TBR541	4-33	84	0008-	109.000	(RH) TBR541
2	16-97957 903-0	ROD END TRACK LH,TBR541	4-33	84	0008-	109.000	(LH) TBR541
3	16-94460 453-0	JOINT ASM UPPER TBR54/1	4-50	21	0008-	82.000	TBR52, TBR54, TBR541
4	16-94366 164-0	JOINT ASM LOWER RH TBR54	4-50	48	9009-	107.000	(RH) TBR52, TBR54
5	16-94366 165-0	JOINT ASM LOWER LH TBR54	4-50	48	9009-	58.000	(LH) TBR52, TBR54
6	16-94460 464-0	JOINT ASM LOWER TBR541	4-50	48	0008-	58.000	TBR541