

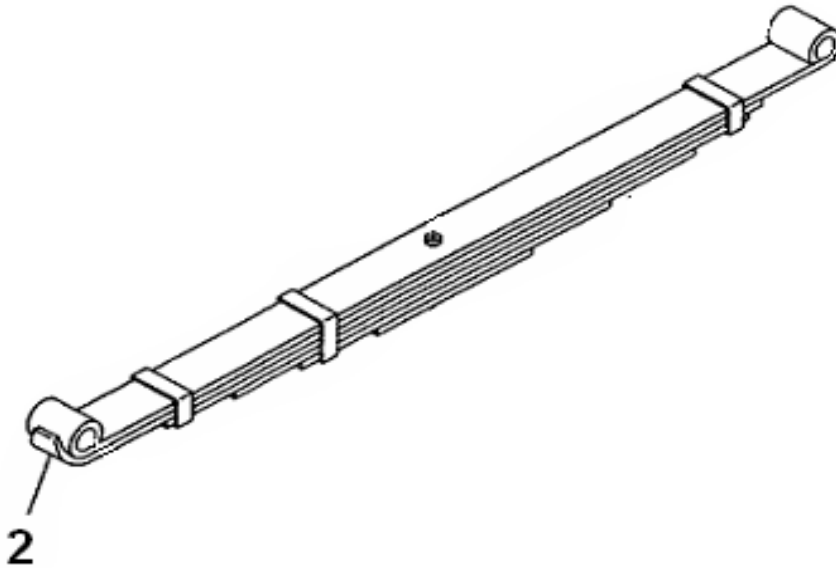
# PART INFORMATION

No : 034 / PI / PART / IAMI / VIII / 2012

Tanggal : 29 Agustus 2012

Perihal : FRONT LEAF SPRING IADG

FIG.NO : 4-50 FRONT SUSPENSION



NO	PART NUMBER	DESCRIPTION	KEY NO	QTY/U	ENGINE	RETAIL	REMARKS
1	I6-97070 010-0	SPRING ASM FR,NKR66	2	2	4HF1	950.000	NKR66