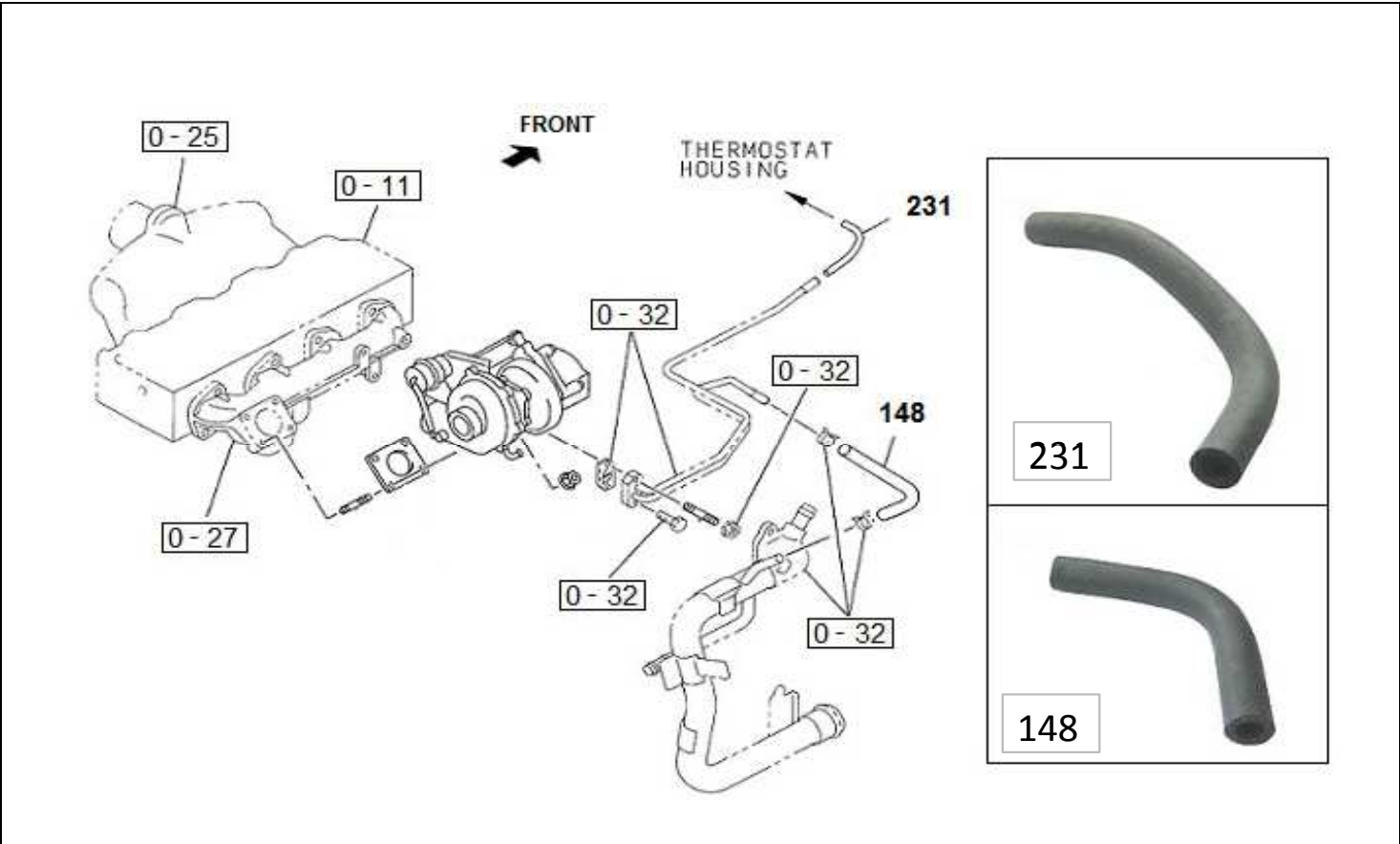


PART INFORMATION

No : 034 / PI / PART / IAMI / IV / 2014
Tanggal : 28 April 2014
Perihal : HOSE TURBO INLET & OUTLET NHR55 EURO2 IADG

FIG.NO : 0-36 TURBOCHARGER SYSTEM



NO	PART NEW	DESCRIPTION	FIG No.	KEY NO.	APPLIED DATE	RETAIL	REMARKS
1	16-97212 155-0	HOSE TURBOCHGR INL	0-36	148	0702-	11.500	NHR55 EURO2
2	16-03509 180-0	HOSE TURBOCHGR OUT	0-36	231	0702-	13.000	NHR55 EURO2