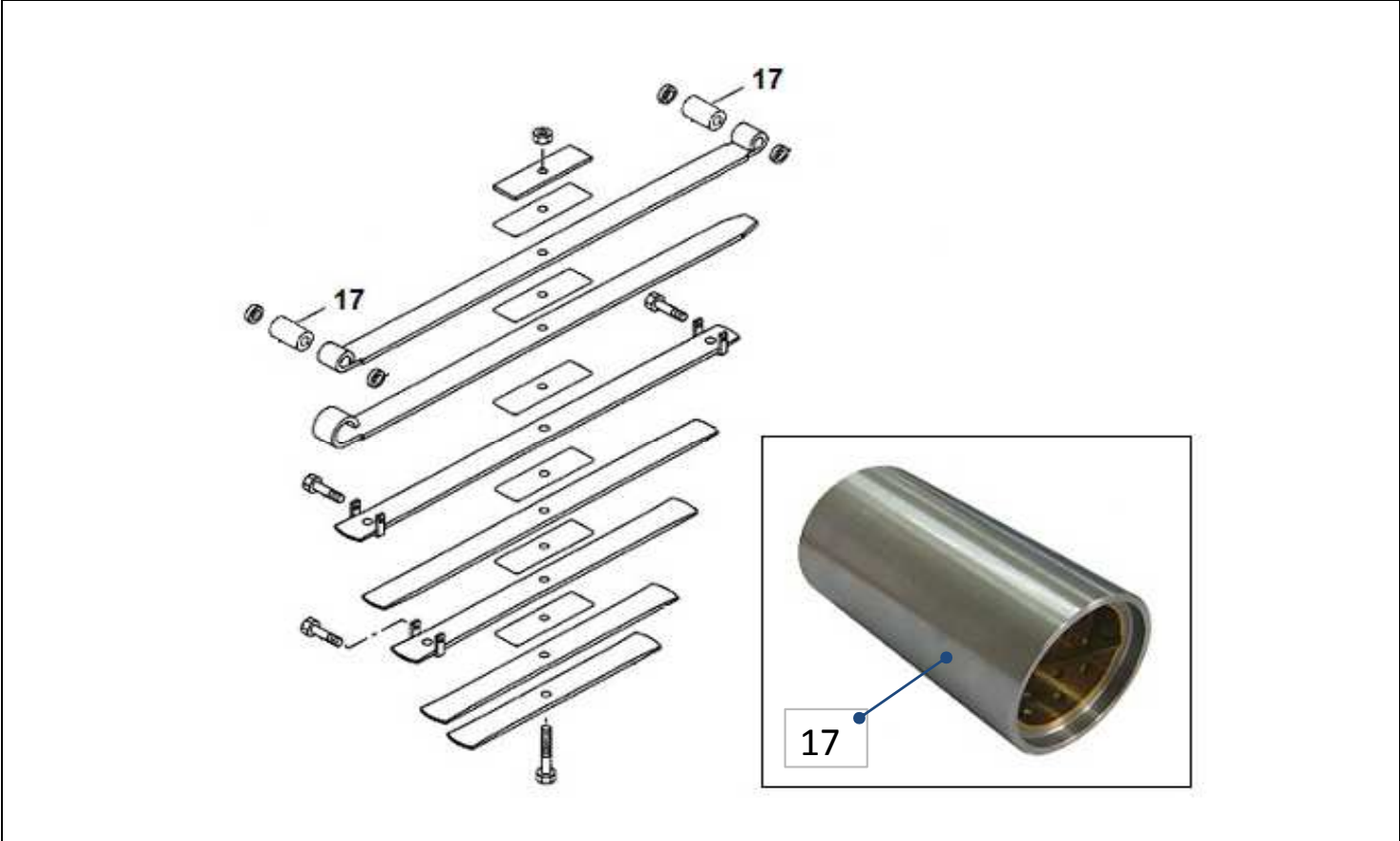


**PART INFORMATION**

No : 035 / PI / PART / IAMI / IV / 2014  
Tanggal : 28 April 2014  
Perihal : BUSHING SPRING FVZ IADG

FIG.NO : 4-55 FRONT LEAF SPRING



NO	PART NEW	DESCRIPTION	FIG No.	KEY NO.	APPLIED DATE	RETAIL	REMARKS
1	I6-65001 319-0	BUSHING SPRING	4-55	17	1104-	81.000	FVZ (6HK1)