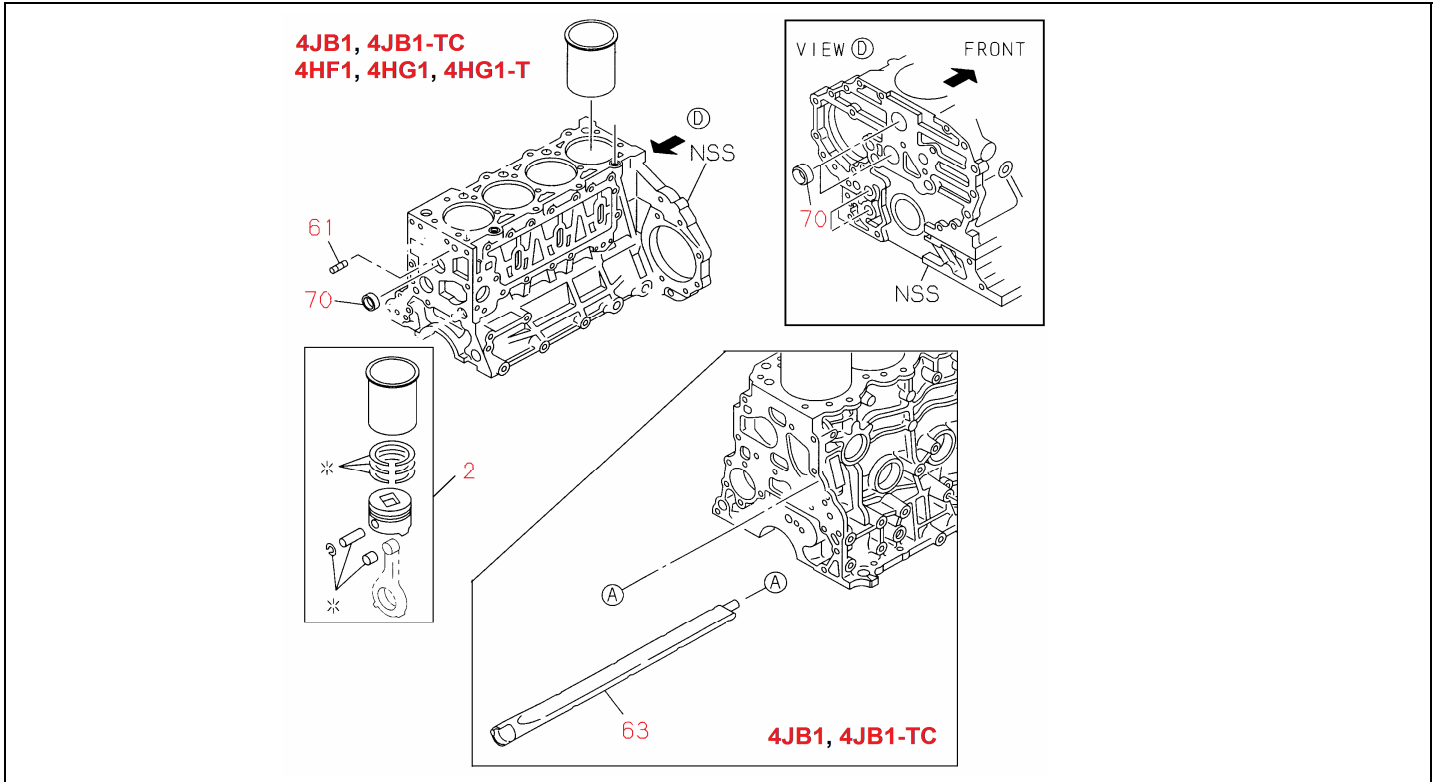


PART INFORMATION

No : 035/ IAMI / PART / VIII / 2011
Tanggal : 03 Agustus 2011
Perihal : LINER SET N Series

FIG.NO : 0-12 CYLINDER BLOCK



NO	PART NUMBER	DESCRIPTION	FIG NO	KEY NO	APPLIED DATE	RETAIL	REMARKS
1	5-87813 178-2	LINER SET ; ENG CYL, NHR55	0-12	2	9312-	1.925.000	NHR 55
2	5-87813 182-2	LINER SET ; ENG CYL, NHR55	0-12	2	9811-	1.925.000	NHR55 (GRADE 2)
3	5-87813 194-1	LINER SET ; ENG CYL, NHR55E2	0-12	2	0702-	2.050.000	GRADE=2 NHR/NKR55 EURO 2
4	5-87813 161-0	LINER SET ; ENG CYL, NKR58	0-12	2	9312-	2.850.000	NKR 58
5	5-87813 332-0	LINER SET ; ENG CYL, NKR66	0-12	2	9312-9510	2.950.000	NKR 66 (GRADE 1X)
6	5-87813 333-0	LINER SET ; ENG CYL, NKR66	0-12	2	9312-9510	2.550.000	NKR 66 (GRADE 3X)
7	5-87813 390-4	LINER SET ; ENG CYL, NKR66	0-12	2	9811-	3.325.000	NKR 66 (GRADE 1X)
8	5-87813 391-3	LINER SET ; ENG CYL, NKR66	0-12	2	9811-	3.325.000	NKR 66 (GRADE 3X)
9	5-87813 392-2	LINER SET ; ENG CYL, NKR71	0-12	2	0211-0504	2.650.000	GRADE = 1X (NKR 71)
10	5-87814 836-3	LINER SET ; ENG CYL, NKR71	0-12	2	0505-	2.650.000	GRADE = 1X (NKR 71)
11	5-87813 393-2	LINER SET ; ENG CYL, NKR71	0-12	2	0211-	2.650.000	GRADE = 3X (NKR 71)
12	5-87814 834-4	LINER SET ; ENG CYL, NKR71E2	0-12	2	0702-	3.050.000	GRADE = 1X (NKR71 EURO 2)
13	8-97135 423-0	PIN ; STRAIGHT	0-12	61	0702-	8.000	NHR55/NKR55 EURO 2
14	8-94483 674-0	PIN ; STRAIGHT	0-12	61	0702-	13.500	NKR71 EURO 2
15	8-94456 794-3	DUCT ; WATER. C/BL	0-12	63	0702-	365.000	NHR55/NKR55 EURO 2
16	5-11129 006-0	CUP ; SEALING, FRT & RR	0-12	70	0702-	8.000	NHR55/NKR55 EURO 2
17	8-97096 824-0	CUP ; SEALING, FRT & RR	0-12	70	0702-	29.000	NKR71 EURO 2