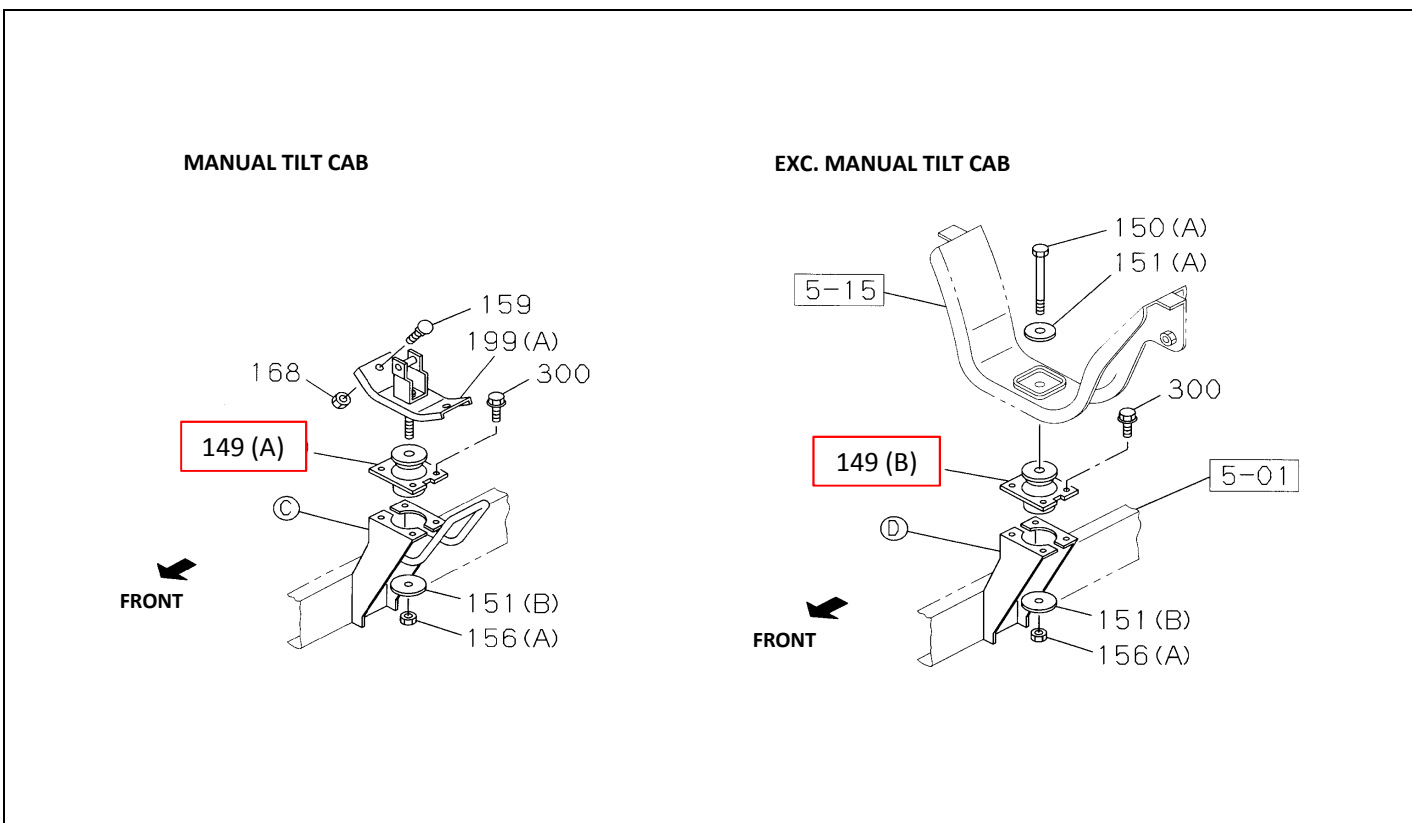


## PART INFORMATION

No : 036 / PI / PART / IAMI / IX / 15  
Tanggal : 09 September 2015  
Perihal : RUBBER MOUNTING, N#

**FIG NO : 5-10 CAB MOUNTING**



NO	PART NEW	DESCRIPTION	FIG No.	KEY NO.	APPLIED DATE	RETAIL	TYPE	REMARKS
1	18-97086 442-A	RUBBER; MTG, CAB UPR RR	5-10	149	9312-	Rp45.000	4JB1	( B ) NHR55. EXC. TILT CAB
2	18-97086 442-A	RUBBER; MTG, CAB UPR RR	5-10	149	0702-	Rp45.000	4JB1-T	( B ) NKR55. EXC. TILT CAB
3	17-22001 216-A	RUBBER; MTG, CAB UPR RR	5-10	149	0702-	Rp53.000	4JB1-T	( A ) NKR55. TILT CAB
4	17-22001 216-A	RUBBER; MTG, CAB UPR RR	5-10	149	0702-	Rp53.000	4HG1-T	( A ) NKR71. TILT CAB