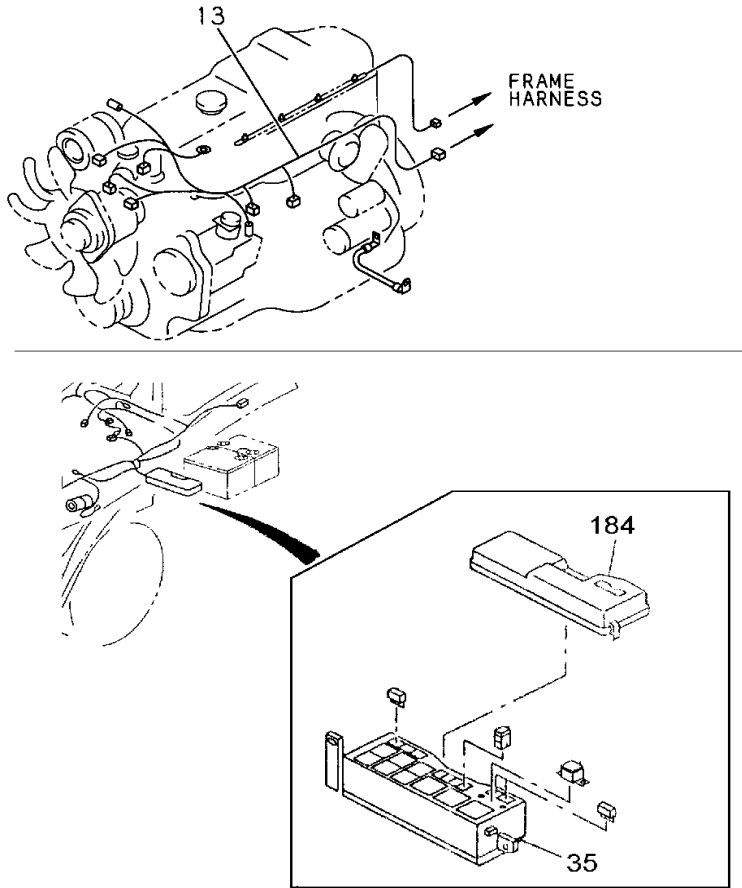


PART INFORMATION

No : 038 / PI / PART / IAMI / VIII / 2012
Tanggal : 31 Agustus 2012
Perihal : BOX & COVER RELAY N Series

FIG.NO : 8-10 WIRING HARNESS AND FUSE



NO	PART NUMBER	DESCRIPTION	KEY NO	APPLIED DATE	ENGINE	RETAIL	REMARKS
1	8-97218 750-1	HARNESS ; ENGINE	13	0702-1010	4JB1-TC	730.000	NHR55,NKR55 EURO 2
2	8-97218 750-1	HARNESS ; ENGINE	13	1011-1012	4JB1-TC	730.000	NHR55,NKR55 EURO 2 GOLD
3	8-97218 750-1	HARNESS ; ENGINE	13	1101-	4JB1-TC	730.000	NHR55,NKR55 EURO 2 GOLD
4	8-97360 784-1	HARNESS ; ENGINE	13	0702-1010	4HG1-T	810.000	NKR71 EURO 2
5	8-97360 784-1	HARNESS ; ENGINE	13	1011-	4HG1-T	810.000	NKR71 EURO 2 GOLD
6	8-97063 150-1	BOX ; RELAY & FUSE	35	9312-0701	4JB1	990.000	NHR 55
7	8-97063 150-1	BOX ; RELAY & FUSE	35	9312-0701	4BE1	990.000	NKR 58
8	8-97063 150-1	BOX ; RELAY & FUSE	35	9312-0701	4HF1	990.000	NKR 66
9	8-97377 739-0	BOX ; RELAY & FUSE	35	0702-	4JB1-TC	370.000	NHR/NKR55 EURO 2
10	8-97377 739-0	BOX ; RELAY & FUSE	35	0702-	4HG1-T	370.000	NKR71 EURO2
11	8-97063 152-1	COVER ; RELAY & FUSE BOX	184	9312-0701	4JB1	245.000	NHR 55
12	8-97063 152-1	COVER ; RELAY & FUSE BOX	184	9312-0701	4BE1	245.000	NKR 58
13	8-97063 152-1	COVER ; RELAY & FUSE BOX	184	9312-0701	4HF1	245.000	NKR 66
14	8-97377 741-0	COVER ; RELAY & FUSE BOX	184	0702-	4JB1-TC	205.000	NHR/NKR55 EURO 2
15	8-97377 741-0	COVER ; RELAY & FUSE BOX	184	0702-	4HG1-T	205.000	NKR71 EURO2