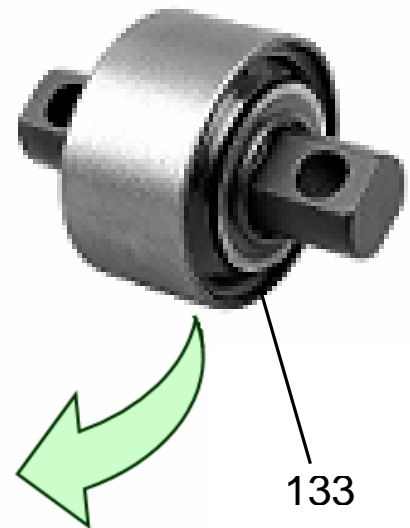
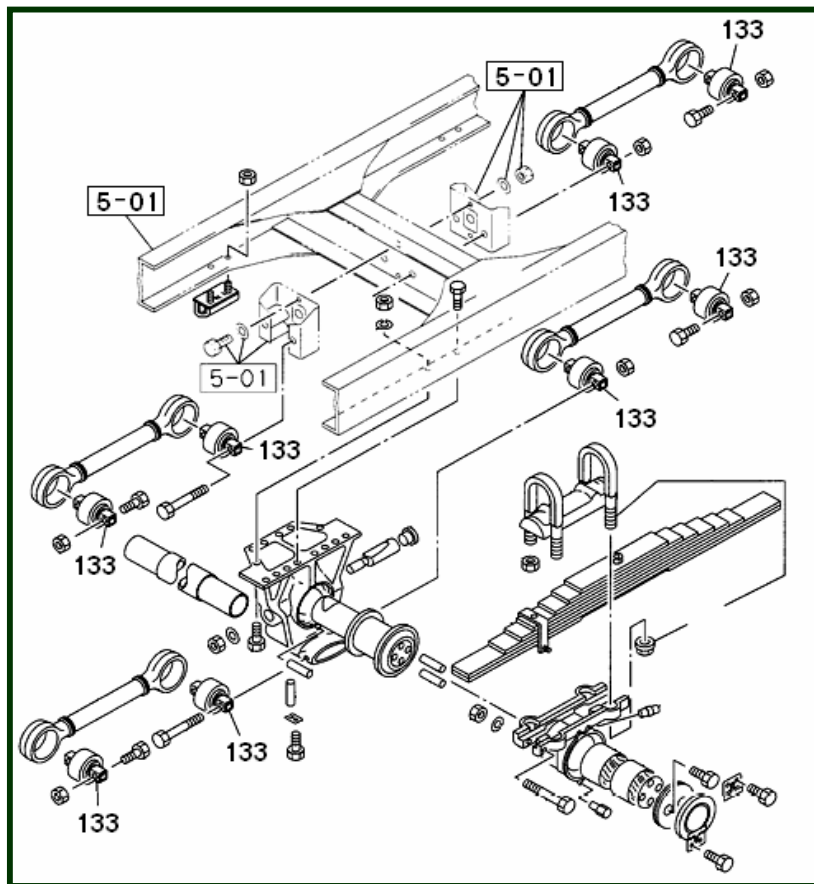


PART INFORMATION

No : 040 / IAMI / PART / VIII / 2011
Tanggal : 25 AGUSTUS 2011
Perihal : BUSHING TORQUE ROD IADG

FIG.NO : 4-60 REAR SUSPENSION



NO	PART NUMBER	DESCRIPTION	FIG NO	KEY NO	APPLIED DATE	RETAIL	REMARKS
1	16-51519 113-0	BUSHING; RUBBER TORQUE	4-60	133	1108-	169.000	FVZ, FVM, CYZ, CXZ