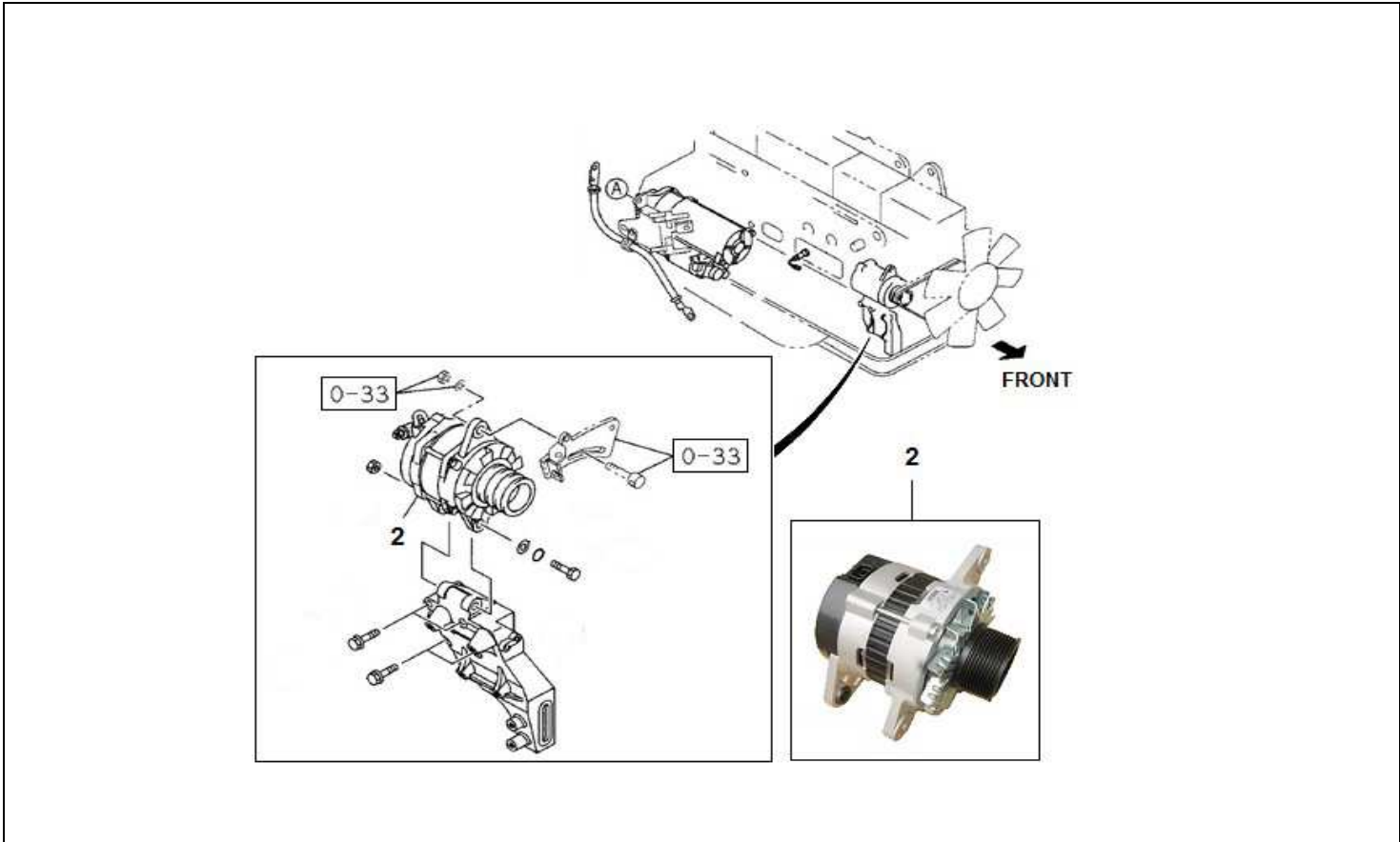


# PART INFORMATION

No : 041 / PI / PART / IAMI / IX / 2013  
 Tanggal : 23 Sept 2013  
 Perihal : GENERATOR ASM,FRR/FVZ/FVM/FVR

**FIG.NO : 0-60 ENGINE ELECTRICAL CONTROL PARTS**



| NO | PART NEW      | DESCRIPTION       | FIG No. | KEY NO. | APPLIED DATE | RETAIL    | REMARKS             |
|----|---------------|-------------------|---------|---------|--------------|-----------|---------------------|
| 1  | 6-98013 455-0 | GENERATOR ASM,FRR | 0-60    | 2       | 1103-        | 3.250.000 | (4HK1), FRR/FTR     |
| 2  | 6-98013 461-0 | GENERATOR ASM,FVZ | 0-60    | 2       | 1104-        | 3.250.000 | (6HK1), FVZ/FVM/FVR |
|    |               |                   |         |         |              |           |                     |
|    |               |                   |         |         |              |           |                     |
|    |               |                   |         |         |              |           |                     |
|    |               |                   |         |         |              |           |                     |
|    |               |                   |         |         |              |           |                     |
|    |               |                   |         |         |              |           |                     |
|    |               |                   |         |         |              |           |                     |
|    |               |                   |         |         |              |           |                     |
|    |               |                   |         |         |              |           |                     |
|    |               |                   |         |         |              |           |                     |
|    |               |                   |         |         |              |           |                     |
|    |               |                   |         |         |              |           |                     |
|    |               |                   |         |         |              |           |                     |
|    |               |                   |         |         |              |           |                     |
|    |               |                   |         |         |              |           |                     |