

# PART INFORMATION

No : 041 / PI / PART / IAMI / IX / 2012  
Tanggal : 12 Sept 2012  
Perihal : INJECTION PUMP N Series

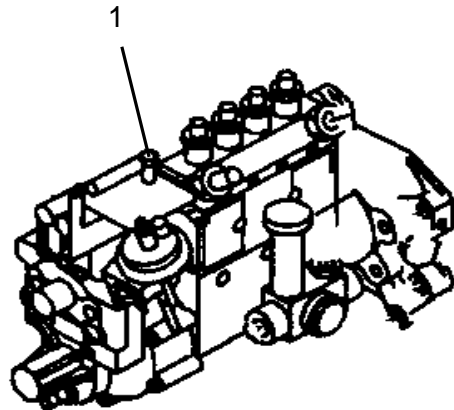
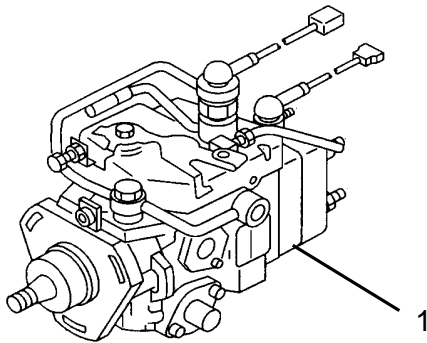
**FIG.NO : 0-40 FUEL INJECTION SYSTEM**



NHR55/NKR55



NKR71-T/THD



NO	PART NUMBER	DESCRIPTION	KEY NO	ENGINE	APPLIED DATE	RETAIL	REMARKS
1	8-97204 201-9	PUMP ASM ; INJ	1	4JA1-TC	1011-1207	27.400.000	(OLD) NHR55 T/B, NKR55 T/B, NKR55-B (LWB), NKR55L-T
2	8-98207 281-0	PUMP ASM ; INJ	1	4JA1-TC	1208-	#N/A	(NEW) NHR55 T/B, NKR55 T/B, NKR55-B (LWB), NKR55L-T
3	8-97178 485-5	PUMP ASM ; INJ	1	4HG1-T	1011-1112	47.700.000	(OLD) NKR71T/THD EURO2
4	8-98192 953-0	PUMP ASM ; INJ	1	4HG1-T	1201-	#N/A	(NEW) NKR71T/THD EURO2
Note : (#N/A) --> informasi harga menyusul.							