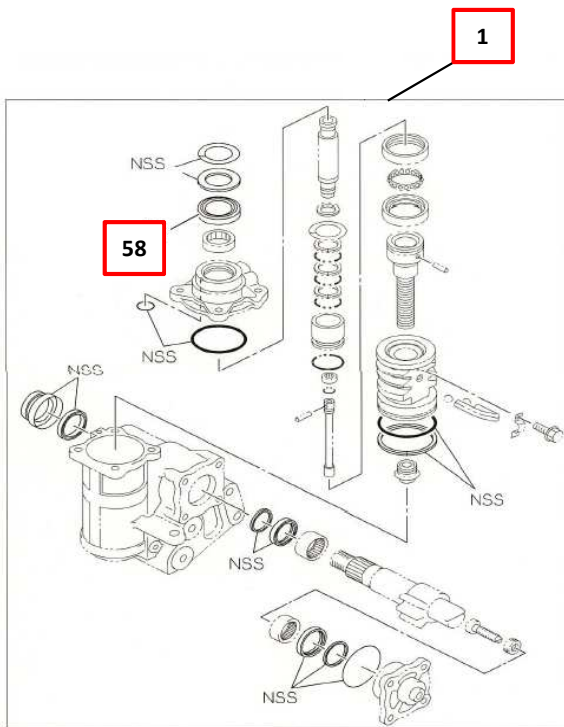


PART INFORMATION

No : 041 / PI / PART / IAMI / XI / 15
Tanggal : 12 November 2015
Perihal : REPAIR KIT & SEAL UPPER, N-SERIES

FIG.NO : 4-40 STEERING UNIT



1 - REPAIR KIT



58 - SEAL UPPER



NO	PART NEW	DESCRIPTION	FIG No.	KEY NO.	APPLIED DATE	RETAIL	REMARKS
1	I8-97218 602-1	REPAIR KIT; STRG UNIT	4-40	1	1309-	Rp1.150.000	4JB1; 4HG1
2	I8-97147 040-0	SEAL; OIL SHAFT STRG UNIT	4-40	58	1309-	Rp74.000	4JB1; 4HG1

Note :

- Seal Upper / Seal Oil Shaft, termasuk di dalam Repair Kit.
- Seal Upper / Seal Oil Shaft, dijual dissasy dengan part number I8-97147 040-0.
- Part tersebut hanya dapat digunakan di Steering Unit dengan part number I8-98251 945-0.

DESC	STEERING UNIT	
	I8-97356 103-8	I8-98251 945-0
REPAIR KIT	I8-97356 138-0	I8-97218 602-1
SEAL UPPER	I8-97081 746-0	I8-97147 040-0
HOUSING SCREW	I8-97356 134-1	I8-98112 931-3