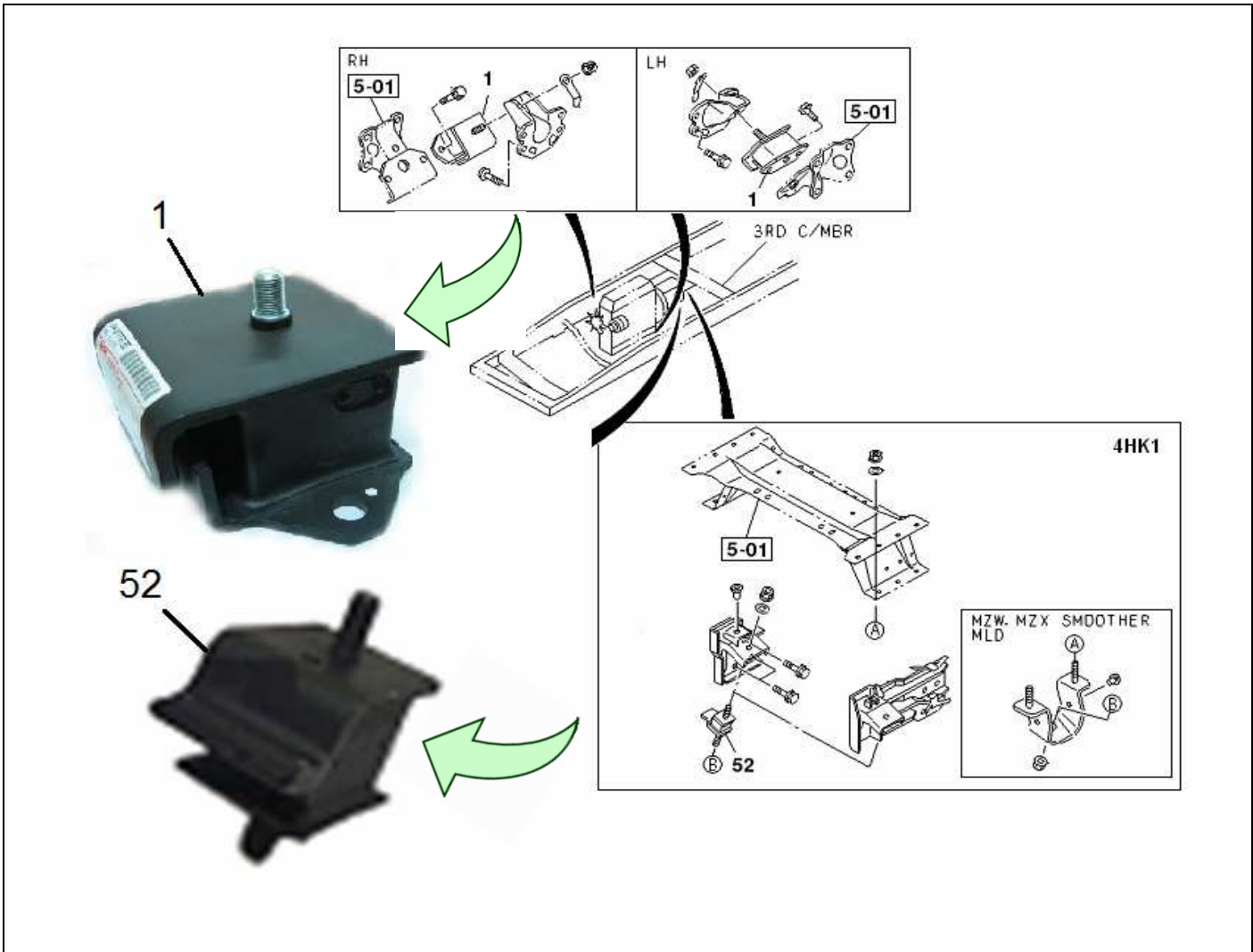


PART INFORMATION

No : 042 / IAMI / PART / IX / 2011
Tanggal : 30 Sept 2011
Perihal : ENGINE MOUNTING IADG

FIG.NO : 0-22 ENGINE MOUNTING



NO	PART NUMBER	DESCRIPTION	FIG NO	KEY NO	APPLIED DATE	RETAIL	REMARKS
1	I6-53215 172-0	RUBBER; ENG FOOT,FRT	0-22	1		170.000	4HK1/6HK1
2	I6-97039 277-0	RUBBER; CUSH,ENG MTG,RR	0-22	52		74.000	4HK1