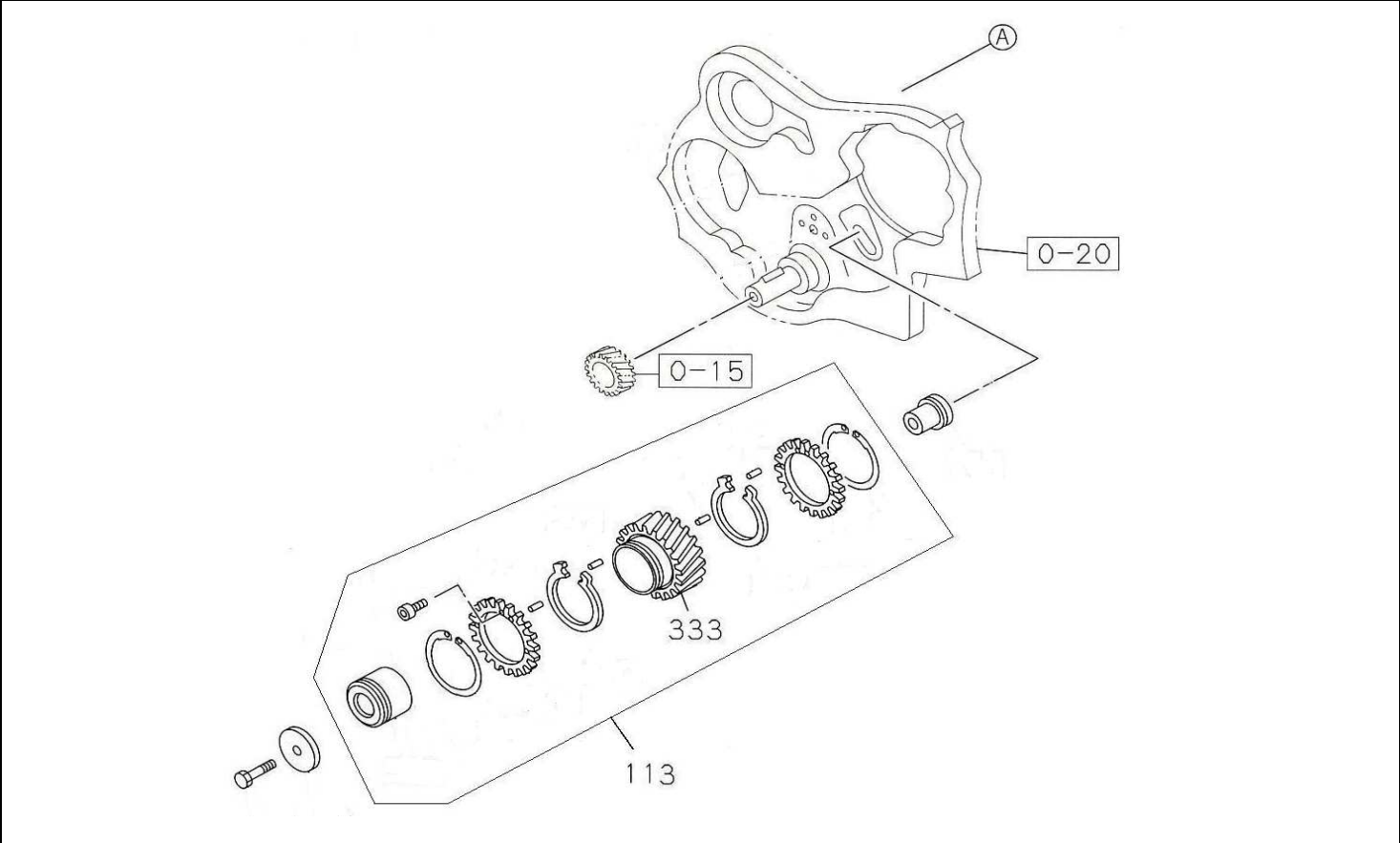


PART INFORMATION

No : 043 / PI / PART / IAMI / IX / 2013
Tanggal : 24 Sept 2013
Perihal : GEAR ASM; IDLE 4JA1-T

FIG.NO : 0-14 CAMSHAFT AND VALVE



NO	PART NEW	DESCRIPTION	FIG No.	KEY NO.	APPLIED DATE	RETAIL	REMARKS
1	8-97139 001-A	GEAR ASM; IDLE	0-14	113	0612-	1.475.000	(4JA1-T), TBR54PU, TBR541
2	8-97240 018-2	GEAR ; IDLE, MAIN	0-14	333	0612-	1.500.000	(4JA1-T), TBR54PU, TBR541

Prepared by : Eddy Pramono , 24 Sept 2013