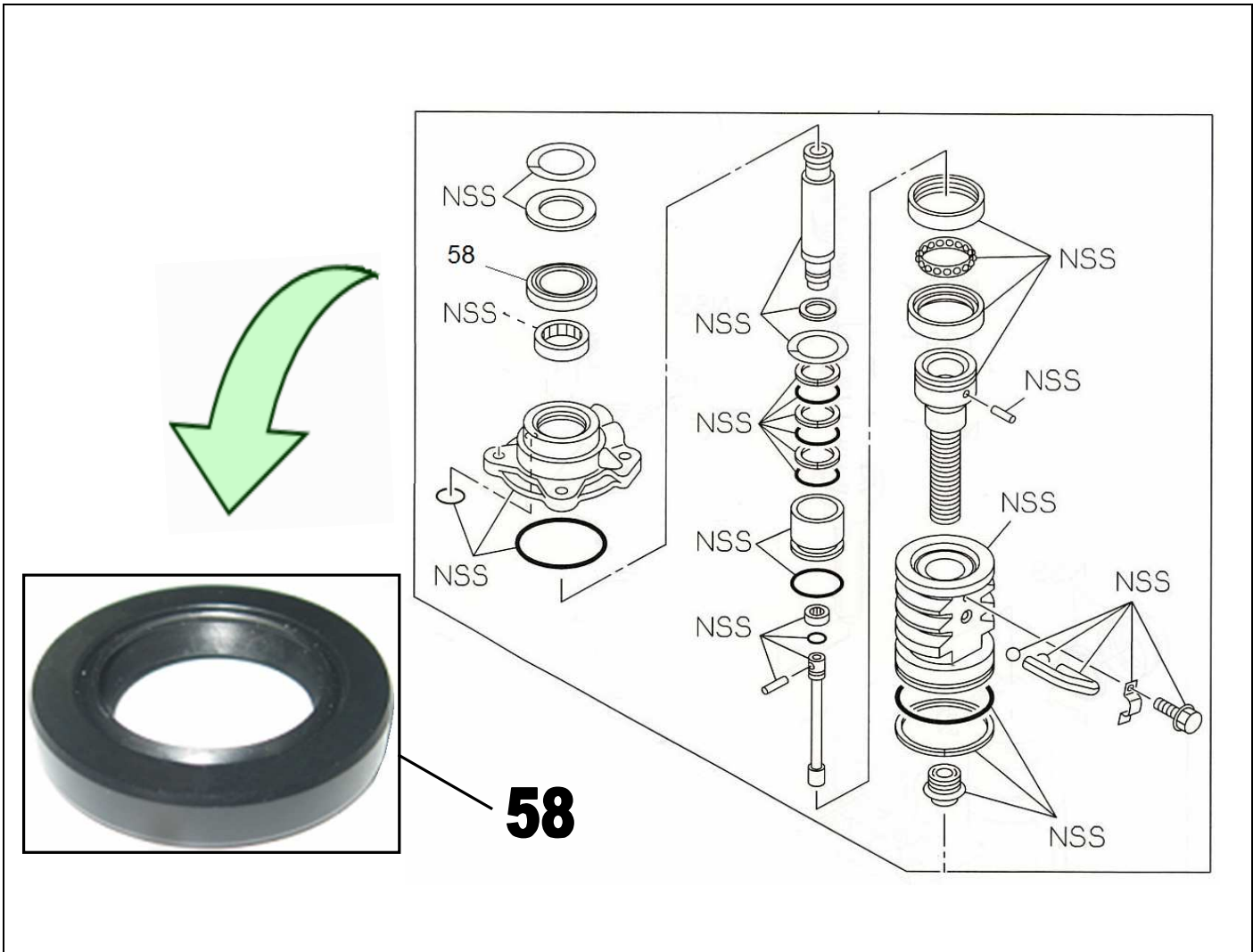


PART INFORMATION

No : 043 / IAMI / PART / X / 2011
 Tanggal : 03 Oktober 2011
 Perihal : SEAL UPPER STEERING DISASSY

FIG.NO : 4-40 STEERING UNIT



NO	PART NUMBER	DESCRIPTION	FIG NO	KEY NO	APPLIED DATE	RETAIL	REMARKS
1	16-97081 746-0	RUBBER, ENG FOOT, FRT SEAL UPPER STEERING	4-40	58	1110-	23.000	N Series