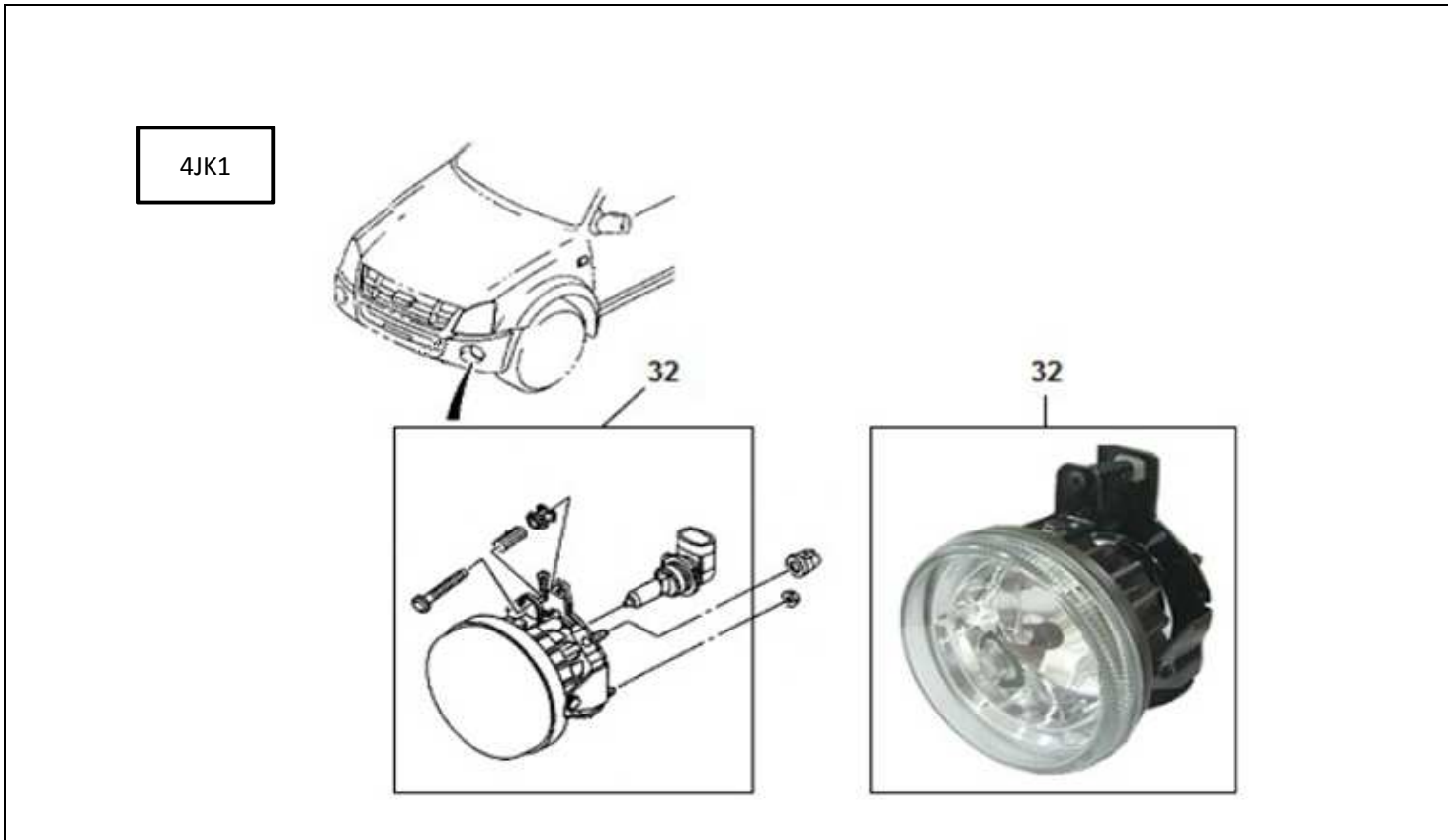


# PART INFORMATION

No : 045 / PI / PART / IAMI / VI / 14  
 Tanggal : 30 Juni 2014  
 Perihal : FOG LAMP D-MAX

**FIG.NO : 8-01 LAMP; FRONT AND FRONT SIDE**



NO	PART NEW	DESCRIPTION	FIG No.	KEY NO.	APPLIED DATE	RETAIL	REMARKS
1	16-98169 680-0	FOG LAMP	8-01	32	1206-	300.000	D-MAX (4JK1)