

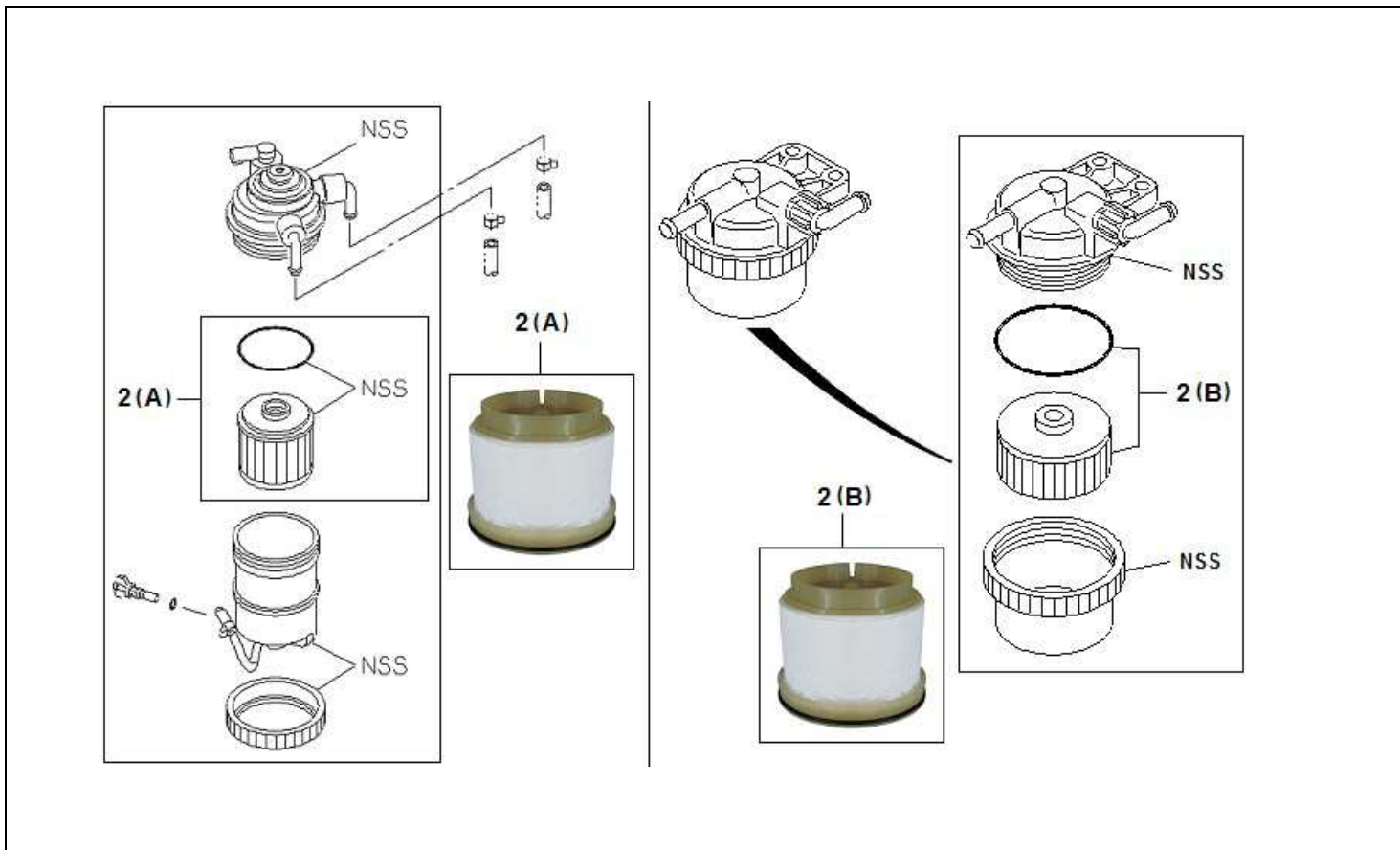
PART INFORMATION

No : 045 / PI / PART / IAMI / IX / 2013

Tanggal : 26 Sept 2013

Perihal : FUEL FILTER D-MAX IADG

FIG.NO : 0-41 FUEL FILTER



NO	PART NEW	DESCRIPTION	FIG No.	KEY NO.	APPLIED DATE	RETAIL	REMARKS
1	16-98159 693-0	FUEL FILTER	0-41	2 (A)	1301-	45.000	D-MAX (4JK1)
2	16-98194 119-0	FUEL FILTER	0-41	2 (B)	1301-	45.000	D-MAX (4JK1)