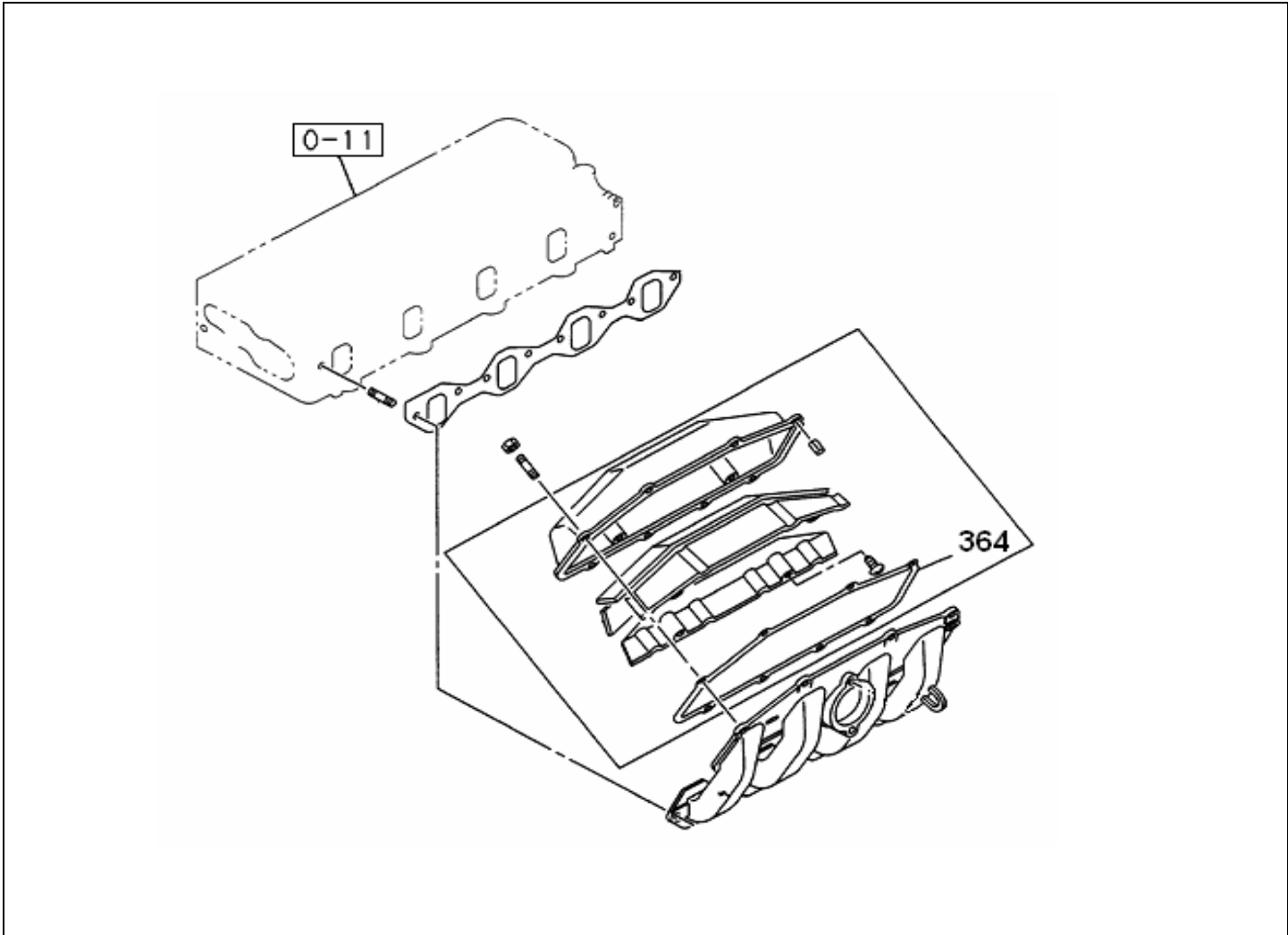


# PART INFORMATION

No : 047 / IAMI / PM / PART / XI / 2011  
 Tanggal : 25 Nov 2011  
 Perihal : GASKET INL MANIFOLD IADG

**FIG.NO : 0-25 INLET MANIFOLD**



NO	PART NUMBER	DESCRIPTION	FIG NO	KEY NO	APPLIED DATE	RETAIL	REMARKS
1	I8-97078 152-A	GASKET INL,MANIFOLD	0-25	364	0008-	31.000	TBR541 EXC. TURBOCHARGER