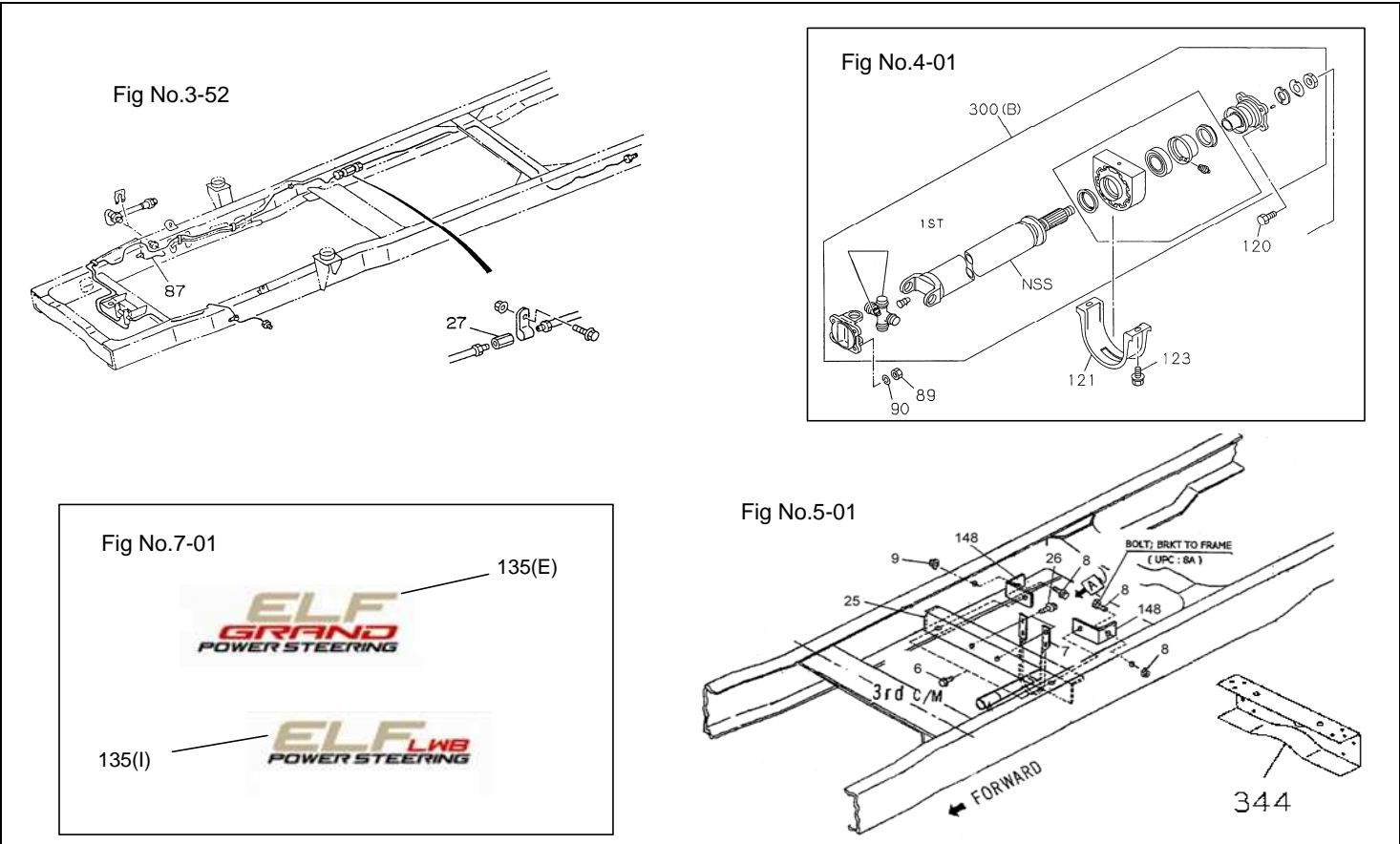


PART INFORMATION

No : 047 / PI / PART / IAMI / X / 2013
Tanggal : 21 Okt 2013
Perihal : NKR55T CC - LWB

FIG.NO : 4-01 PROPELLER SHAFT



NO	PART NEW	DESCRIPTION	FIG No.	KEY NO.	APPLIED DATE	RETAIL	REMARKS
1	0-92107 005-0	UNION ; BRAKE PIPE	3-52	27	1309-	38.000	NKR55-T (LWB) E2
2	8-97211 669-0	SHAFT ASM; PROP	4-01	300 (B)	1309-	7.450.000	NKR55-T (LWB) E2
3	8-97035 623-1	RETAINER CUSHION	4-01	121	1309-	103.000	NKR55-T (LWB) E2
4	0-50641 025-0	BOLT; HSG TO HD	4-01	123	1309-	9.000	NKR55-T (LWB) E2
5	8-98056 948-0	BOLT; YOKE TO RR AXLE	4-01	120	1309-	10.500	NKR55-T (LWB) E2
6	8-98056 949-0	NUT; YOKE TO RR AXLE	4-01	89	1309-	7.500	NKR55-T (LWB) E2
7	0-91510 610-0	WASHER; LK,BRID	4-01	90	1309-	3.500	NKR55-T (LWB) E2
8	7-76509 209-A	HANGER PROP;SHAFT	5-01	7	1309-	25.000	NKR55-T (LWB) E2
9	7-04008 016-A	HEXAGON BOLT; M8X16	5-01	26	1309-	1.000	NKR55-T (LWB) E2
10	7-98100 200-A	HEX; FLANGE NUT (M8)	5-01	9	1309-	1.000	NKR55-T (LWB) E2
11	7-21140 211-A	CROSSMEMBER; 4TH	5-01	344	1309-	181.000	NKR55-T (LWB) E2
12	7-45115 231-A	STICKER ELFGRAND POWER STE	7-01	135(E)	1309-	4.500	NKR55-T (LWB) E2
13	7-45115 233-A	STICKER ELF LWB POWER STEEP	7-01	135(I)	1309-	4.000	NKR55-T (LWB) E2