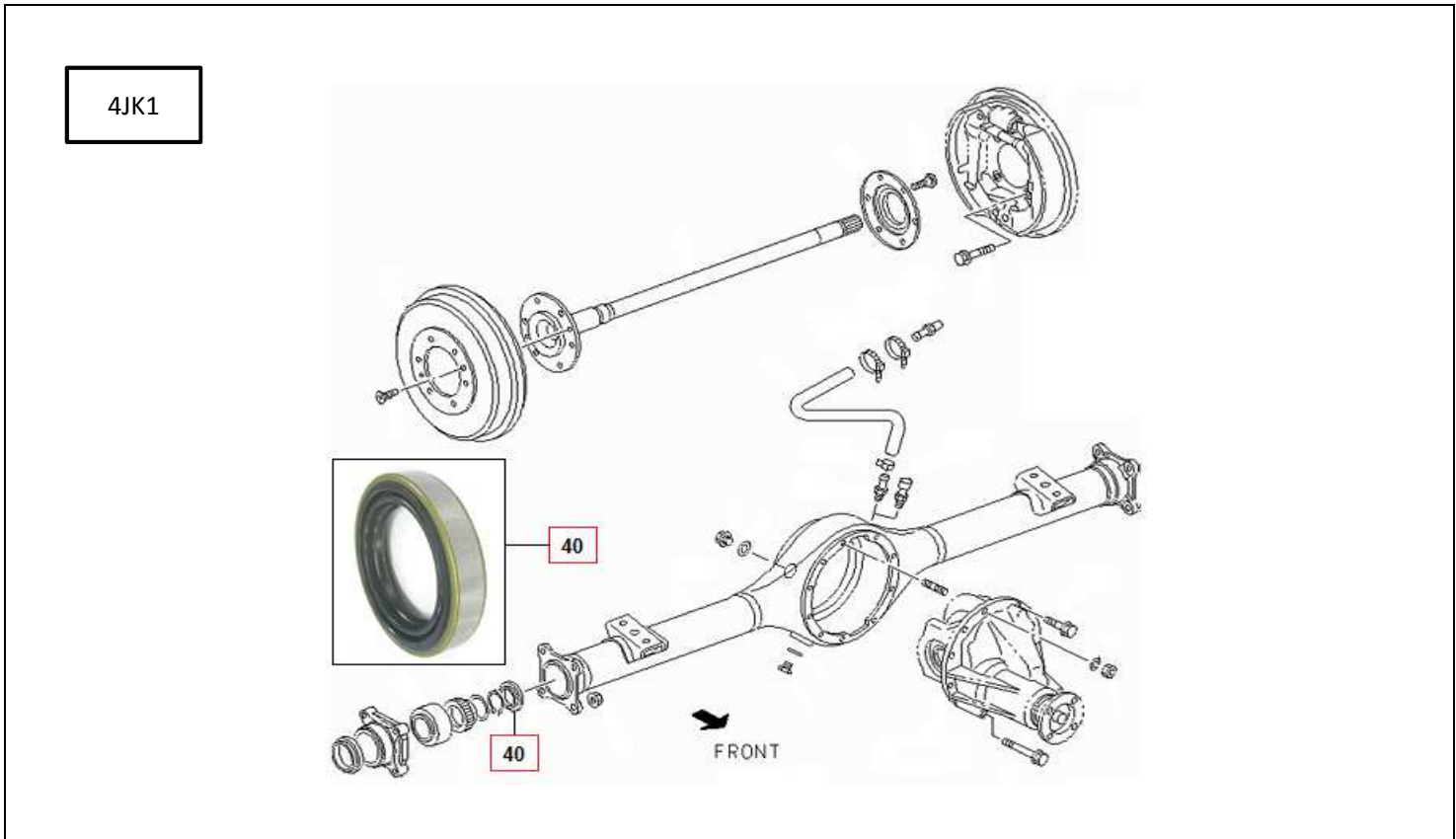


PART INFORMATION

No : 047 / PI / PART / IAMI / VII / 14
Tanggal : 10 Juli 2014
Perihal : SEAL OIL REAR AXLE D-MAX

FIG.NO : 4-20 REAR AXLE CASE AND SHAFT



NO	PART NEW	DESCRIPTION	FIG No.	KEY NO.	APPLIED DATE	RETAIL	REMARKS
1	16-97323 297-0	SEAL OIL REAR AXLE	4-20	40	1206-	Rp9.000	D-MAX (4JK1)