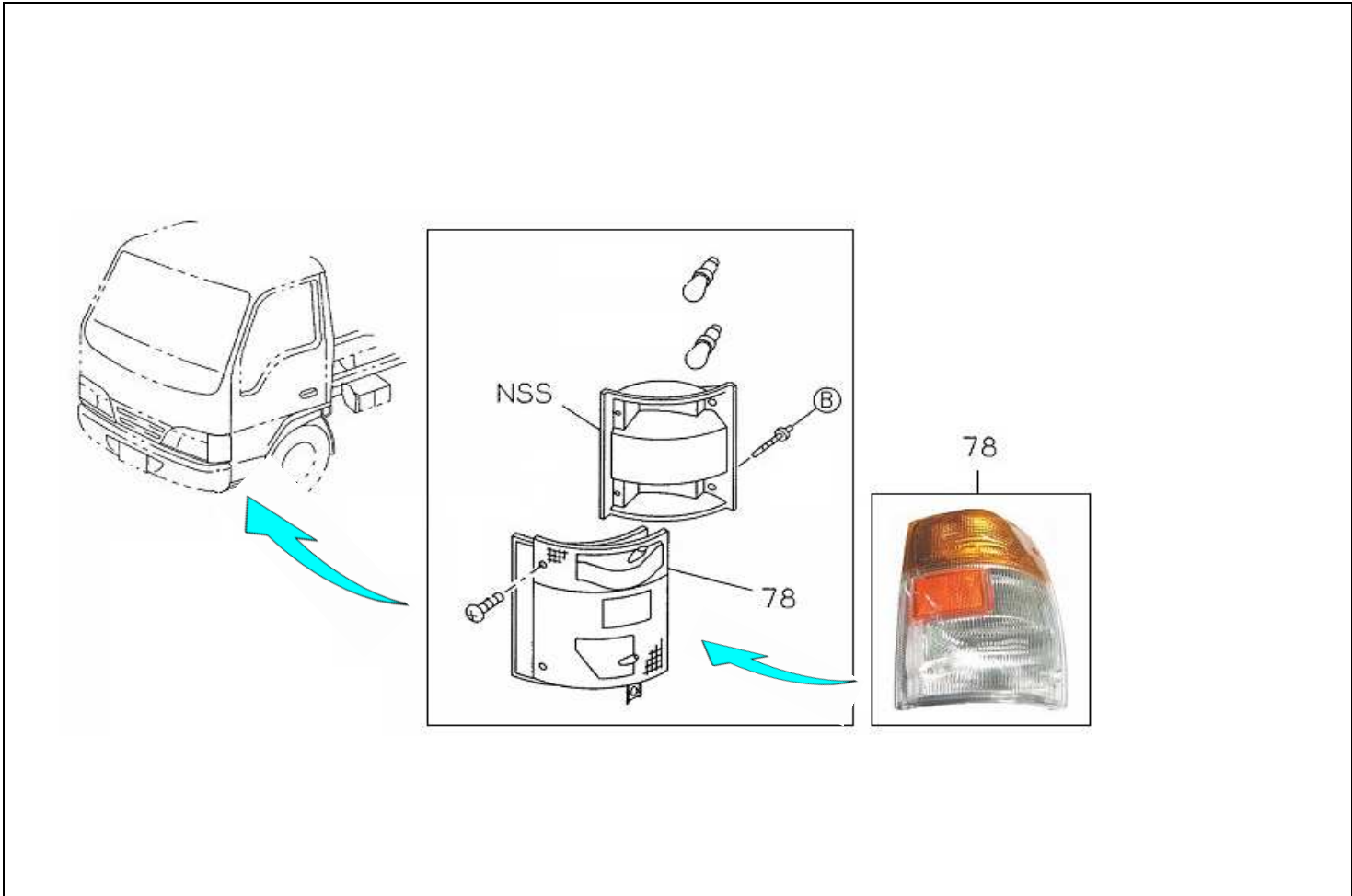


PART INFORMATION

No : 048 / PI / PART / IAMI / X / 2012
Tanggal : 10 Okt 2012
Perihal : LENS FRONT COMB N#

FIG.NO : 8-01 LAMP; FRONT AND FRONT SIDE



NO	PART NUMBER	DESCRIPTION	KEY NO	APPLIED DATE	ENGINE	RETAIL	REMARKS
1	6-97855 128-0	LENS FRONT COMB RH,N#	78	9312-	4JB1 , 4HG1	29.000	N Series
2	6-97855 131-0	LENS FRONT COMB LH,N#	78	9312-	4JB1 , 4HG1	29.000	N Series

Prepared by : Eddy Pramono , 10 Okt 2012