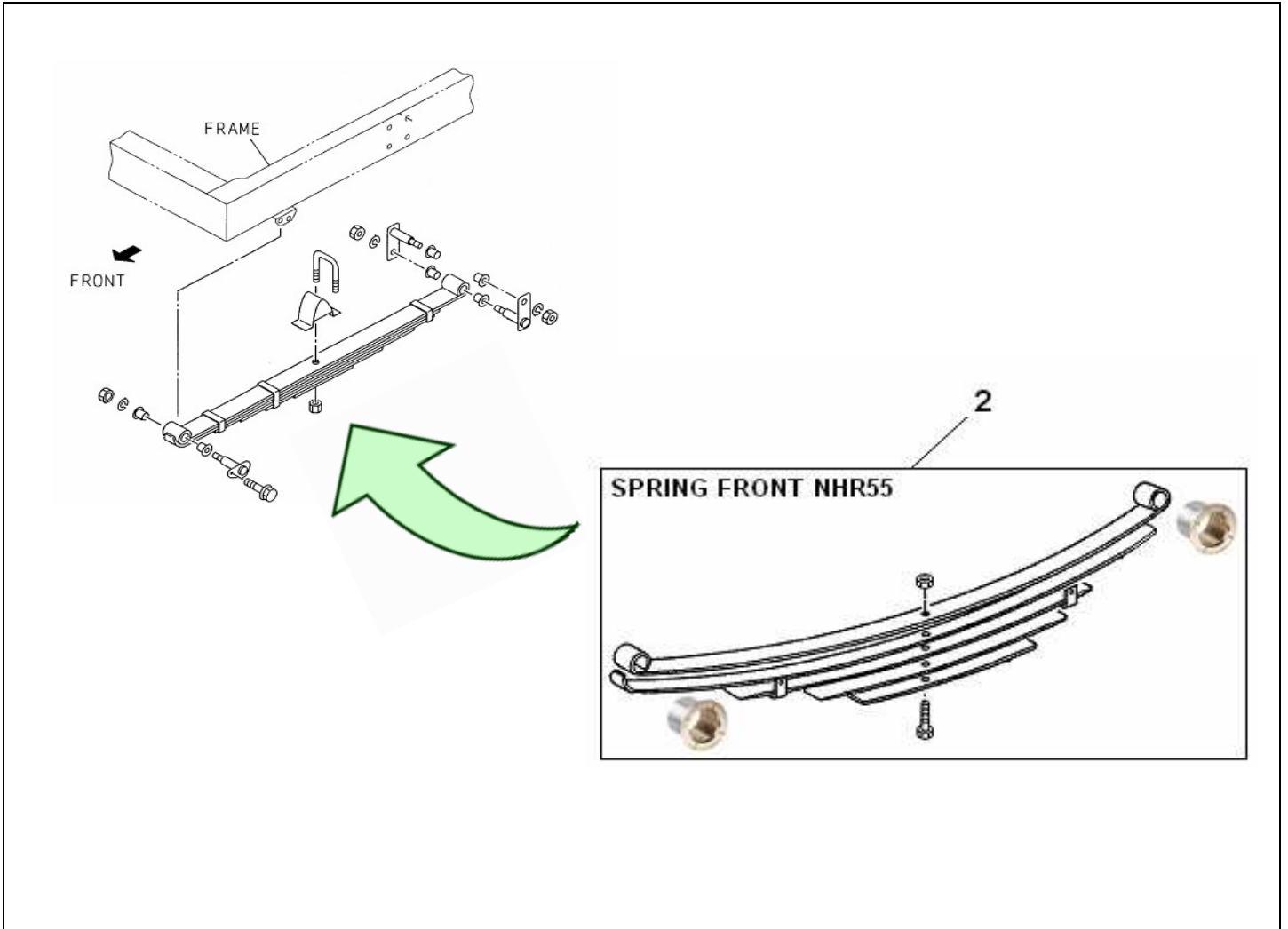


PART INFORMATION

No : 048 / IAMI / PM / PART / XI / 2011
 Tanggal : 25 Nov 2011
 Perihal : SPRING ASM FRONT IADG

FIG.NO : 4-50 FRONT SUSPENSION



NO	PART NUMBER	DESCRIPTION	FIG NO	KEY NO	APPLIED DATE	RETAIL	REMARKS
1	I6-65000 203-0	SPRING ASM FRT,NHR55 C/C	4-50	2	9801-	490.000	NHR55 TRUCK