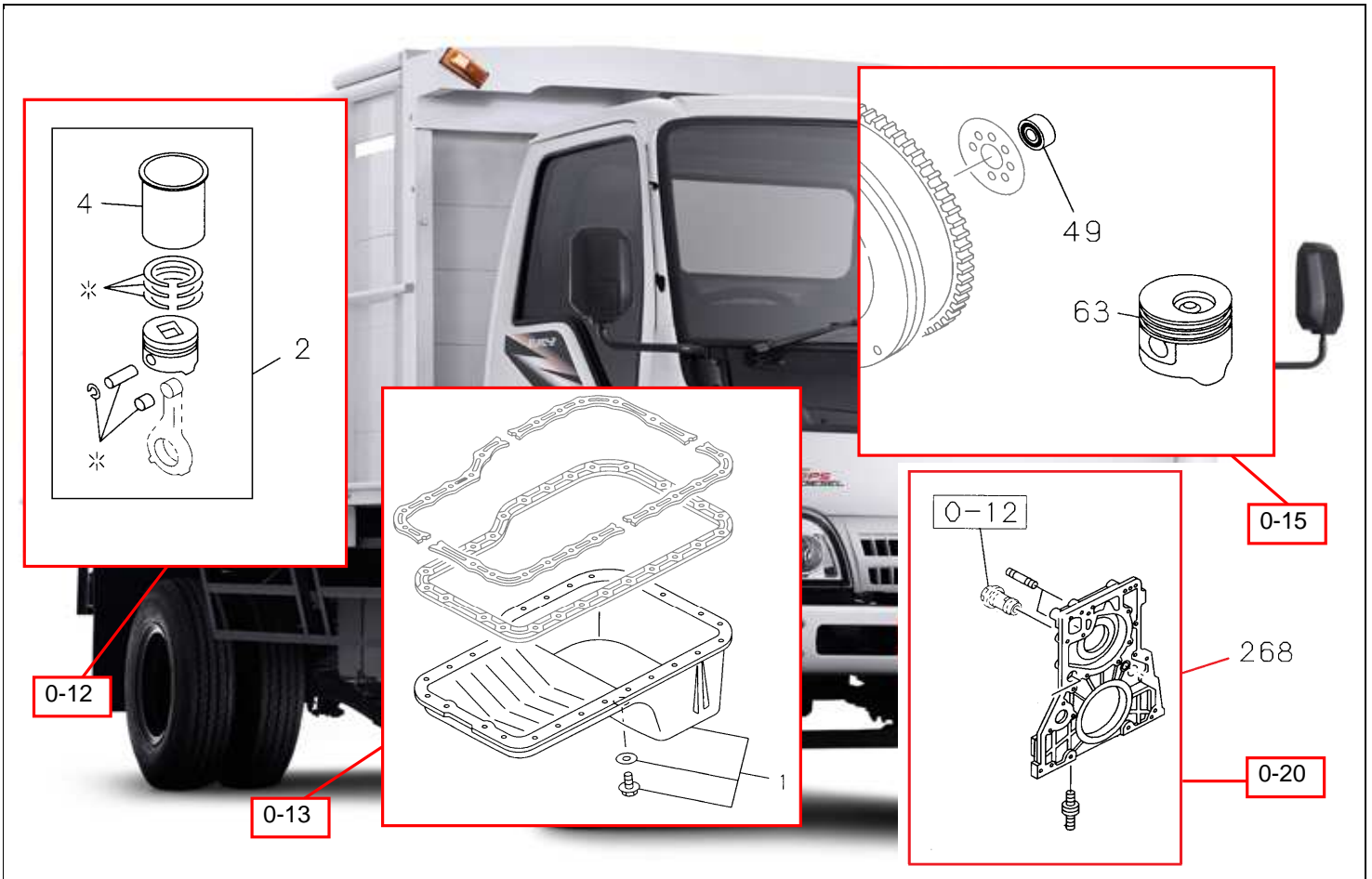


PART INFORMATION

No : 050 / PI / PART / IAMI / X / 2012
Tanggal : 11 Okt 2012
Perihal : NEW PART NUMBER N Series



NO	NEW PARTNO	DESCRIPTION	FIG No.	KEY NO.	ENGINE	RETAIL	REMARKS
1	5-87816 317-0	LINER SET ; ENG CYL	0-12	2	4HG1-T	#N/A	GRADE = 1X (NKR71 E2), (5-87814 834-6 Old)
2	8-98203 596-0	PAN ASM ; OIL	0-13	1	4HG1-T	#N/A	NKR71 EURO 2 (8-97385 249-0 Old)
3	8-98208 431-A	BEARING;PILOT,TO GEAR SHF	0-15	49	4HG1-T	#N/A	NKR71 EURO 2 (8-97258 239-0 Old)
4	8-98209 746-0	PISTON ; STANDARD	0-15	63	4HG1	600.000	NKR71 (8-97183 666-1 Old)
5	8-98039 931-2	COVER ASM FT	0-20	268	4HG1-T	2.000.000	NKR71 EURO2 (8-97259 416-0 Old)
		Note : (#N/A) ---> harga menyusul					