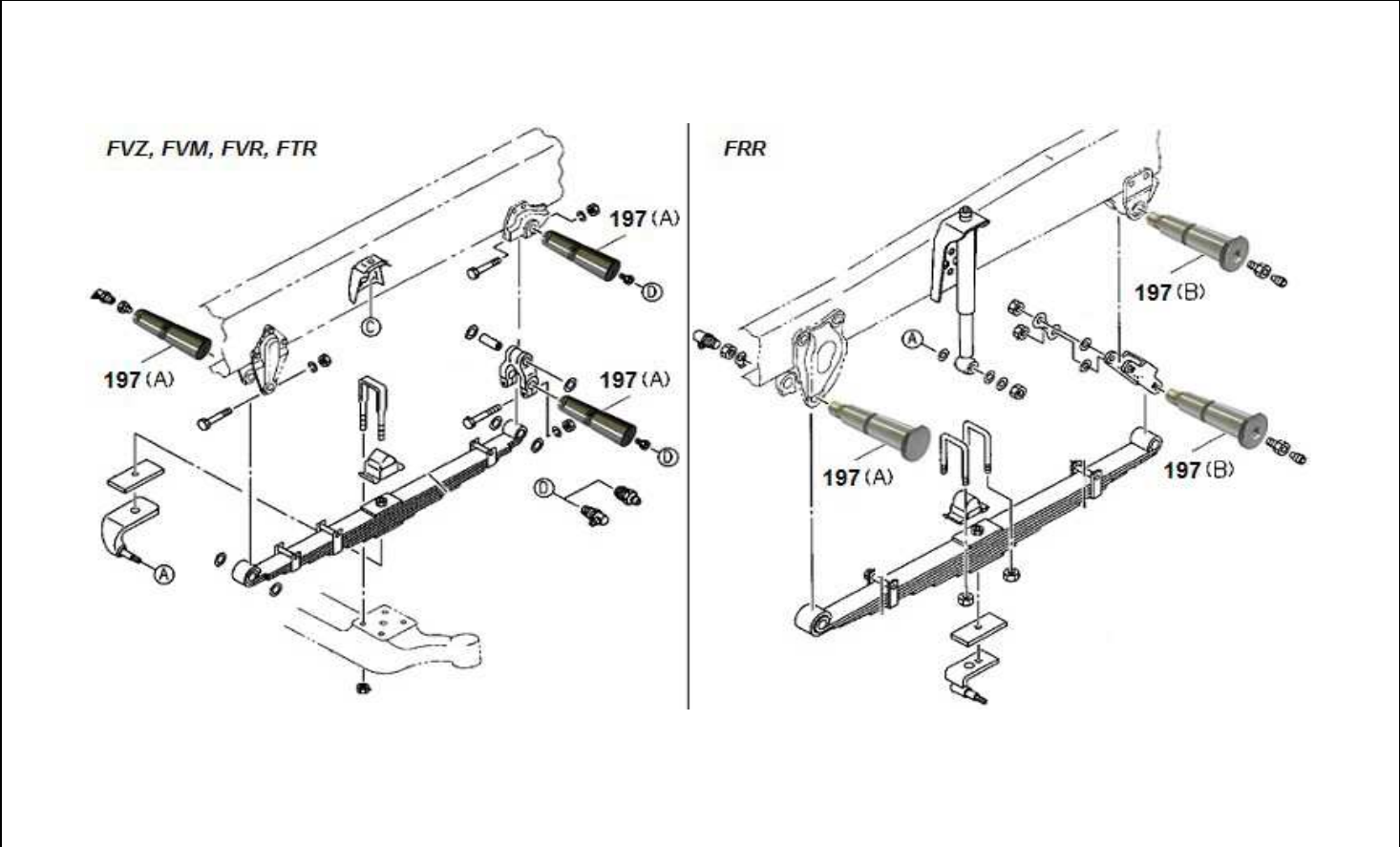


PART INFORMATION

No : 050 / PI / PART / IAMI / X / 2013
 Tanggal : 31 Okt 2013
 Perihal : PIN SPRING IADG

FIG.NO : 4-50 FRONT SUSPENSION



NO	PART NEW	DESCRIPTION	FIG No.	KEY NO.	APPLIED DATE	RETAIL	REMARKS
1	16-51161 043-0	PIN FRONT SPRING	4-50	197	1104-	44.000	(A), FVZ, FVM, FVR, FTR (6HK1)
2	16-98060 335-0	PIN FRONT SPRING FRONT	4-50	197	1103-	33.000	(A), FRR (4HK1)
3	16-98060 333-0	PIN FRONT SPRING REAR	4-50	197	1103-	33.000	(B), FRR (4HK1)

Prepared by : Eddy Pramono , 31 Okt 2013