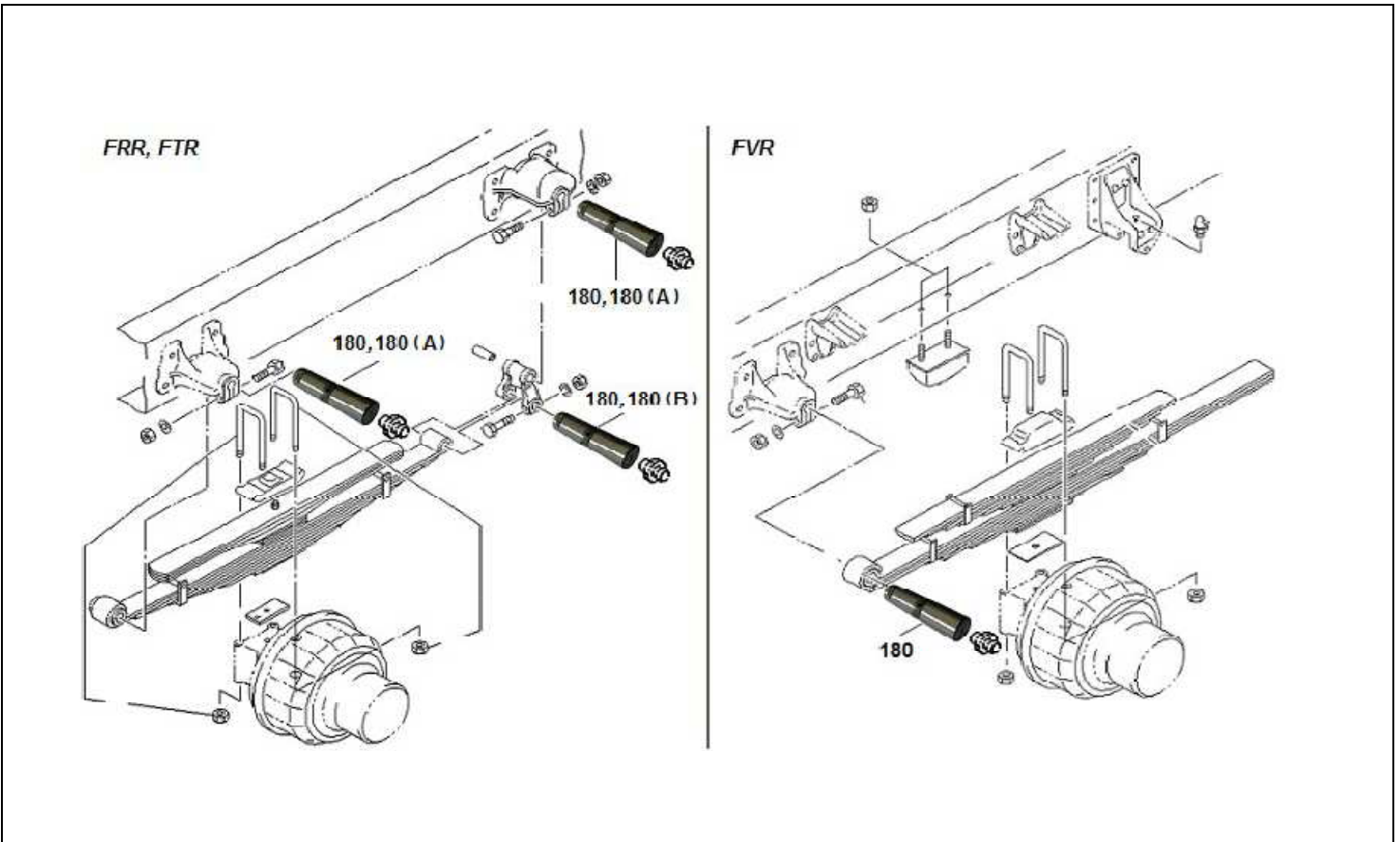


PART INFORMATION

No : 051 / PI / PART / IAMI / X / 2013

Tanggal : 31 Okt 2013

Perihal : PIN SPRING REAR IADG

FIG.NO : 4-60 REAR SUSPENSION

NO	PART NEW	DESCRIPTION	FIG No.	KEY NO.	APPLIED DATE	RETAIL	REMARKS
1	I6-51361 016-0	PIN REAR SPRING FRONT	4-60	180	1103-	25.000	4HK1, (A) FRR
2	I6-51361 017-0	PIN REAR SPRING FRONT	4-60	180	1103-	25.000	4HK1, (B) FRR
3	I6-51361 015-0	PIN REAR SPRING	4-60	180	1111-	34.000	4HK1, FTR
4	I6-51361 026-0	PIN REAR SPRING FRONT	4-60	180	1108-	53.000	6HK1, FVR

Prepared by : Eddy Pramono , 31 Okt 2013