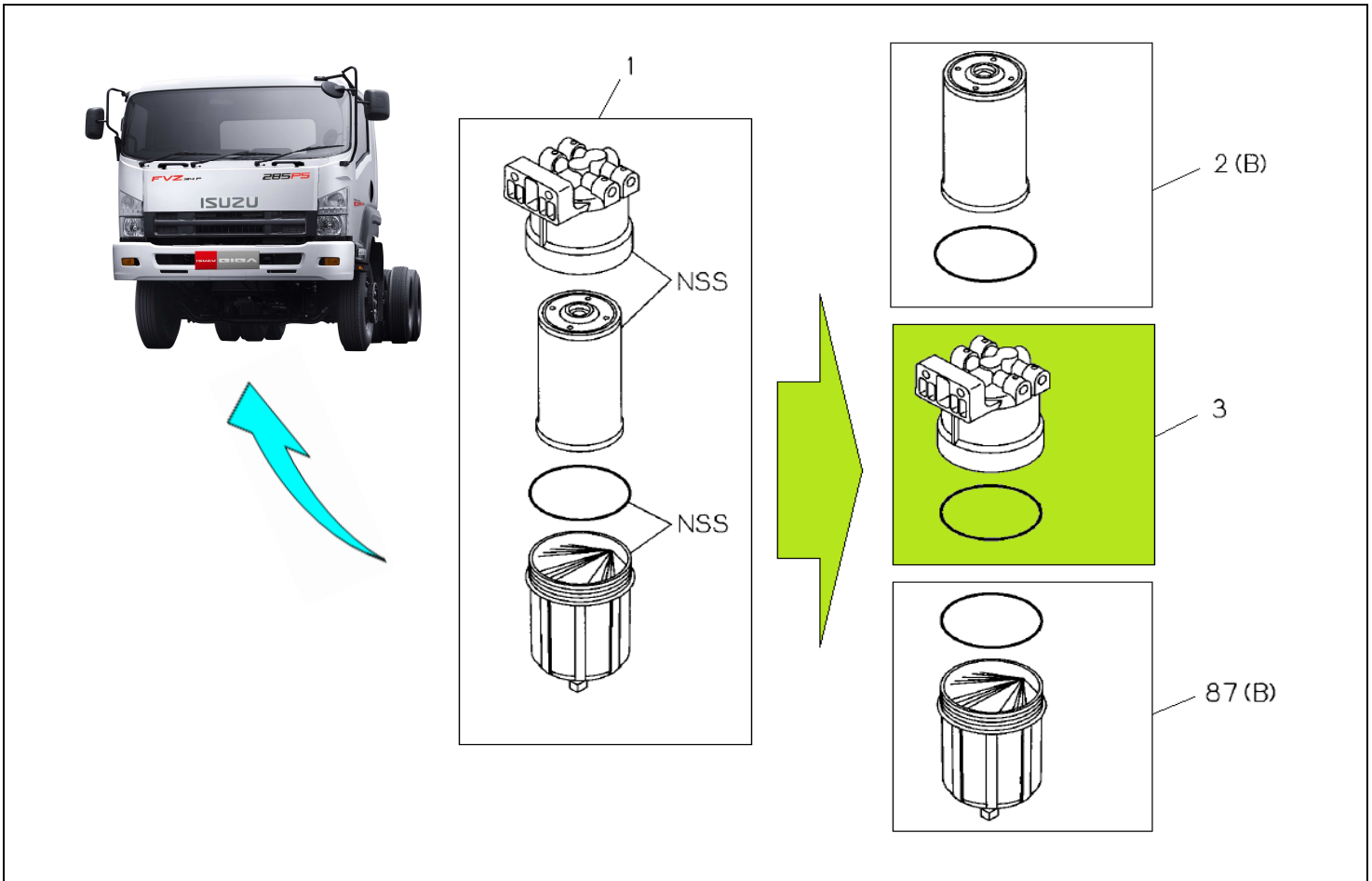


PART INFORMATION

No : 052 / PI / PART / IAMI / X / 2012
Tanggal : 12 Okt 2012
Perihal : DISASSY BODY ASM; SEDIMENTER GIGA

FIG.NO : 1-45 WATER SEDIMENTER; FUEL



NO	NEW PARTNO	DESCRIPTION	FIG No.	KEY NO.	APPLIED DATE	RETAIL	REMARKS
1	8-98086 193-1	SEDIMENTER; FUEL	1-45	1	1103-	3.000.000	FRR, FTR,FVR,FVM,FVZ
2	8-98092 481-1	ELEMENT; FUEL FILTER	1-45	2 (B)	1103-	90.000	FRR, FTR,FVR,FVM,FVZ
3	8-98092 479-1	BODY ASM; SEDIMENTER	1-45	3	1103-	815.000	FRR, FTR,FVR,FVM,FVZ
4	8-98092 482-1	CASE ASM; SEDIMENTER	1-45	87 (B)	1103-	770.000	FRR, FTR,FVR,FVM,FVZ