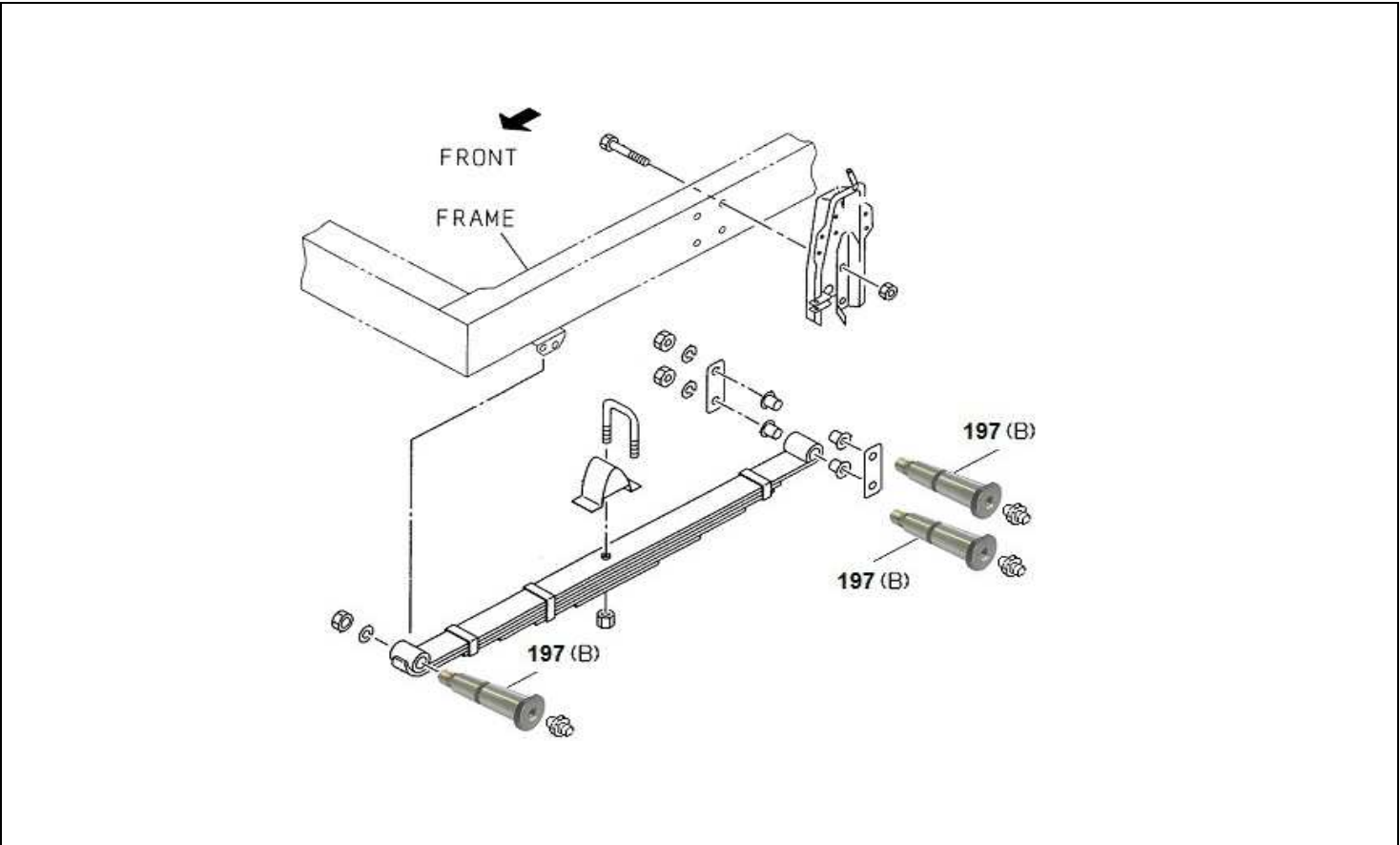


# PART INFORMATION

No : 052 / PI / PART / IAMI / X / 2013  
 Tanggal : 31 Okt 2013  
 Perihal : PIN SPRING FRONT IADG

**FIG.NO : 4-50 FRONT SUSPENSION**



NO	PART NEW	DESCRIPTION	FIG No.	KEY NO.	APPLIED DATE	RETAIL	REMARKS
1	16-66000 211-0	PIN FRT SPRING	4-50	197	0212-	28.000	4HF1, ( B ) NKR66, NKR71