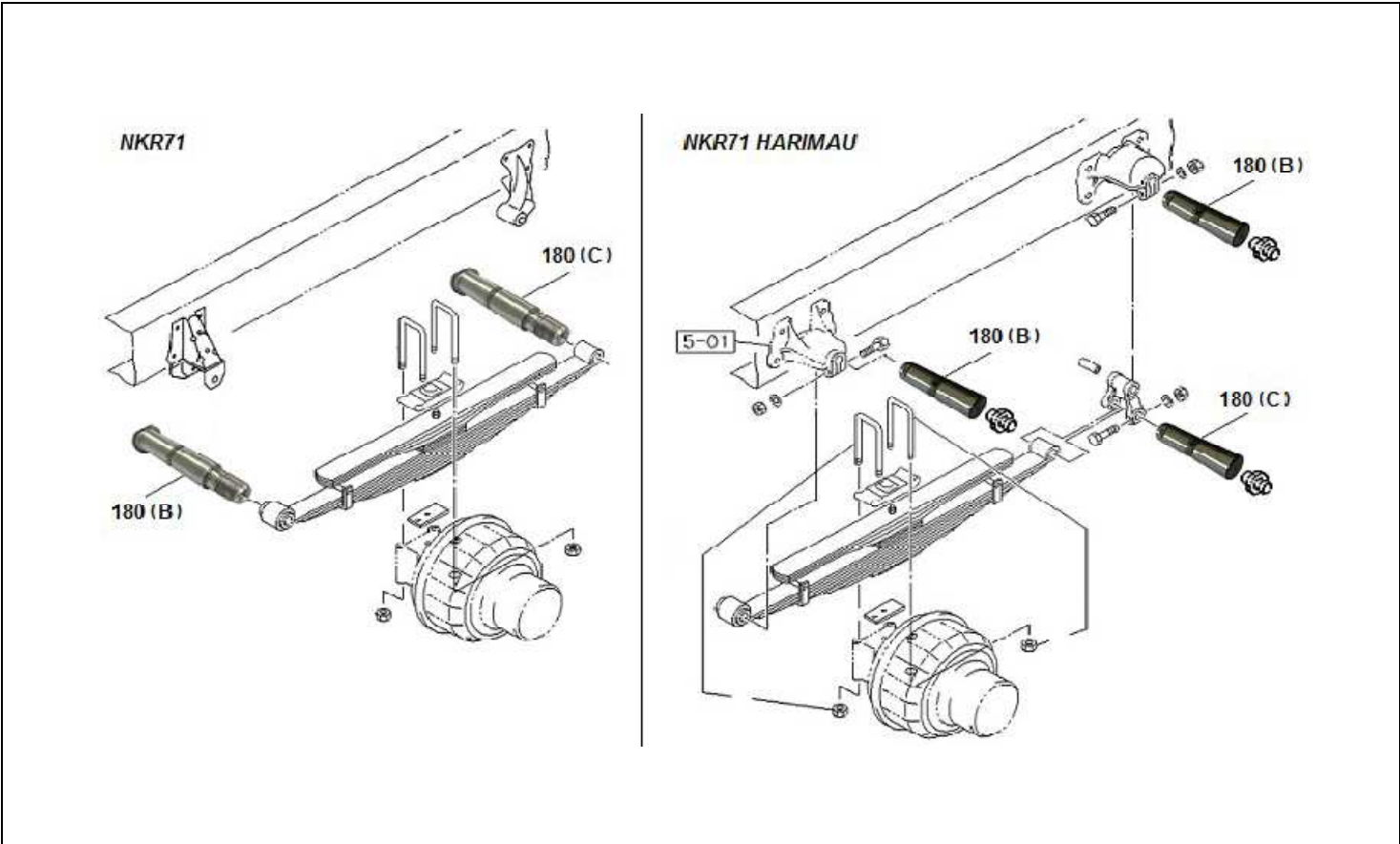


**PART INFORMATION**

No : 053 / PI / PART / IAMI / X / 2013  
Tanggal : 31 Okt 2013  
Perihal : PIN SPRING IADG

**FIG.NO : 4-60 REAR SUSPENSION**



NO	PART NEW	DESCRIPTION	FIG No.	KEY NO.	APPLIED DATE	RETAIL	REMARKS
1	16-66000 212-0	PIN REAR SPRING FRONT	4-60	180	9801-	31.000	(B) NKR66, NKR66-2, NKR71
2	16-66000 213-0	PIN REAR SPRING REAR	4-60	180	9801-	30.000	(C) NKR66, NKR66-2, NKR71 NKR55 6T
3	16-66230 211-0	PIN REAR SPRING FRONT	4-60	180	1202-	29.000	(B) NKR71 HARIMAU
4	16-66230 212-0	PIN REAR SPRING REAR	4-60	180	1202-	25.000	(C) NKR71 HARIMAU