

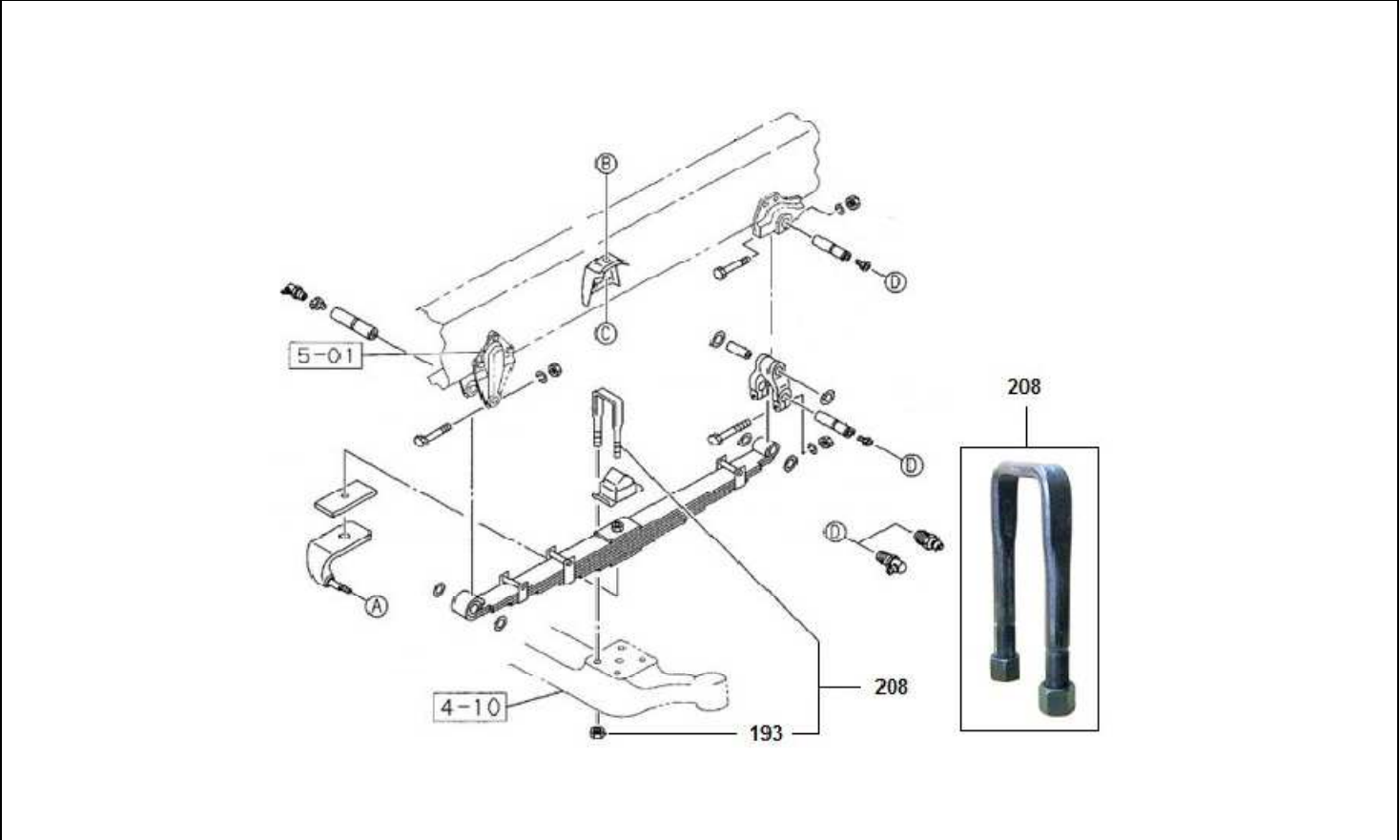
PART INFORMATION

No : 054 / PI / PART / IAMI / X / 2013

Tanggal : 31 Okt 2013

Perihal : U-BOLT FRONT SPRING FVZ IADG

FIG.NO : 4-50 FRONT SUSPENSION



NO	PART NEW	DESCRIPTION	FIG No.	KEY NO.	APPLIED DATE	RETAIL	REMARKS
1	16-87870 493-0	U-BOLT W/NUT FRT SPRING	4-50	208	1104-	87.000	FVZ