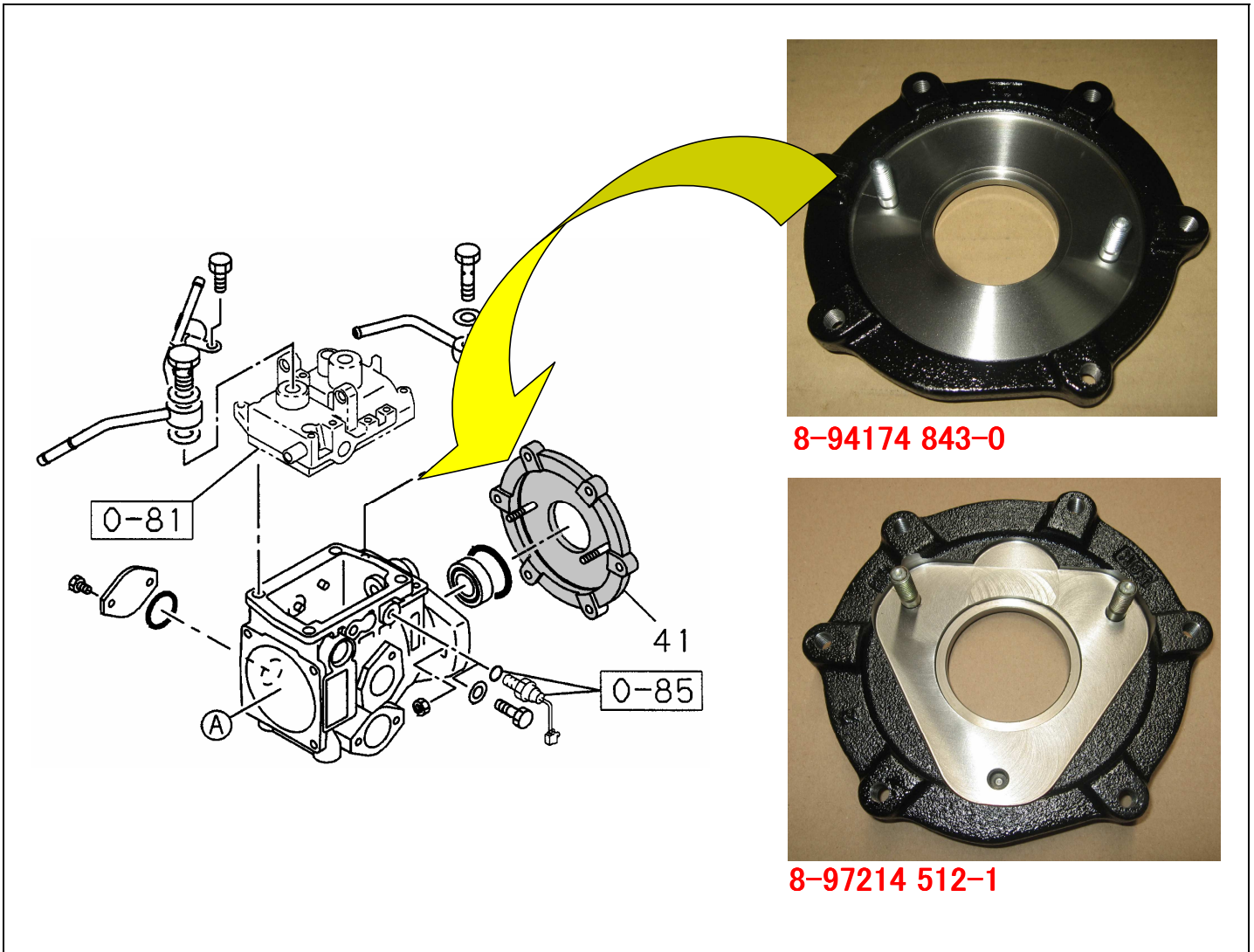


PART INFORMATION

No : 057 / IAMI / PM / PART / XII / 2011
 Tanggal : 07 Des 2011
 Perihal : BRACKET; INJ PUMP HSG TBR541

0-80 INJECTION PUMP



NO	PART NUMBER	DESCRIPTION	FIG NO	KEY NO	MODEL	RETAIL	REMARKS
1	8-94174 843-0	BRACKET; INJ PUMP HSG	0-80	41	4JA1	750.000	(FOR ASSY 8-97191 854-2) (FOR ASSY 8-97191 858-2) (FOR ASSY 8-97191 860-2)
2	8-97214 512-1	BRACKET; INJ PUMP HSG	0-80	41	4JA1-T	730.000	(FOR ASSY 8-98022 001-1) (FOR ASSY 8-98022 003-1)