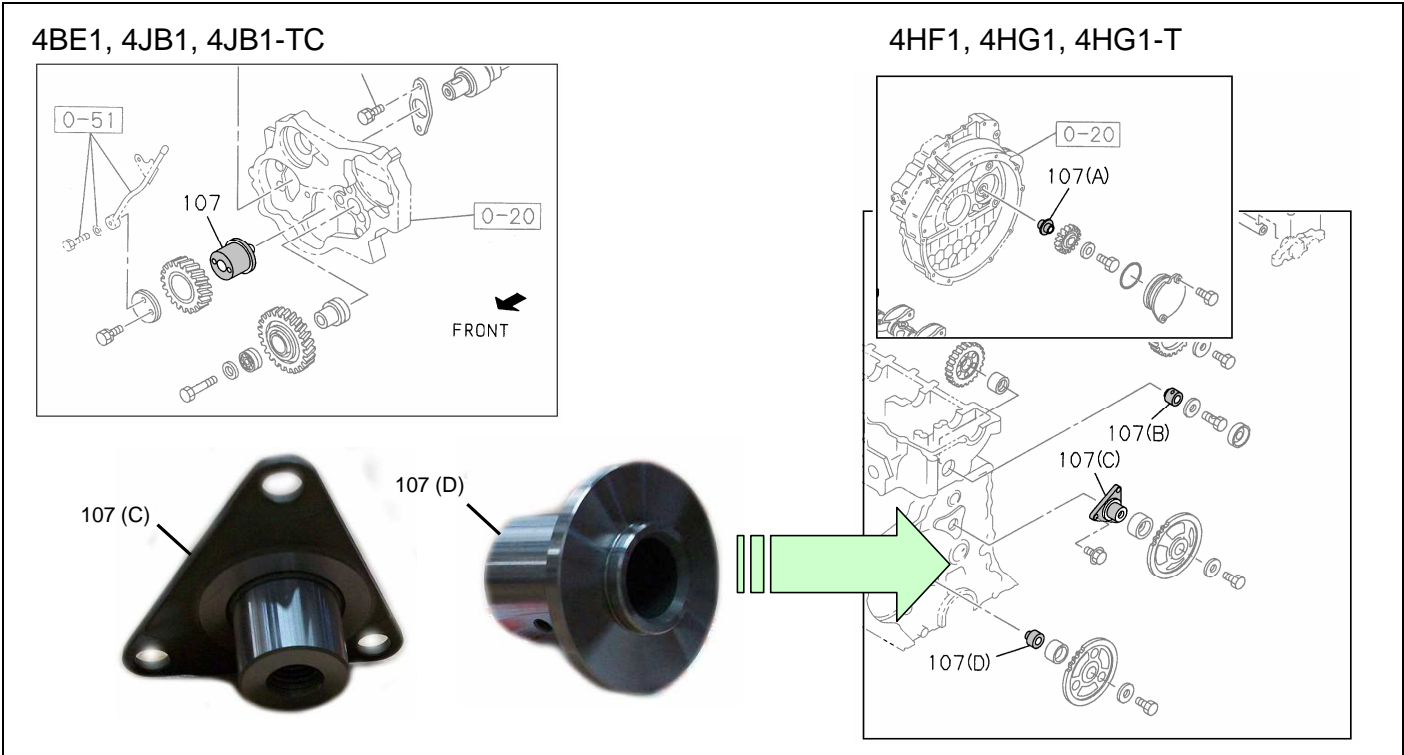


# PART INFORMATION

No : 059 / IAMI / PM / PART / XII / 2011  
Tanggal : 08 Des 2011  
Perihal : SHAFT; IDLE GEAR N Series

**REVISED**  
21-Jun-12

**0-14 CAMSHAFT AND VALVE**



NO	PART NUMBER	DESCRIPTION	FIG NO	KEY NO	APPLIED DATE	RETAIL	REMARKS
1	8-94139 758-1	SHAFT ; IDLE GEAR	0-14	107	9312-	270.000	EXC. TURBOCHARGER, NHR55
2	8-97920 007-0	SHAFT ; IDLE GEAR	0-14	107	0702-	255.000	NHR/NKR55 EURO2, TURBO
3	9-12531 030-0	SHAFT ; IDLE GEAR	0-14	107	9312-9402	250.000	NKR 58
4	8-97101 281-0	SHAFT ; IDLE GEAR	0-14	107	9403-9804	250.000	NKR 58
5	9-12531 030-0	SHAFT ; IDLE GEAR	0-14	107	9805-	250.000	NKR 58
6	8-94334 682-0	SHAFT ; IDLE GEAR	0-14	107	9312-	290.000	(A) NKR66, NKR66-2,NKR71
7	8-94334 682-0	SHAFT ; IDLE GEAR	0-14	107	0702-	290.000	(A) NKR71 EURO2
8	8-97065 555-1	SHAFT ; IDLE GEAR	0-14	107	9312-9711	750.000	(B) NKR66
9	8-97186 398-1	SHAFT ; IDLE GEAR	0-14	107	9712-	750.000	(B) NKR66, NKR66-2,NKR71
10	8-97186 398-1	SHAFT ; IDLE GEAR	0-14	107	0702-	750.000	(B) NKR71 EURO 2
11	8-97350 021-0	SHAFT ; IDLE GEAR	0-14	107	9312-9711	750.000	(C) NKR66
12	8-97350 021-0	SHAFT ; IDLE GEAR	0-14	107	9712-	750.000	(C) NKR66, NKR66-2
13	8-97350 021-0	SHAFT ; IDLE GEAR	0-14	107	0211-	750.000	(C) NKR66, NKR66-2,NKR71
14	8-97350 021-0	SHAFT ; IDLE GEAR	0-14	107	0702-	750.000	(C) NKR71 EURO 2
15	8-98060 780-0	SHAFT ; IDLE GEAR	0-14	107	9312-9406	710.000	(D) NKR66
16	8-98060 780-0	SHAFT ; IDLE GEAR	0-14	107	9407-	710.000	(D) NKR66, NKR66-2,NKR71
17	8-98060 780-0	SHAFT ; IDLE GEAR	0-14	107	0702-	710.000	(D) NKR71 EURO 2