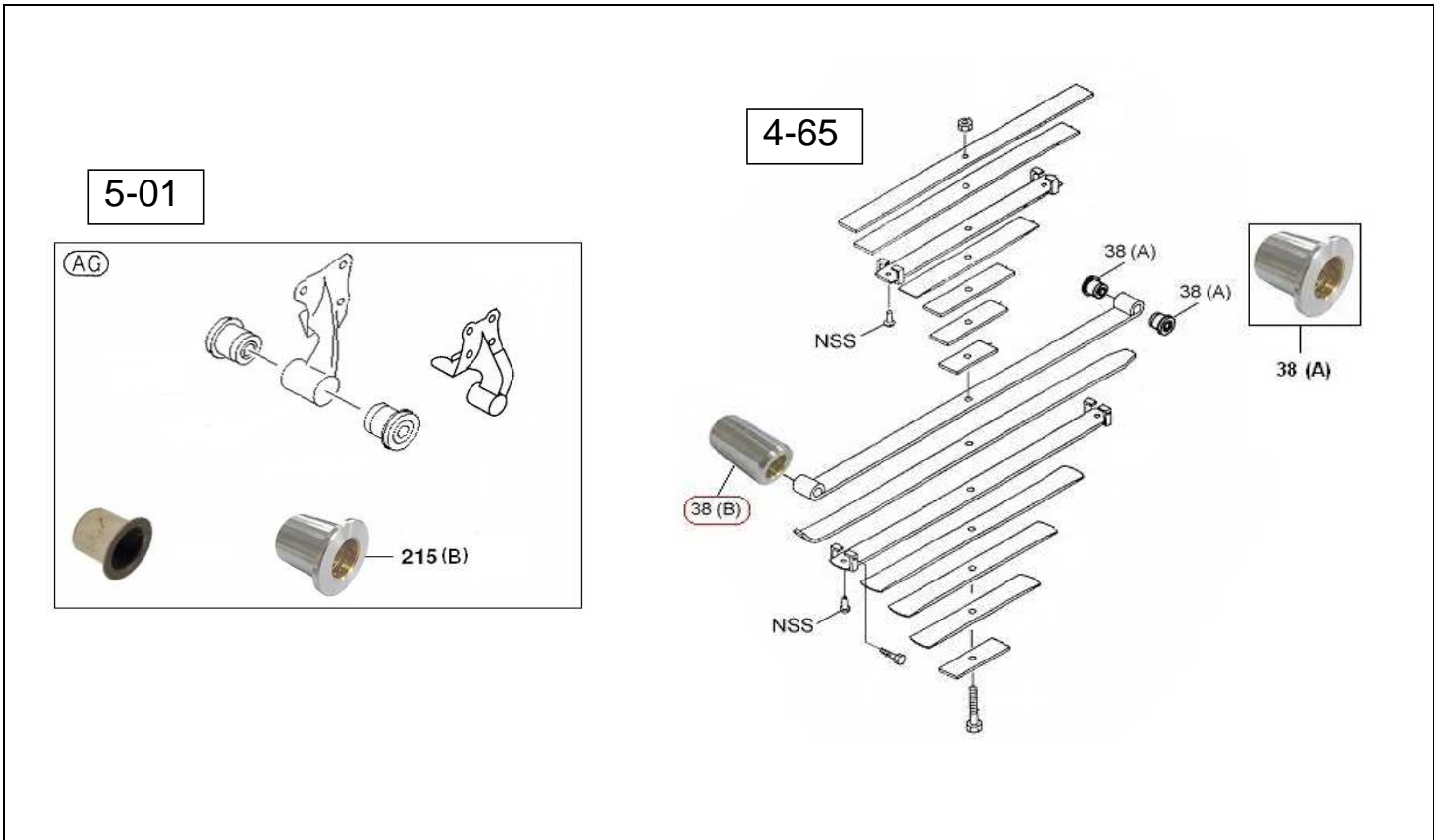


PART INFORMATION

No : 067 / PI / PART / IAMI / XII / 2012
Tanggal : 03 Des 2012
Perihal : BUSHING REAR SPRING IADG

FIG.NO : 4-65 REAR LEAF SPRING; 5-01 FRAME & OTHER PART



NO	PART NEW	DESCRIPTION	FIG No.	KEY NO.	TYPE	RETAIL	REMARKS
1	16-00007 078-0	BUSHING RR SPRING FR	4-65	38(A)	4HG1-T	43.000	NKR66, NKR71
2	16-00007 095-0	BUSHING RR SPRING RR	4-65	38(B)	4HG1-T	30.000	NKR66, NKR71
3	16-00007 077-0	BUSHING SHACKLE	5-01	215(B)	4HG1-T	26.000	NKR66, NKR71