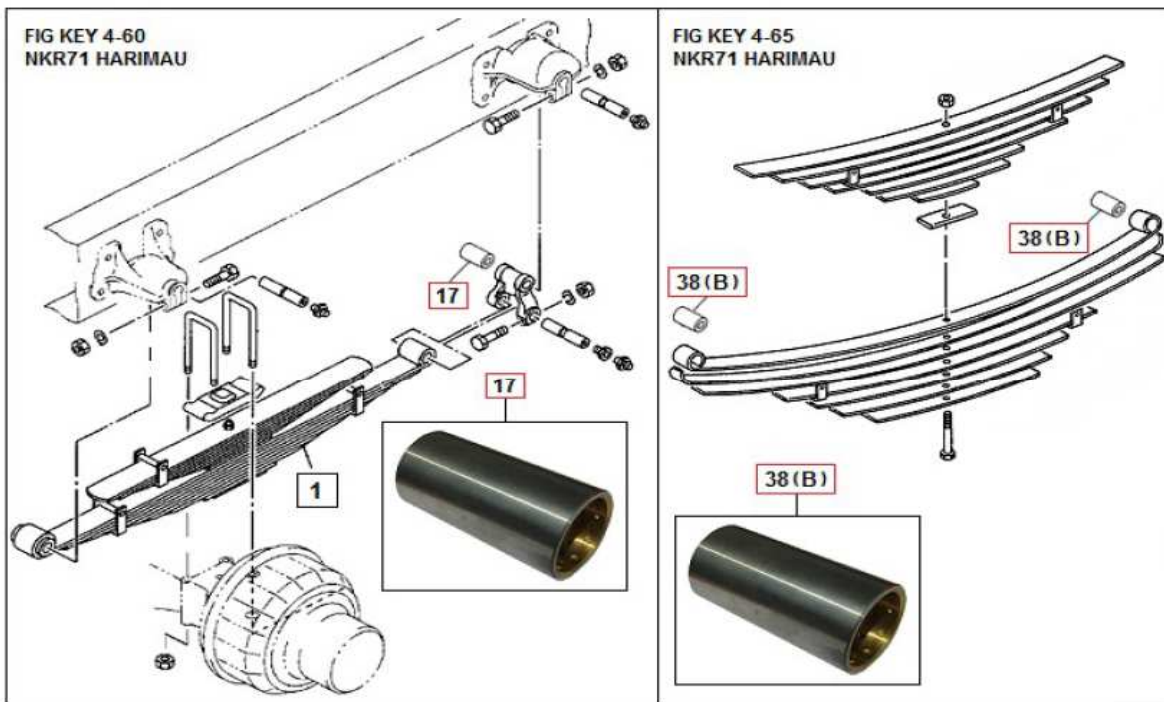


PART INFORMATION

No : 081 / PI / PART / IAMI / XI / 14
 Tanggal : 24 November 2014
 Perihal : BUSHING REAR SPRING, NKR71 HARIMAU, IADG

FIG.NO : 4-60 REAR SUSPENSION

4HG1-T



NO	PART NEW	DESCRIPTION	FIG No.	KEY NO.	APPLIED DATE	RETAIL	REMARKS
1	I6-66220 211-0	BUSHING REAR SPRING	4-60	17	-	Rp31.000	NKR71 HARIMAU