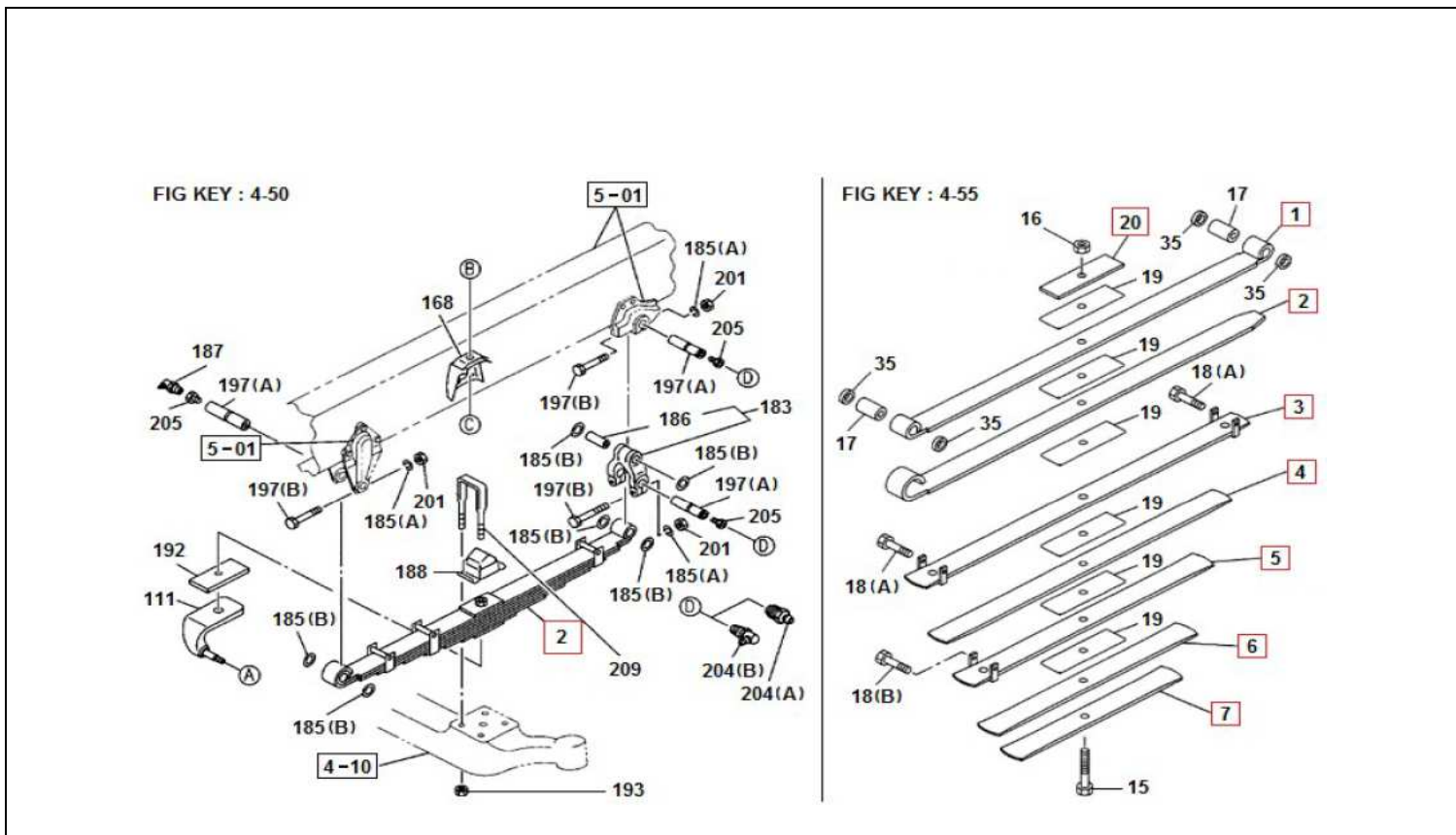


PART INFORMATION

No : 083 / PI / PART / IAMI / XI / 14
 Tanggal : 24 November 2014
 Perihal : SPRING ASM FRONT, (FVZ & FVM), IADG

FIG.NO : 4-50 FRONT SUSPENSION



NO	PART NEW	DESCRIPTION	FIG No.	KEY NO.	APPLIED DATE	RETAIL	REMARKS
1	I6-65020 321-0	SPRING ASM FRT,FVZ	4-50	2	1103-	Rp3.925.000	FVZ; FVM
2	I6-65000 307-0	SPRING LEAF FRT NO.1,FVZ	4-55	1	1103-	Rp940.000	FVZ; FVM
3	I6-65000 308-0	SPRING LEAF FRT NO.2,FVZ	4-55	2	1103-	Rp790.000	FVZ; FVM
4	I6-65000 309-0	SPRING LEAF FRT NO.3,FVZ	4-55	3	1103-	Rp690.000	FVZ; FVM
5	I6-65000 310-0	SPRING LEAF FRT NO.4,FVZ	4-55	4	1103-	Rp550.000	FVZ; FVM
6	I6-65000 311-0	SPRING LEAF FRT NO.5,FVZ	4-55	5	1103-	Rp405.000	FVZ; FVM
7	I6-65000 312-0	SPRING LEAF FRT NO.6,FVZ	4-55	6	1103-	Rp265.000	FVZ; FVM
8	I6-65000 313-0	SPRING LEAF FRT NO.7,FVZ	4-55	7	1103-	Rp110.000	FVZ; FVM
9	I6-65001 322-0	SEAT LEAF SRPING FRT	4-55	20	1103-	Rp70.000	FVZ; FVM