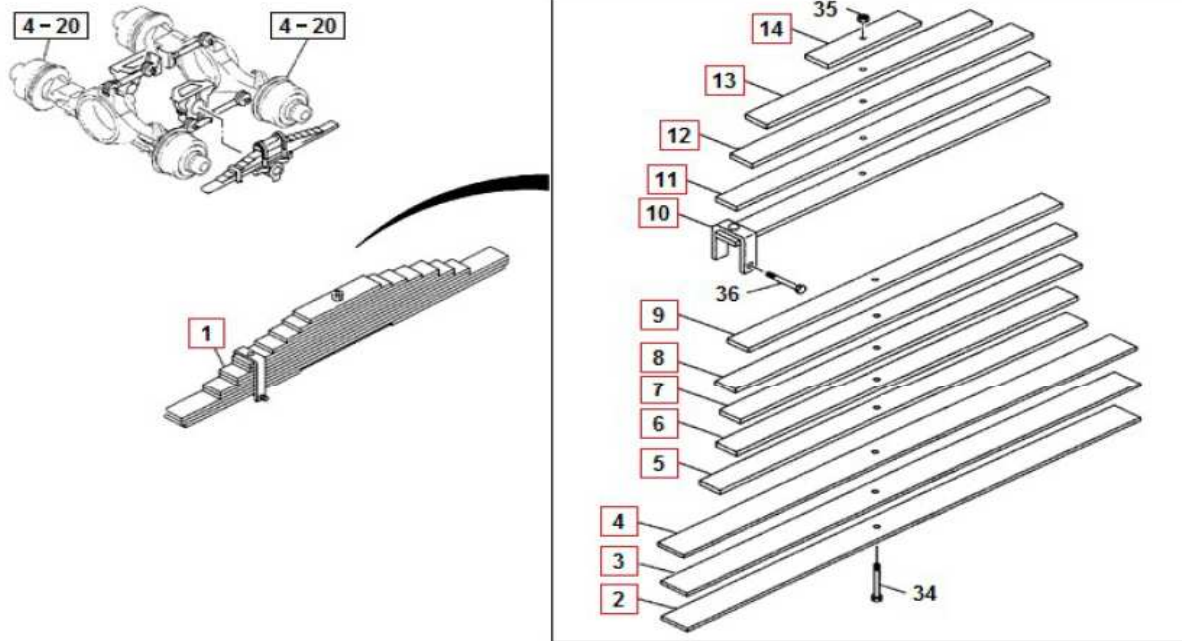


# PART INFORMATION

No : 084 / PI / PART / IAMI / XI / 14  
 Tanggal : 24 November 2014  
 Perihal : SPRING ASM REAR, (FVZ & FVM), IADG

FIG.NO : 4-60 REAR SUSPENSION



NO	PART NEW	DESCRIPTION	FIG No.	KEY NO.	APPLIED DATE	RETAIL	REMARKS
1	I6-66020 315-0	SPRING ASM REAR,FVZ	4-60	1	1104-	Rp7.400.000	FVZ; FVM
2	I6-66000 327-0	SPRING NO.1 RR,FVZ	4-65	2	1104-	Rp840.000	FVZ; FVM
3	I6-66000 328-0	SPRING NO.2 RR,FVZ	4-65	3	1104-	Rp860.000	FVZ; FVM
4	I6-66000 329-0	SPRING NO.3 RR,FVZ	4-65	4	1104-	Rp860.000	FVZ; FVM
5	I6-66000 330-0	SPRING NO.4 RR,FVZ	4-65	5	1104-	Rp650.000	FVZ; FVM
6	I6-66000 331-0	SPRING NO.5 RR,FVZ	4-65	6	1104-	Rp650.000	FVZ; FVM
7	I6-66000 332-0	SPRING NO.6 RR,FVZ	4-65	7	1104-	Rp600.000	FVZ; FVM
8	I6-66000 333-0	SPRING NO.7 RR,FVZ	4-65	8	1104-	Rp600.000	FVZ; FVM
9	I6-66000 334-0	SPRING NO.8 RR,FVZ	4-65	9	1104-	Rp530.000	FVZ; FVM
10	I6-66000 335-0	SPRING NO.9 RR,FVZ	4-65	10	1104-	Rp530.000	FVZ; FVM
11	I6-66000 336-0	SPRING NO.10 RR,FVZ	4-65	11	1104-	Rp450.000	FVZ; FVM
12	I6-66000 337-0	SPRING NO.11 RR,FVZ	4-65	12	1104-	Rp380.000	FVZ; FVM
13	I6-66000 338-0	SPRING NO.12 RR,FVZ	4-65	13	1104-	Rp260.000	FVZ; FVM
14	I6-66000 339-0	SPRING NO.13 RR,FVZ	4-65	14	1104-	Rp199.000	FVZ; FVM