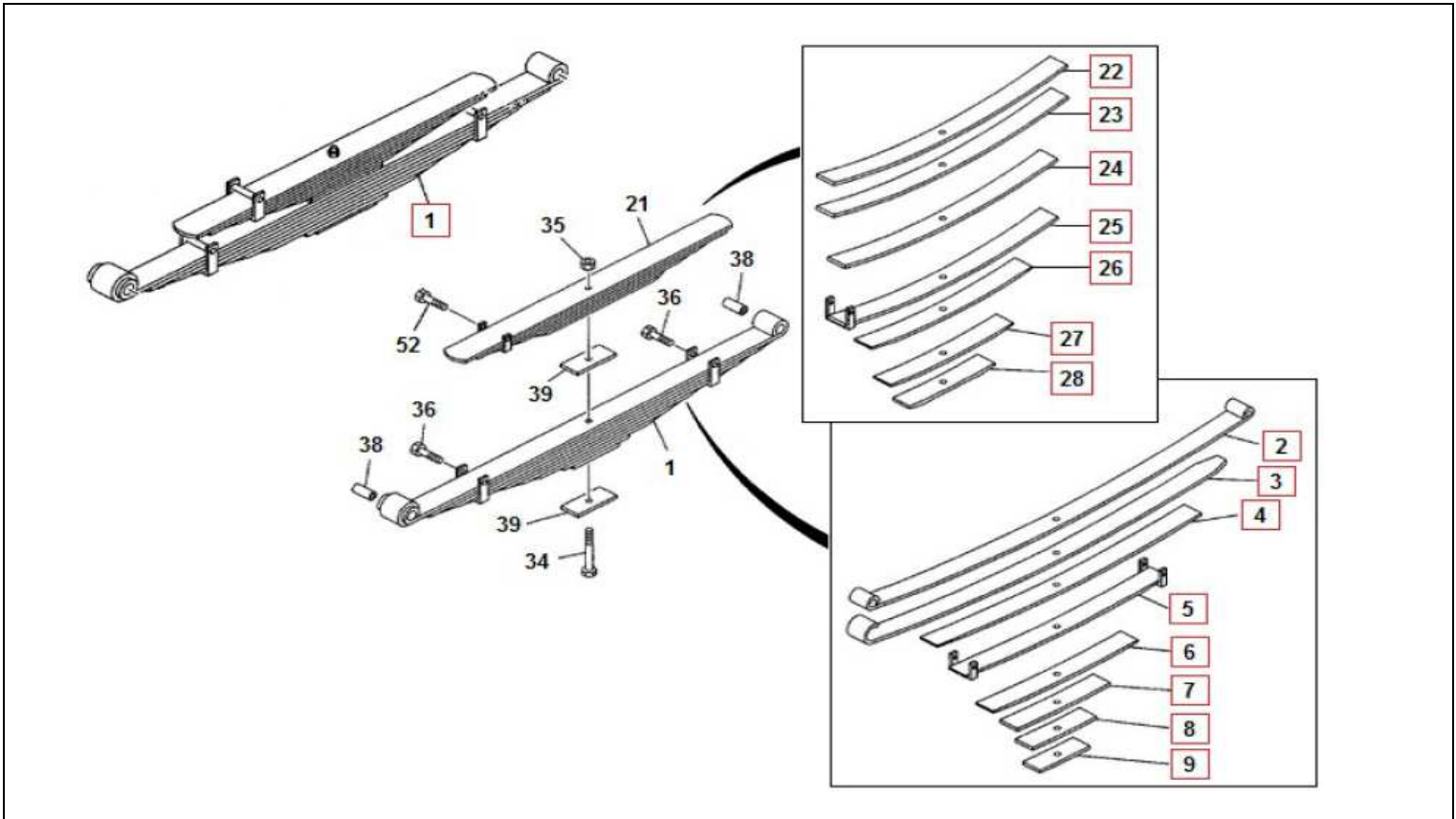


PART INFORMATION

No : 085 / PI / PART / IAMI / XI / 14
Tanggal : 24 November 2014
Perihal : REAR LEAF SPRING, FRR, IADG

FIG.NO : 4-65 REAR LEAF SPRING



NO	PART NEW	DESCRIPTION	FIG No.	KEY NO.	APPLIED DATE	RETAIL	REMARKS
1	16-66020 314-0	SPRING ASM REAR,FRR	4-60	1	4HK1	Rp3.350.000	FRR
2	16-66000 311-0	SPRING NO.1 RR,FRR	4-65	2	4HK1	Rp520.000	FRR
3	16-66000 312-0	SPRING NO.2 RR,FRR	4-65	3	4HK1	Rp430.000	FRR
4	16-66000 313-0	SPRING NO.3 RR,FRR	4-65	4	4HK1	Rp295.000	FRR
5	16-66000 314-0	SPRING NO.4 RR,FRR	4-65	5	4HK1	Rp250.000	FRR
6	16-66000 315-0	SPRING NO.5 RR,FRR	4-65	6	4HK1	Rp200.000	FRR
7	16-66000 316-0	SPRING NO.6 RR,FRR	4-65	7	4HK1	Rp153.000	FRR
8	16-66000 317-0	SPRING NO.7 RR,FRR	4-65	8	4HK1	Rp107.000	FRR
9	16-66000 318-0	SPRING NO.8 RR,FRR	4-65	9	4HK1	Rp74.000	FRR
10	16-66000 320-0	SPRING NO.1 RR HELPER,FRR	4-65	22	4HK1	Rp265.000	FRR
11	16-66000 321-0	SPRING NO.2 RR HELPER,FRR	4-65	23	4HK1	Rp240.000	FRR
12	16-66000 322-0	SPRING NO.3 RR HELPER,FRR	4-65	24	4HK1	Rp220.000	FRR
13	16-66000 323-0	SPRING NO.4 RR HELPER,FRR	4-65	25	4HK1	Rp178.000	FRR
14	16-66000 324-0	SPRING NO.5 RR HELPER,FRR	4-65	26	4HK1	Rp138.000	FRR
15	16-66000 325-0	SPRING NO.6 RR HELPER,FRR	4-65	27	4HK1	Rp97.000	FRR
16	16-66000 326-0	SPRING NO.7 RR HELPER,FRR	4-65	28	4HK1	Rp64.000	FRR

|