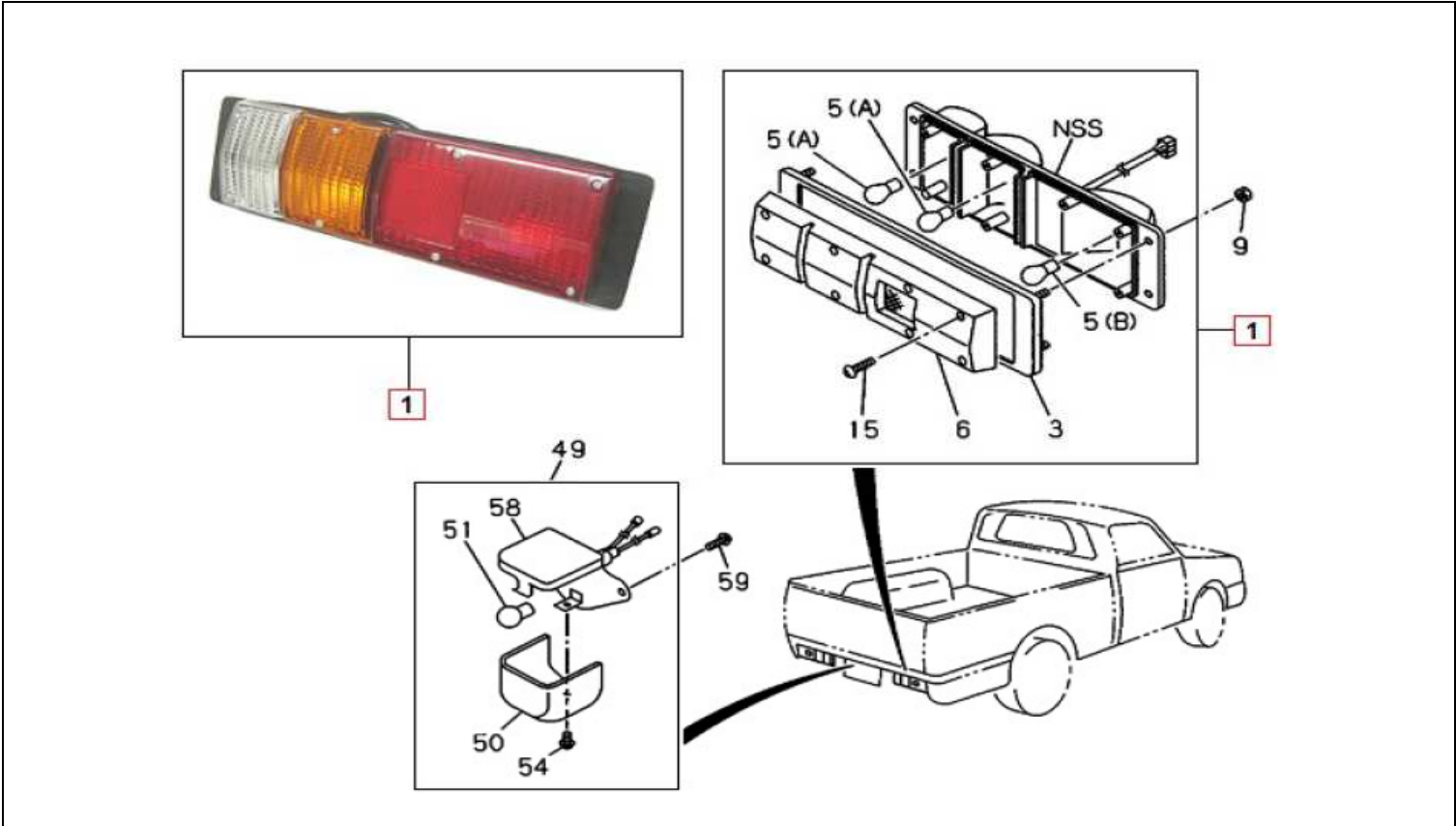


PART INFORMATION

No : 087 / PI / PART / IAMI / XI / 14
Tanggal : 24 November 2014
Perihal : LAMP ASM REAR COMB, (TBR54 PU) IADG

FIG.NO : 8-03 LAMP; REAR AND REAR SIDE



| NO | PART NEW | DESCRIPTION | FIG No. | KEY NO. | APPLIED DATE | RETAIL | REMARKS |
|----|----------------|---------------------|---------|---------|--------------|----------|-----------------|
| 1 | I6-82230 036-0 | LAMP ASM RR COMB RH | 8-01 | 1 | 9009- | Rp68.000 | TBR54 PU (4JA1) |
| 2 | I6-82230 037-0 | LAMP ASM RR COMB LH | 8-01 | 1 | 9009- | Rp68.000 | TBR54 PU (4JA1) |
| | | | | | | | |
| | | | | | | | |
| | | | | | | | |
| | | | | | | | |
| | | | | | | | |
| | | | | | | | |
| | | | | | | | |
| | | | | | | | |
| | | | | | | | |
| | | | | | | | |
| | | | | | | | |
| | | | | | | | |
| | | | | | | | |
| | | | | | | | |
| | | | | | | | |
| | | | | | | | |
| | | | | | | | |
| | | | | | | | |
| | | | | | | | |