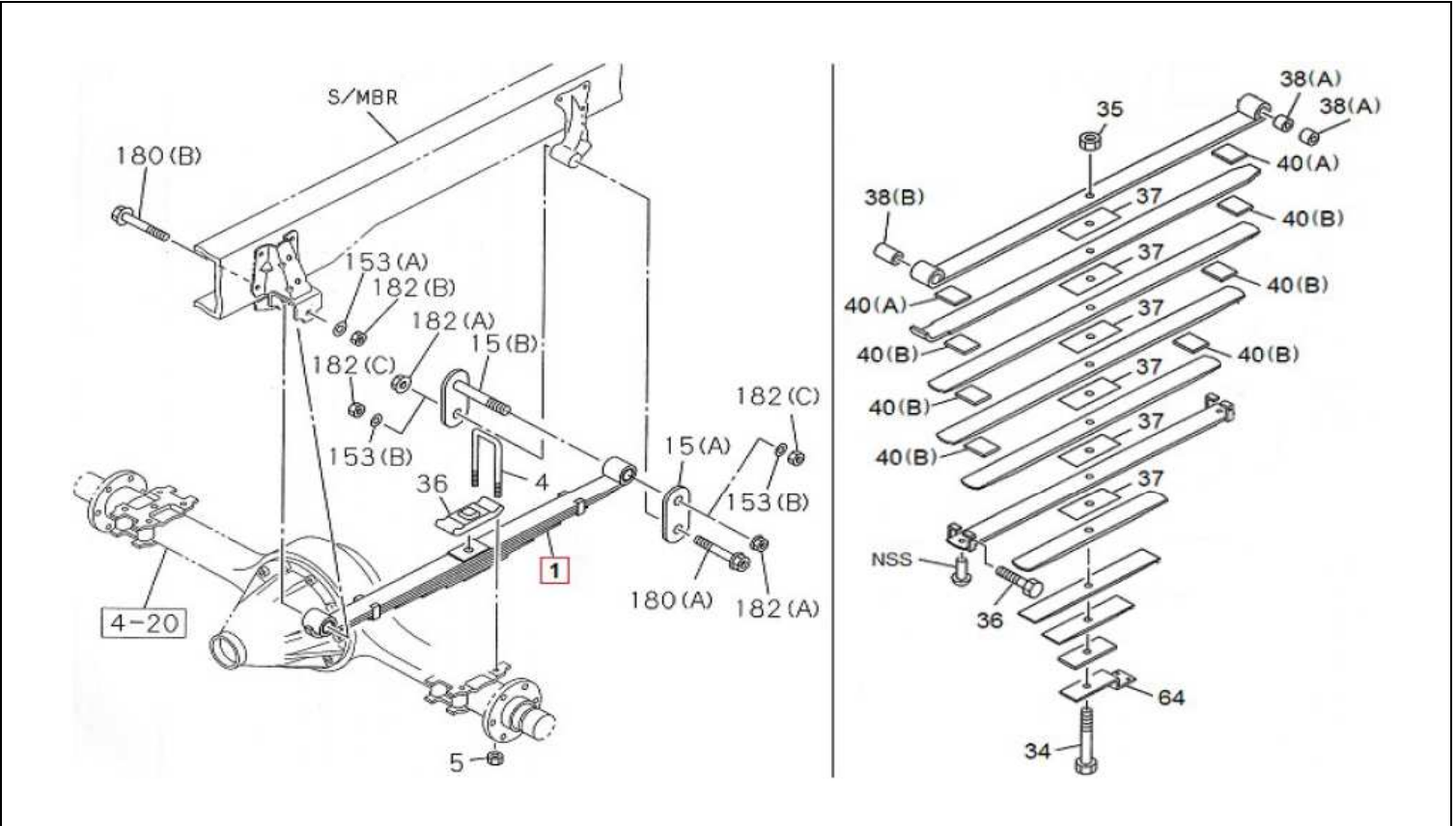


# PART INFORMATION

No : 088 / PI / PART / IAMI / XI / 14  
 Tanggal : 24 November 2014  
 Perihal : SPRING ASM REAR, NQR, IADG

FIG.NO : 4-60 REAR SUSPENSION



NO	PART NEW	DESCRIPTION	FIG No.	KEY NO.	APPLIED DATE	RETAIL	REMARKS
1	I6-98190 548-0	SPRING ASM REAR,NQR	4-60	1	1208-	Rp2.100.000	NQR (4HG1-T)