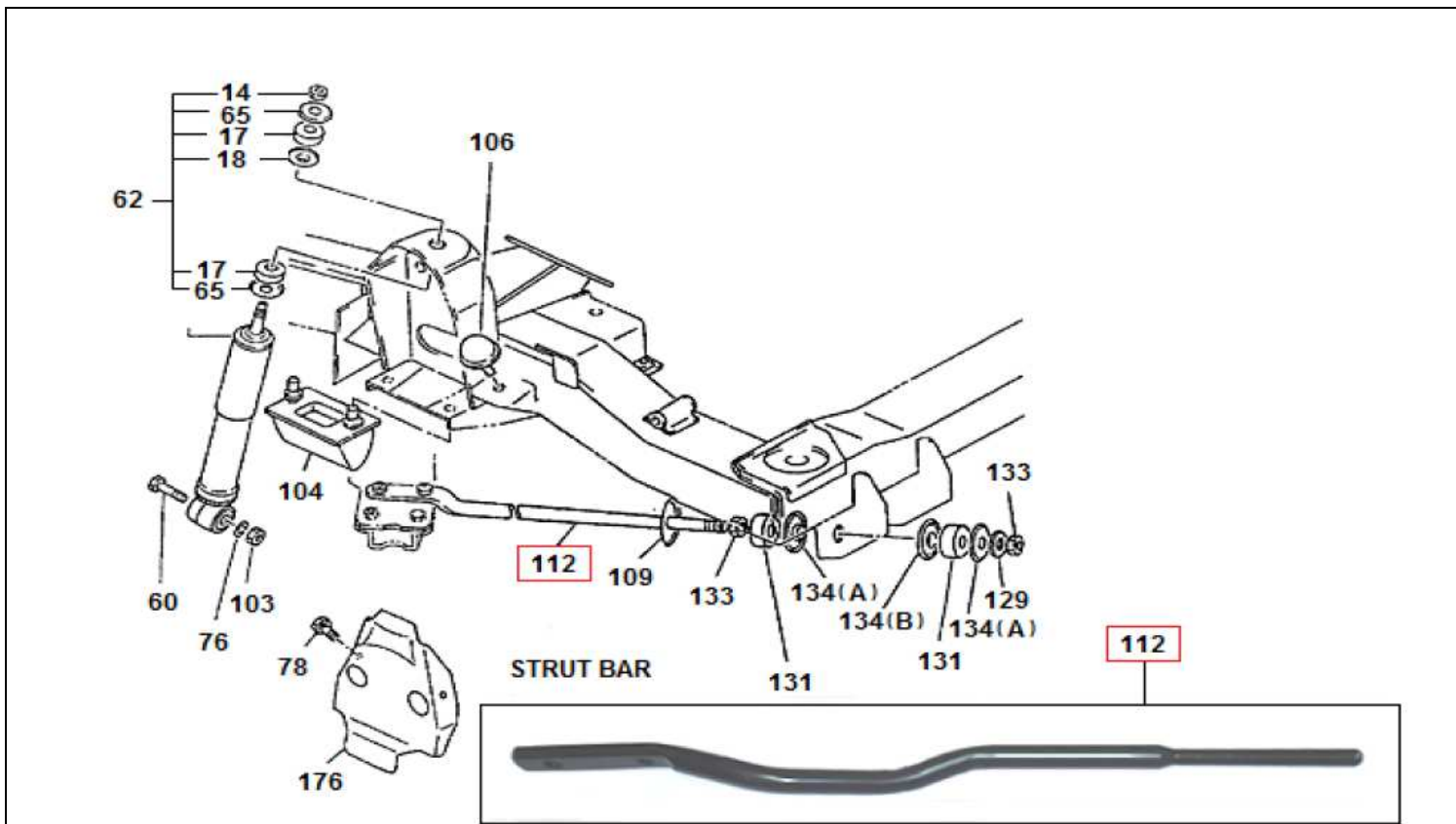


## PART INFORMATION

No : 090 / PI / PART / IAMI / XII / 14  
 Tanggal : 4 Desember 2014  
 Perihal : BAR STRUT,TBR54, IADG

FIG.NO : 4-50 FRONT SUSPENSION



NO	PART NEW	DESCRIPTION	FIG No.	KEY NO.	APPLIED DATE	RETAIL	REMARKS
	I6-94223 672-0	BAR STRUT,TBR54	4-50	112	9009-	Rp57.000	TBR52, TBR54