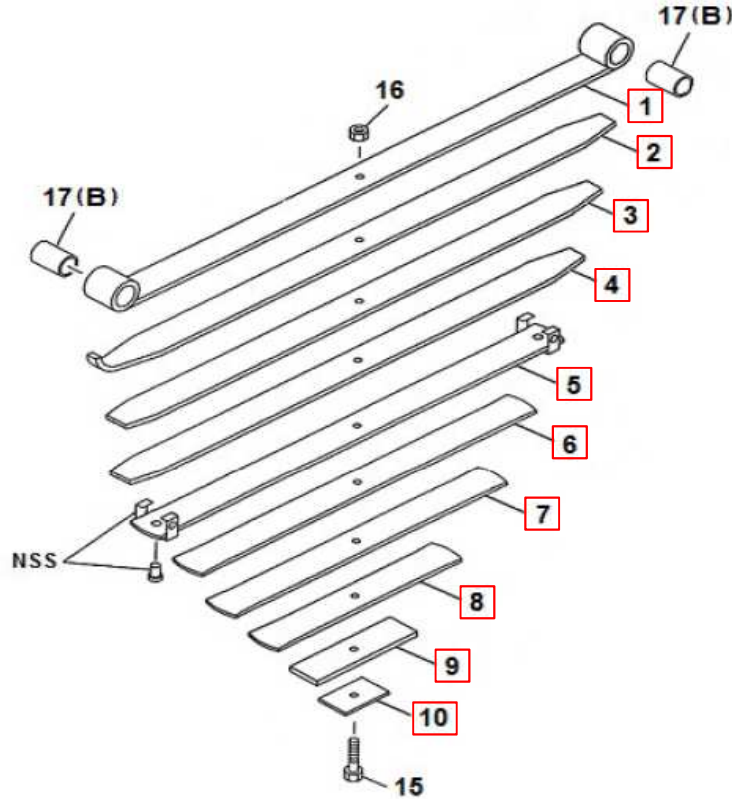


PART INFORMATION

No : 092 / PI / PART / IAMI / XII / 14
 Tanggal : 4 Desember 2014
 Perihal : LEAF SPRING FRONT, NKR71, IADG

FIG.NO : 4-55 FRONT LEAF SPRING



NO	PART NEW	DESCRIPTION	FIG No.	KEY NO.	APPLIED DATE	RETAIL	REMARKS
1	I6-65003 001-0	SPRING NO.1 FRT,NKR71	4-55	1	0702-	Rp315.000	NKR71 (4HG1-T)
2	I6-65003 002-0	SPRING NO.2 FRT,NKR71	4-55	2	0702-	Rp179.000	NKR71 (4HG1-T)
3	I6-65003 003-0	SPRING NO.3&4 FRT,NKR71	4-55	3	0702-	Rp172.000	NKR71 (4HG1-T)
4	I6-65003 005-0	SPRING NO.5 FRT,NKR71	4-55	5	0702-	Rp124.000	NKR71 (4HG1-T)
5	I6-65003 006-0	SPRING NO.6 FRT,NKR71	4-55	6	0702-	Rp94.000	NKR71 (4HG1-T)
6	I6-65003 007-0	SPRING NO.7 FRT,NKR71	4-55	7	0702-	Rp73.000	NKR71 (4HG1-T)
7	I6-65003 008-0	SPRING NO.8 FRT,NKR71	4-55	8	0702-	Rp52.000	NKR71 (4HG1-T)
8	I6-65003 009-0	SPRING NO.9 FRT,NKR71	4-55	9	0702-	Rp35.000	NKR71 (4HG1-T)
9	I6-65003 010-0	SPRING NO.10 FRT,NKR71	4-55	10	0702-	Rp14.500	NKR71 (4HG1-T)