

1-01

ACCELERATOR PEDAL AND CONTROL

KEY	R / C	PART NAME PART NUMBER	I T C	APPLIED DATE	Qty	APPLIED MODEL	RESTRICTION/REMARKS
							A 6HK1-TCN ENG(82L) B 6HK1-TCS ENG(80L)
2		LEVER; ENG CONT 8-98049-120-1		1312-1402	01	A	
		8-98049-120-1		1403-	01	AB	
14		PAD; PEDAL,ACCEL 8-97859-101-0		1312-1402	01	A	
		8-97859-101-0		1403-	01	AB	
15		STAND; HEEL,ACCEL PEDAL 8-98022-259-2		1312-1402	01	A	
		8-98022-259-2		1403-	01	AB	
32		SPRING; RETURN,ACCEL PEDAL 8-98031-665-0		1312-1402	01	A	
		8-98031-665-0		1403-	01	AB	
46		RING; SNAP,ACCEL CONT PEDAL 0-91805-504-0		1312-1402	01	A	
		0-91805-504-0		1403-	01	AB	ID=4
65		BOLT 0-16861-060-0		1312-1402	01	A	ID=4
		0-16861-060-0		1403-	01	AB	(D) M10X60
		0-28151-020-0		1312-1402	01	A	(D) M10X60
		0-28151-020-0		1403-	01	AB	(C) M10X20 FLANGE
		1-09980-543-0		1312-1402	02	A	(C) M10X20 FLANGE
		1-09980-543-0		1403-	02	AB	(B) M6X28 W/LK&PL WASHER
		8-94279-201-0		1312-1402	02	A	(B) M6X28 W/LK&PL WASHER
		8-94279-201-0		1403-	02	AB	(A) M6X19.5 W/LK&PL WASHER
80		LINK ASM; ENG CONT 8-98038-418-4		1312-1402	01	A	(A) M6X19.5 W/LK&PL WASHER
		8-98038-418-4		1403-	01	AB	
82		BUSHING; ENG CONT LVR 8-97581-053-0		1312-1402	01	A	
		8-97581-053-0		1403-	01	AB	

1-01

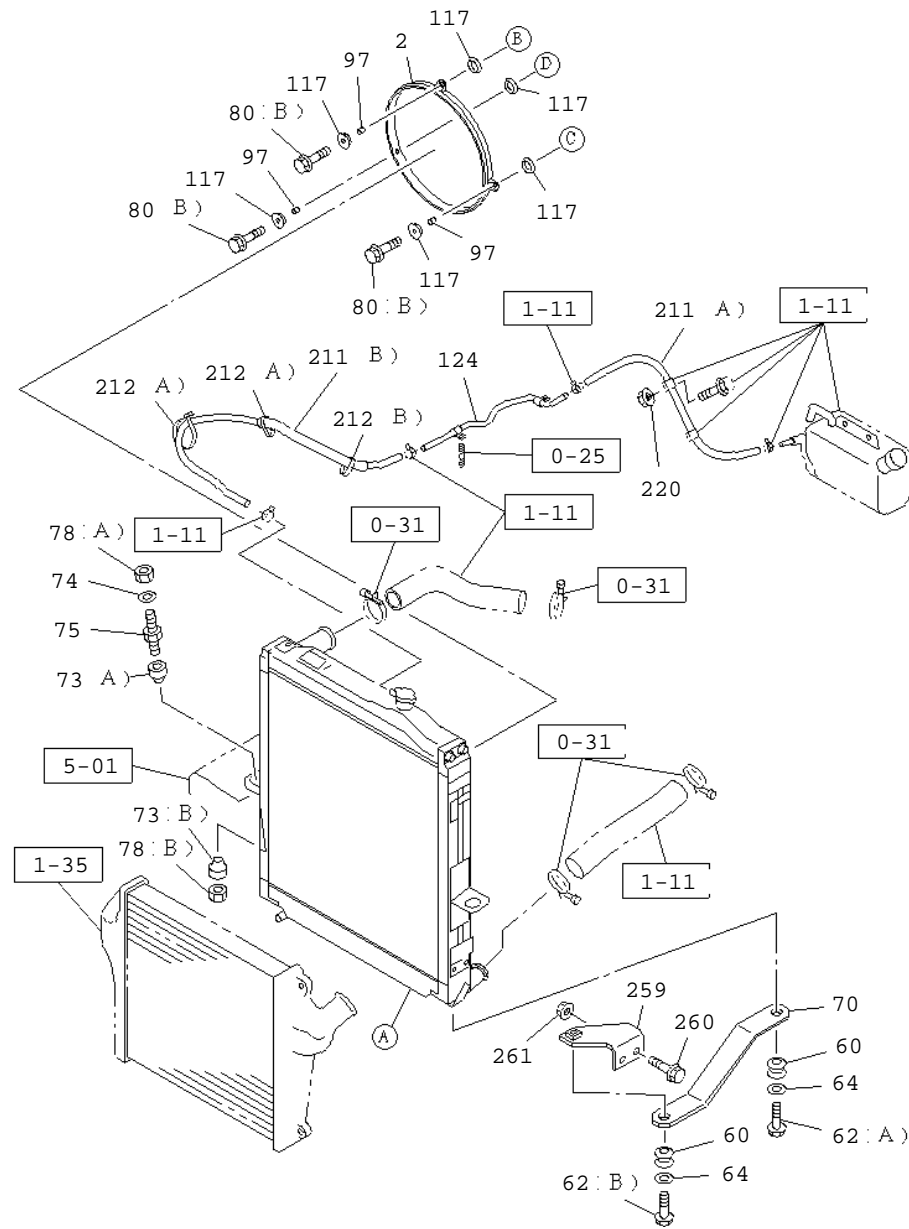
ACCELERATOR PEDAL AND CONTROL

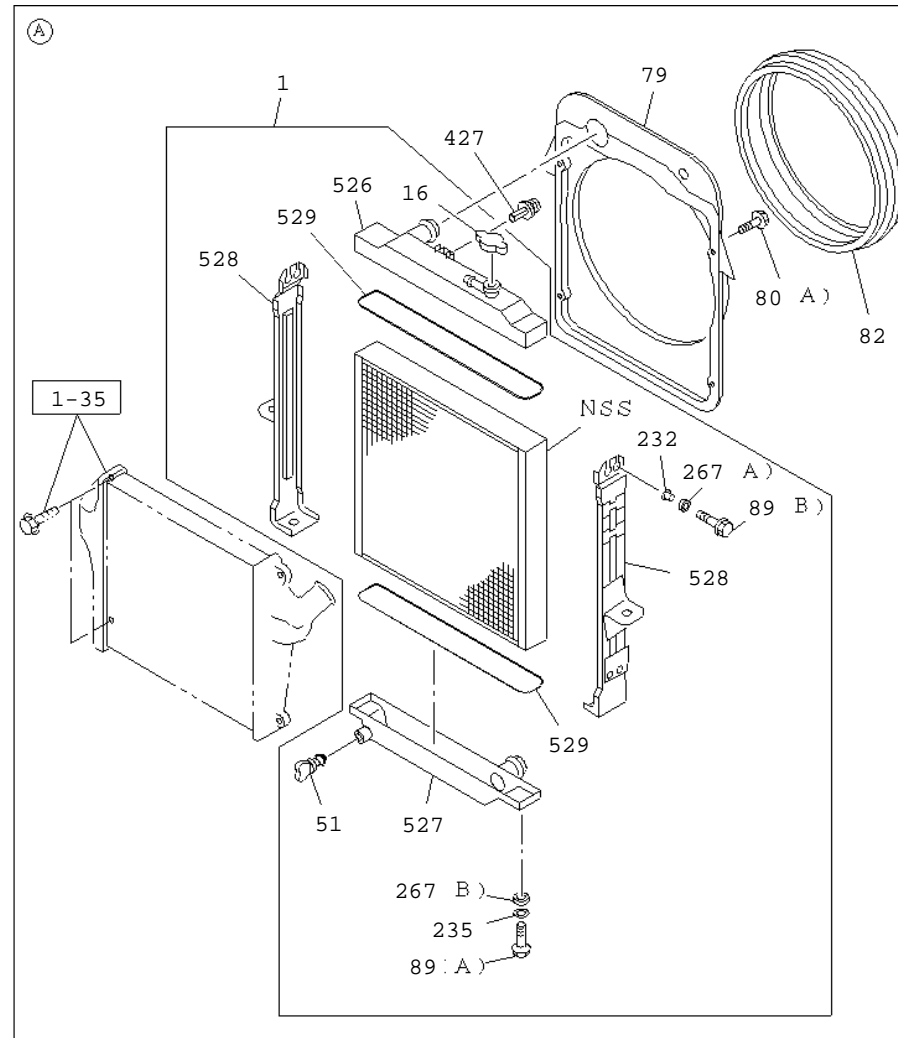
KEY	R / C	PART NAME PART NUMBER	I T C	APPLIED DATE	Qty	APPLIED MODEL	RESTRICTION/REMARKS
							A 6HK1-TCN ENG(82L) B 6HK1-TCS ENG(80L)
83		BRACKET; CONT LINK 8-98020-217-0		1312-1402	01	A	
		8-98020-217-0		1403-	01	AB	
124		NUT; LEVER 8-94368-617-0		1312-1402	01	A	ID=7.9 PUSH NUT
		8-94368-617-0		1403-	01	AB	ID=7.9 PUSH NUT
149		BRACKET; ENG CONT 8-98045-009-0		1312-1402	01	A	
		8-98045-009-0		1403-	01	AB	
158		NUT; BRKT 0-91180-108-0		1312-1402	02	A	M8 FLANGE
		0-91180-108-0		1403-	02	AB	M8 FLANGE
170		KNOB 8-98013-420-0		1312-1402	01	A	
		8-98013-420-0		1403-	01	AB	
230		PIN; JOINT,ACCEL PEDAL TO BRKT 8-98026-806-0		1312-1402	01	A	
		8-98026-806-0		1403-	01	AB	
243		SENSOR; ACCEL 8-98131-263-0		1312-1402	01	A	
		8-98131-263-0		1403-	01	AB	
262		SWITCH; ACCEL,IDLE 8-98013-418-0		1312-1402	01	A	
		8-98013-418-0		1403-	01	AB	
332		BRACKET; ACCEL PEDAL STOPPER 8-98011-468-2		1312-1402	01	A	
		8-98011-468-2		1403-	01	AB	
528		NUT; ACCEL SENSOR 8-94169-022-0		1312-1402	02	A	M5
		8-94169-022-0		1403-	02	AB	M5
664		BOLT; STOPPER 0-20850-840-0		1312-1402	01	A	M8X40
		0-20850-840-0		1403-	01	AB	M8X40
673		NUT; STOPPER 0-91110-508-0		1312-1402	01	A	M8 IDN
		0-91110-508-0		1403-	01	AB	M8 IDN

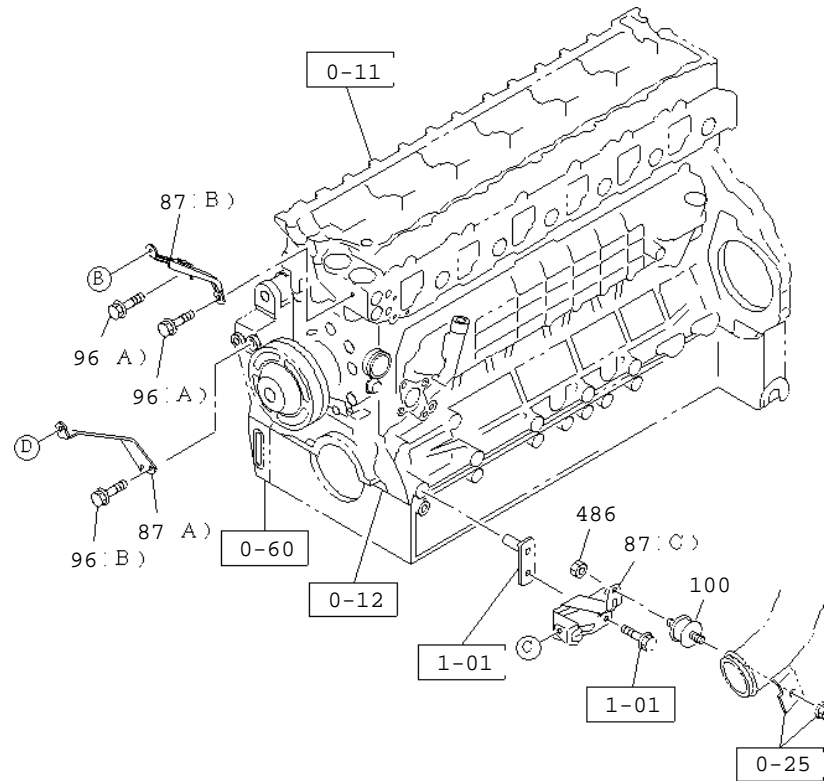
1-01

ACCELERATOR PEDAL AND CONTROL

KEY	R / C	PART NAME PART NUMBER	I T C	APPLIED DATE	Qty	APPLIED MODEL	RESTRICTION/REMARKS
							A 6HK1-TCN ENG(82L) B 6HK1-TCS ENG(80L)
773		HOLDER; ACCEL PEDAL 8-97352-127-0 8-97352-127-0		1312-1402 1403-	01 01	A AB	
6-05		Move to 6-05					
6-70		Move to 6-70					
8-10		Move to 8-10					
7-40		Move to 7-40					
0-12		Move to 0-12					
1-10		Move to 1-10					







1-10

RADIATOR

KEY	R / C	PART NAME PART NUMBER	I T C	APPLIED DATE	L / R	Qty	APPLIED MODEL	RESTRICTION/REMARKS
								A 6HK1-TCN ENG(82L) B 6HK1-TCS ENG(80L)
1		RADIATOR ASM 8-98248-324-0		1403-		01	B	
		8-98248-323-0		1312-		01	A	IDN
2		GUIDE; FAN 8-94393-779-1		1312-1402		01	A	IDN
		8-94393-779-1		1403-		01	AB	
16	B	CAP; RAD 8-98096-226-0		1403-		01	B	
		8-97239-187-0		1312-		01	A	IDN
51		PLUG; DRAIN 8-97171-437-0		1312-1402		01	A	W/GASKET
		8-97171-437-0		1403-		01	AB	W/GASKET
60		GROMMET 1-09332-117-0		1312-1402		04	A	
		1-09332-117-0		1403-		04	AB	
62		BOLT; STAY 1-09009-020-1		1312-1402		02	A	(A) M8X30
		1-09009-020-1		1403-		02	AB	(A) M8X30
		1-09009-175-0		1312-1402		02	A	(B) M8X26
		1-09009-175-0		1403-		02	AB	(B) M8X26
64		WASHER; STAY TO RAD 0-91610-612-0		1312-1402		04	A	ID=12.5 OD=26
		0-91610-612-0		1403-		04	AB	ID=12.5 OD=26
70		STAY; RAD 8-98004-132-2		1312-1402		02	A	
		8-98004-132-2		1403-		02	AB	
73		RUBBER; CUSHION,RAD MTG 1-21467-004-0		1312-1402		02	A	(A) T=14
		1-21467-004-0		1403-		02	AB	(A) T=14

1-10

RADIATOR

KEY	R / C	PART NAME PART NUMBER	I T C	APPLIED DATE	L / R	Qty	APPLIED MODEL	RESTRICTION/REMARKS
								A 6HK1-TCN ENG(82L) B 6HK1-TCS ENG(80L)
73		1-21467-011-1		1312-1402		02	A	(B) T=24
		1-21467-011-1		1403-		02	AB	(B) T=24
74		WASHER; PL,CUSHION RUBBER 1-09503-154-2		1312-1402		02	A	ID=8.4 OD=22
		1-09503-154-2		1403-		02	AB	ID=8.4 OD=22
75		BOLT; CUSHION RUBBER,RAD MTG 1-21466-007-3		1312-1402		02	A	M12X26.5,M10X19 L=86.5
		1-21466-007-3		1403-		02	AB	M12X26.5,M10X19 L=86.5
78		NUT; CUSHION RUBBER 0-91180-210-0		1312-1402		02	A	(A) M10 FLANGE
		0-91180-210-0		1403-		02	AB	(A) M10 FLANGE
		0-91180-212-0		1312-1402		02	A	(B) M12 FLANGE
		0-91180-212-0		1403-		02	AB	(B) M12 FLANGE
79		GUIDE; FAN,RAD 8-98010-384-0		1403-		01	B	IDN
		8-98004-207-0		1312-		01	A	IDN
80		BOLT; FAN GUIDE 0-28650-830-0		1312-1402		03	A	(B) M8X30 FLANGE
		0-28650-830-0		1403-		03	AB	(B) M8X30 FLANGE
		8-98046-222-0		1312-1402		04	A	(A) M8X14 IDN

1-10

RADIATOR

KEY	R / C	PART NAME PART NUMBER	I T C	APPLIED DATE	L / R	Qty	APPLIED MODEL	RESTRICTION/REMARKS
								A 6HK1-TCN ENG(82L) B 6HK1-TCS ENG(80L)
80		8-98046-222-0		1403-		04	AB	(A) M8X14 IDN
82		COVER; FAN,RAD 8-98004-211-0		1312-1402		01	A	IDN
		8-98004-211-0		1403-		01	AB	IDN
87		STAY; FAN GUIDE 8-94393-776-1		1312-1402		01	A	(B)
		8-94393-776-1		1403-		01	AB	(B)
		8-94393-778-2		1312-1402		01	A	(C)
		8-94393-778-2		1403-		01	AB	(C)
		8-97602-988-0		1312-1402		01	A	(A)
		8-97602-988-0		1403-		01	AB	(A)
89		BOLT 0-28050-612-0		1312-1402		02	A	(A) M6X12 FLANGE
		0-28050-612-0		1403-		02	AB	(A) M6X12 FLANGE
		1-21469-153-0		1312-1402		04	A	(B) M8X25
		1-21469-153-0		1403-		04	AB	(B) M8X25
96		BOLT; STAY FIX 0-28050-816-0		1312-1402		02	A	(B) M8X16 FLANGE
		0-28050-816-0		1403-		02	AB	(B) M8X16 FLANGE
		0-28151-016-0		1312-1402		02	A	(A) M10X16 FLANGE
		0-28151-016-0		1403-		02	AB	(A) M10X16 FLANGE

1-10

RADIATOR

KEY	R / C	PART NAME PART NUMBER	I T C	APPLIED DATE	L / R	Qty	APPLIED MODEL	RESTRICTION/REMARKS
								A 6HK1-TCN ENG(82L) B 6HK1-TCS ENG(80L)
97		TUBE; DIST,FAN GUIDE 9-09651-072-0		1312-1402		03	A	
		9-09651-072-0		1403-		03	AB	
100		RUBBER; MTG 8-98148-109-0		1312-1402		01	A	
		8-98148-109-0		1403-		01	AB	
117		RUBBER; MTG,FAN GUIDE 8-94395-766-0		1312-1402		06	A	
		8-94395-766-0		1403-		06	AB	
124		PIPE; WATER,TANK TO RAD 8-97611-022-1		1312-1402		01	A	
		8-97611-022-1		1403-		01	AB	
211		HOSE; RAD TO PIPE 8-98073-545-0		1403-		01	B	
								(B) L=970 IDN
		8-98073-544-0		1312-		01	A	
								(B) L=940 IDN
		8-98119-375-0		1312-1402		01	A	
								(A) L=560 IDN
		8-98119-375-0		1403-		01	AB	
								(A) L=560 IDN
212		CLIP; HOSE 5-09707-030-1		1312-1402		02	A	
								(A) L=250 IDN
		5-09707-030-1		1403-		02	AB	
								(A) L=250 IDN
		5-09707-031-1		1312-1402		01	A	
								(B) L=140 IDN
		5-09707-031-1		1403-		01	AB	
								(B) L=140 IDN
220		NUT; CLIP						

1-10

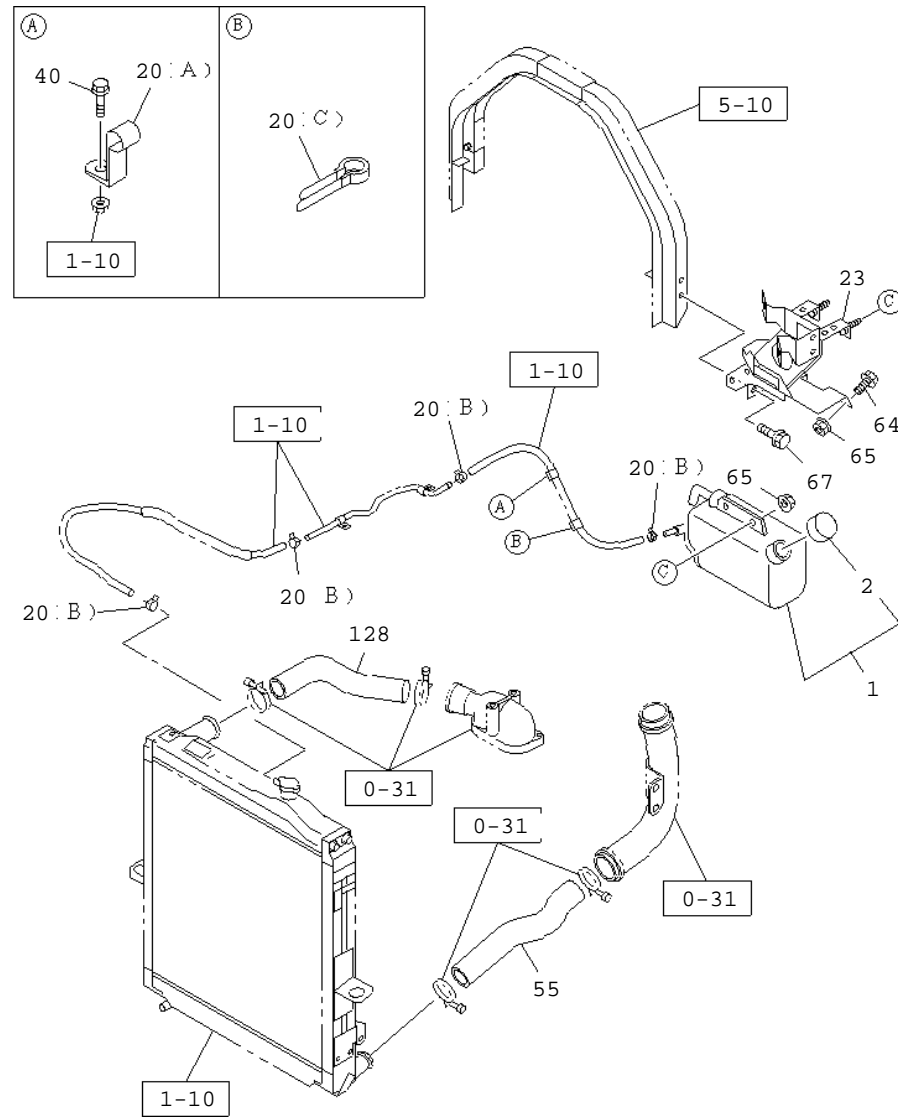
RADIATOR

KEY	R / C	PART NAME PART NUMBER	I T C	APPLIED DATE	L / R	Qty	APPLIED MODEL	RESTRICTION/REMARKS
								A 6HK1-TCN ENG(82L) B 6HK1-TCS ENG(80L)
220		0-91180-108-0		1312-1402		01	A	
		0-91180-108-0		1403-		01	AB	M8 FLANGE
232		COLLAR; DIST,CUSHION RUBBER 8-98141-232-0		1312-1402		04	A	
		8-98141-232-0		1403-		04	AB	M8 FLANGE
235		WASHER; CUSHION RUBBER 1-21469-133-0		1312-1402		02	A	IDN
		1-21469-133-0		1403-		02	AB	IDN
259		BRACKET; RAD STAY 8-98071-821-0		1312-1402	L	01	A	
		8-98071-821-0		1403-	L	01	AB	
		8-98071-822-0		1312-1402	R	01	A	
		8-98071-822-0		1403-	R	01	AB	
260		BOLT; BRKT 0-28650-820-0		1312-1402		04	A	M8X20 FLANGE IDN
		0-28650-820-0		1403-		04	AB	M8X20 FLANGE IDN
261		NUT; BRKT 0-91180-108-0		1312-1402		04	A	M8 FLANGE
		0-91180-108-0		1403-		04	AB	M8 FLANGE
267		RUBBER; CUSHION 1-21469-130-0		1312-1402		04	A	(A) IDN
		1-21469-130-0		1403-		04	AB	(A) IDN
		1-21469-131-0		1312-1402		02	A	(B) IDN
		1-21469-131-0		1403-		02	AB	(B) IDN
427		CLIP; FAN GUIDE 1-09470-009-0		1312-1402		01	A	
		1-09470-009-0		1403-		01	AB	
486		NUT; MTG RUBBER 0-91180-108-0		1312-1402		01	A	M8 FLANGE

1-10

RADIATOR

KEY	R / C	PART NAME PART NUMBER	I T C	APPLIED DATE	L / R	Qty	APPLIED MODEL	RESTRICTION/REMARKS
								A 6HK1-TCN ENG(82L) B 6HK1-TCS ENG(80L)
486		0-91180-108-0		1403-		01	AB	M8 FLANGE
526		TANK; UPR,RADIATOR CORE 8-98004-202-2		1312-1402		01	A	IDN
		8-98004-202-2		1403-		01	AB	IDN
527		TANK; LWR,RADIATOR CORE 8-98004-203-0		1312-1402		01	A	IDN
		8-98004-203-0		1403-		01	AB	IDN
528		PLATE; SIDE,RADIATOR CORE 8-98010-372-4		1403-	L	01	B	IDN
		8-98185-754-0		1403-	R	01	B	IDN
		8-98042-838-3		1312-	R	01	A	IDN
		8-98042-839-2		1312-	L	01	A	IDN
529		GASKET; CORE,RADIATOR 8-98004-206-0		1312-1402		02	A	IDN
		8-98004-206-0		1403-		02	AB	IDN
0-25		Move to 0-25						
0-31		Move to 0-31						
1-11		Move to 1-11						
1-35		Move to 1-35						
5-01		Move to 5-01						
0-11		Move to 0-11						
0-12		Move to 0-12						
0-60		Move to 0-60						
1-01		Move to 1-01						



1-11

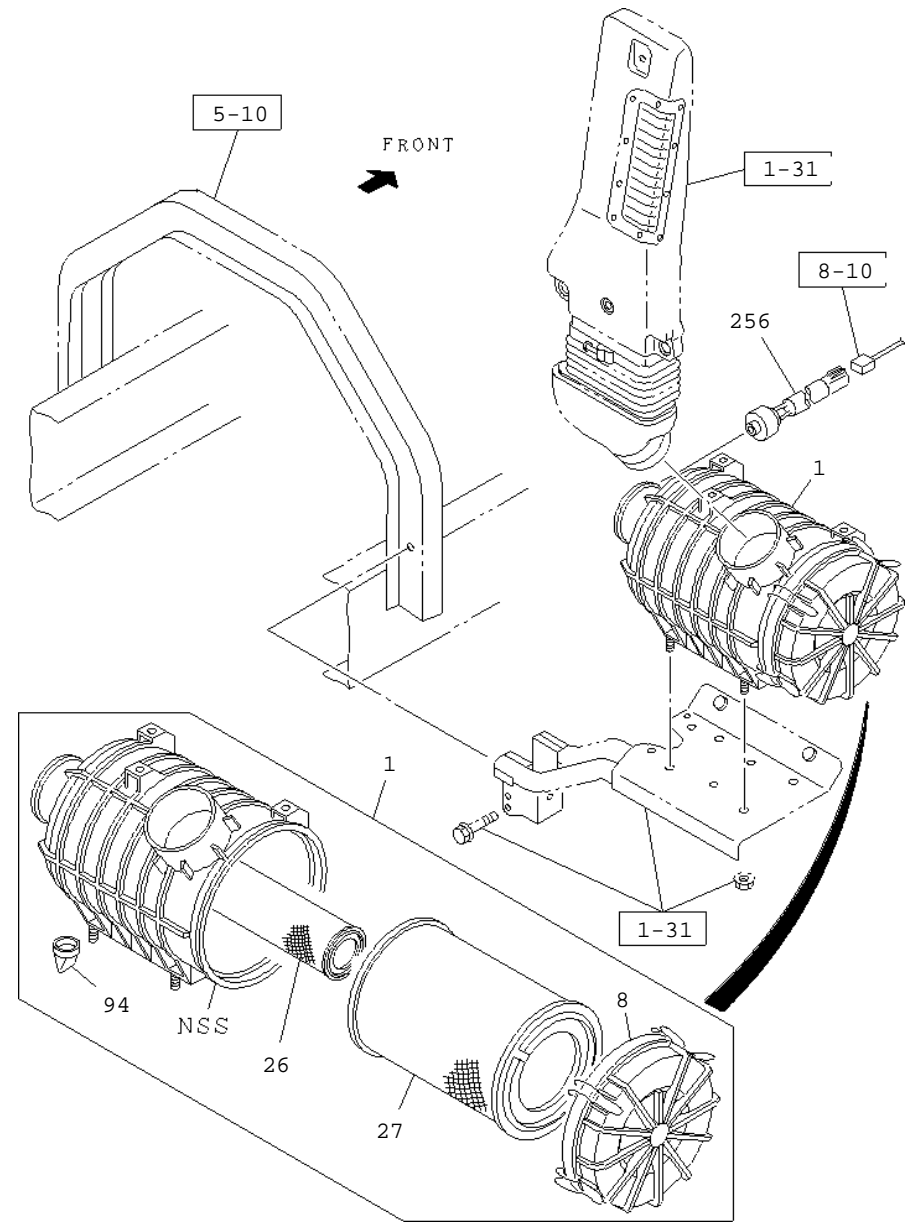
RADIATOR HOSE AND SUB TANK

KEY	R / C	PART NAME PART NUMBER	I T C	APPLIED DATE	Qty	APPLIED MODEL	RESTRICTION/REMARKS
							A 6HK1-TCN ENG(82L) B 6HK1-TCS ENG(80L)
1		TANK; SURGE,RAD 8-98171-757-0		1312-1402	01	A	
		8-98171-757-0		1403-	01	AB	
2		CAP; SURGE TANK 8-98178-074-0		1312-1402	01	A	
		8-98178-074-0		1403-	01	AB	
20		CLIP; HOSE,RAD 1-09700-620-0		1312-1402	01	A	
		1-09700-620-0		1403-	01	AB	(A) ID=13 H=40 L=25
		8-97375-638-0		1312-1402	04	A	(A) ID=13 H=40 L=25
		8-97375-638-0		1403-	04	AB	(B) ID=11.5
		9-09917-430-0		1312-1402	01	A	(B) ID=11.5
		9-09917-430-0		1403-	01	AB	(C) ID=20 L=50
23		BRACKET; RESERVE TANK 8-98049-965-4		1312-1402	01	A	
		8-98049-965-4		1403-	01	AB	
40		BOLT; CLIP 0-28650-820-0		1312-1402	01	A	
		0-28650-820-0		1403-	01	AB	M8X20 FLANGE IDN
55	B	HOSE; WATER,RAD OUTLET 8-98079-430-1		1403-	01	B	
		8-98079-429-1		1312-	01	A	IDN
64		BOLT; BRKT,SUB TANK 1-09030-093-0		1312-1402	01	A	
		1-09030-093-0		1403-	01	AB	M8X25 W/LK&PL WASHER
65		NUT; BRKT,SUB TANK 0-91180-108-0		1312-1402	03	A	
							M8X25 W/LK&PL WASHER M8 FLANGE

1-11

RADIATOR HOSE AND SUB TANK

KEY	R / C	PART NAME PART NUMBER	I T C	APPLIED DATE	Qty	APPLIED MODEL	RESTRICTION/REMARKS
							A 6HK1-TCN ENG(82L) B 6HK1-TCS ENG(80L)
65		0-91180-108-0		1403-	03	AB	M8 FLANGE
67		BOLT; BRKT 0-28650-820-0		1312-1402	03	A	M8X20 FLANGE IDN
		0-28650-820-0		1403-	03	AB	M8X20 FLANGE IDN
128	B	HOSE; WATER,RAD INL 8-98010-578-1		1403-	01	B	IDN
		8-98050-924-1		1312-	01	A	IDN
0-31		Move to 0-31					
1-10		Move to 1-10					
5-10		Move to 5-10					

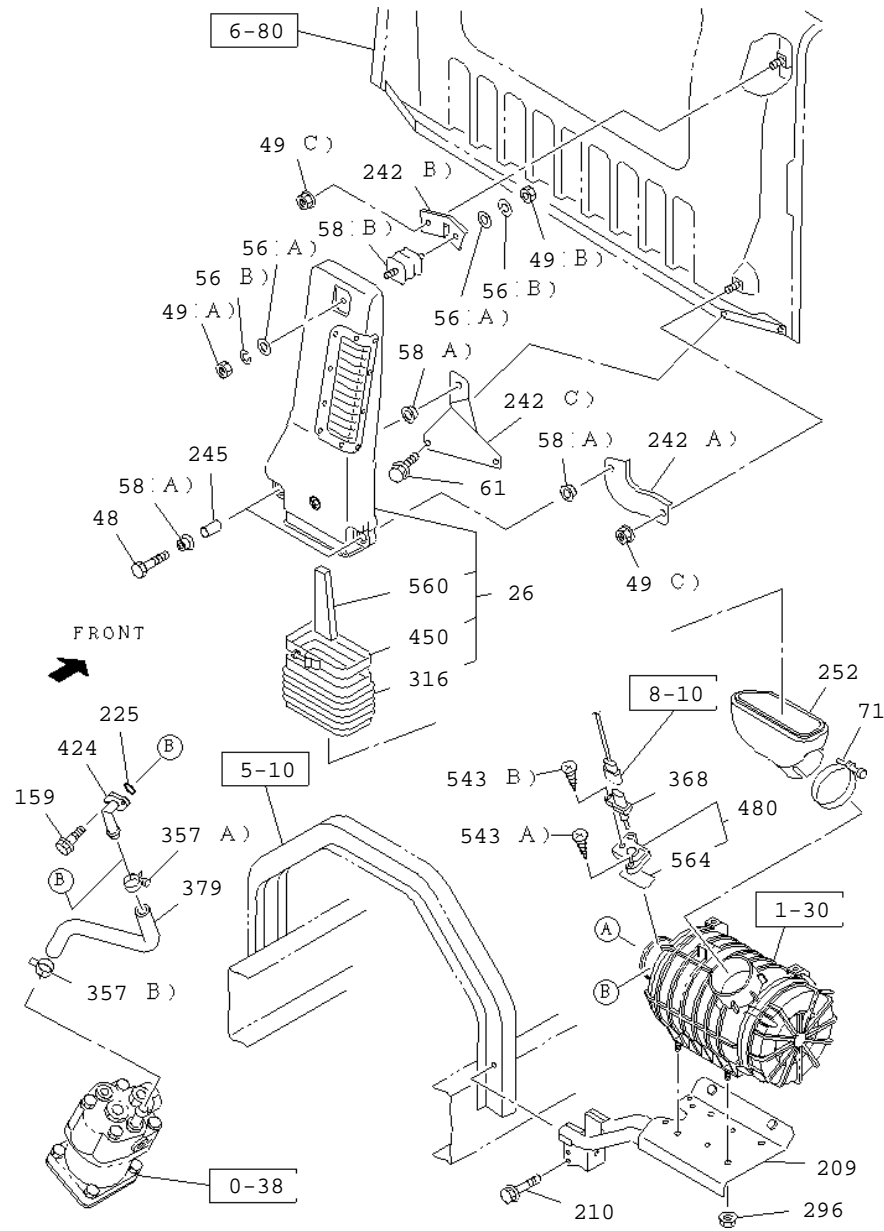


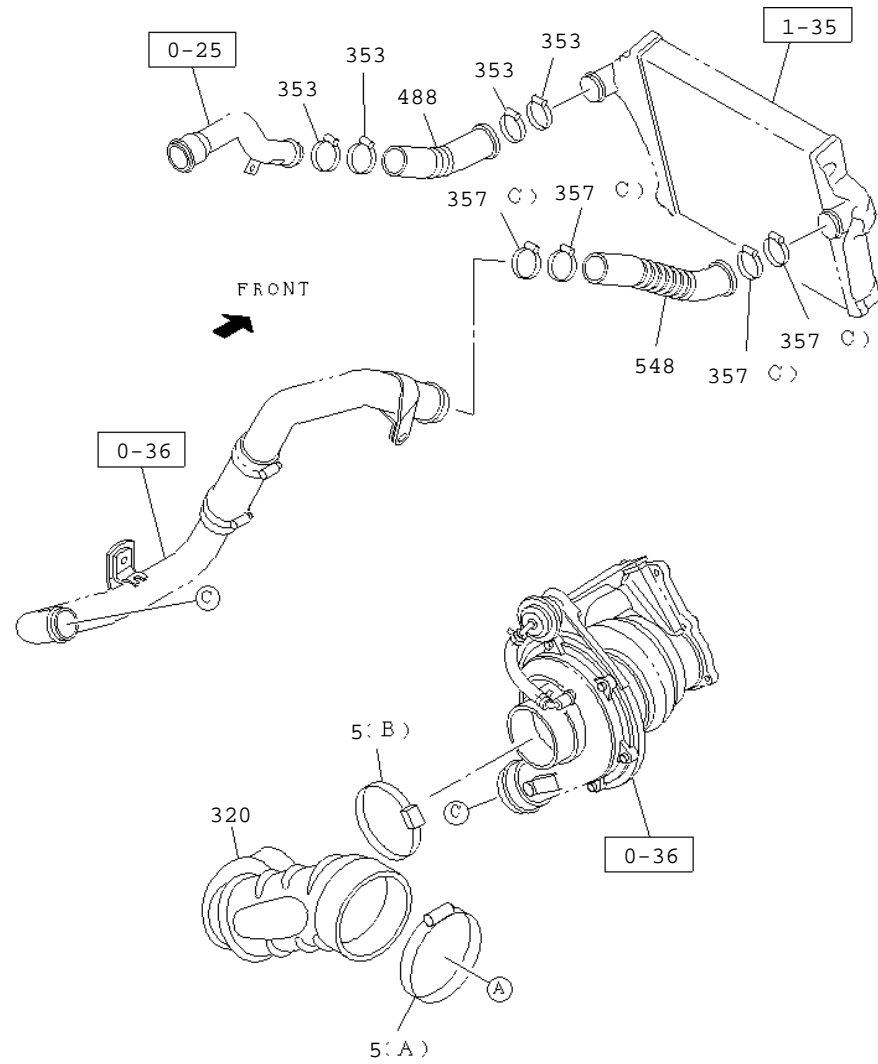
1-30

AIR CLEANER

KEY	R / C	PART NAME PART NUMBER	I T C	APPLIED DATE	L / R	Qty	APPLIED MODEL	RESTRICTION/REMARKS
								A 6HK1-TCN ENG(82L) B 6HK1-TCS ENG(80L)
1		CLEANER ASM; AIR 8-97948-126-0		1402-		01	A	VIN MODEL YEAR 2014<VZE> IDN
		8-97948-127-0		1403-		01	B	VIN MODEL YEAR 2014<VZE> IDN
		8-98057-666-3		1403-		01	B	EXC. VIN MODEL YEAR 2014<VZE>
		8-98082-165-1		1312-1401		01	A	
		8-98082-165-1		1402-		01	A	EXC. VIN MODEL YEAR 2014<VZE>
8		COVER ASM; ACL 8-98066-739-0		1403-		01	B	IDN
		8-98066-740-0		1312-		01	A	IDN
26	A	FILTER; ACL, INNER 8-97948-919-0		1402-	L	01	A	VIN MODEL YEAR 2014<VZE> IDN
		8-97948-921-0		1403-		01	B	VIN MODEL YEAR 2014<VZE> IDN
		8-98071-424-0		1403-		01	B	EXC. VIN MODEL YEAR 2014<VZE>
		8-98071-422-0		1312-1401		01	A	
		8-98071-422-0		1402-	L	01	A	EXC. VIN MODEL YEAR 2014<VZE>
27	A	FILTER; ACL, OUTER 8-97948-918-0		1402-	L	01	A	VIN MODEL YEAR 2014<VZE> IDN
		8-97948-920-0		1403-		01	B	VIN MODEL YEAR 2014<VZE> IDN
		8-98071-423-0		1403-		01	B	EXC. VIN MODEL YEAR 2014<VZE> DRY TYPE
		8-98071-421-0		1312-1401		01	A	
		8-98071-421-0		1402-	L	01	A	DRY TYPE EXC. VIN MODEL YEAR 2014<VZE> DRY TYPE
94		VALVE; VACUATOR 1-14219-279-0		1312-1402		01	A	IDN
		1-14219-279-0		1403-		01	AB	IDN
256		SENSOR; AIRFLOW 8-98152-742-1		1312-1402		01	A	
		8-98152-742-1		1403-		01	AB	
1-31		Move to 1-31						
5-10		Move to 5-10						
8-10		Move to 8-10						

1-31 AIR DUCT
DUCT FIXING





1-31

AIR DUCT

KEY	R / C	PART NAME PART NUMBER	I T C	APPLIED DATE	Qty	APPLIED MODEL	RESTRICTION/REMARKS
							A 6HK1-TCN ENG(82L) B 6HK1-TCS ENG(80L)
5		CLIP; AIR DUCT 8-98133-360-0		1403-	01	B	(A) ID=130-150
		8-98133-359-0		1312-	01	A	(A) ID=110-130
		8-98133-365-0		1312-1402	01	A	(B) ID=90-110
		8-98133-365-0		1403-	01	AB	(B) ID=90-110
26		DUCT; AIR INT 8-98010-361-2		1312-1402	01	A	
		8-98010-361-2		1403-	01	AB	
48		BOLT; AIR DUCT 1-09030-044-1		1312-1402	02	A	M10X26
		1-09030-044-1		1403-	02	AB	M10X26
49		NUT; AIR DUCT 1-09984-122-0		1312-1402	01	A	(B) M8 FLANGE
		1-09984-122-0		1403-	01	AB	(B) M8 FLANGE
		1-09984-126-0		1312-1402	01	A	(A) M8 FLANGE
		1-09984-126-0		1403-	01	AB	(A) M8 FLANGE
		8-94279-517-0		1312-1402	02	A	(C) M8 FLANGE IDN
		8-94279-517-0		1403-	02	AB	(C) M8 FLANGE IDN
56		WASHER; LK,AIR INT DUCT 1-09985-177-0		1312-1402	02	A	(A) ID=8.2

1-31

AIR DUCT

KEY	R / C	PART NAME PART NUMBER	I T C	APPLIED DATE	Qty	APPLIED MODEL	RESTRICTION/REMARKS
							A 6HK1-TCN ENG(82L) B 6HK1-TCS ENG(80L)
56		1-09985-177-0		1403-	02	AB	(A) ID=8.2
		1-09985-188-0		1312-1402	02	A	(B) ID=8.4 OD=22
		1-09985-188-0		1403-	02	AB	(B) ID=8.4 OD=22
58		SUPPORT; AIR INL DUCT 1-14119-267-0		1312-1402	04	A	(A) OD=40 T=18.5
		1-14119-267-0		1403-	04	AB	(A) OD=40 T=18.5
		8-98125-944-1		1312-1402	01	A	(B)
		8-98125-944-1		1403-	01	AB	(B)
61		BOLT; BRKT,AIR DUCT 8-98074-570-0		1312-1402	02	A	M8X25 FLANGE
		8-98074-570-0		1403-	02	AB	M8X25 FLANGE
71		CLIP; AIR DUCT 8-98133-368-0		1403-	01	B	ID=140-160
		8-98133-367-0		1312-	01	A	ID=120-140
159		BOLT; AIR PIPE 0-28050-616-0		1312-	02	A	M6X16 FLANGE IDN
209		BRACKET; ACL 8-97948-148-0		1312-1402	01	A	IDN
		8-97948-148-0		1403-	01	AB	IDN
210		BOLT; ACL BRKT 0-28651-025-0		1312-1402	04	A	M10X25 FLANGE IDN
		0-28651-025-0		1403-	04	AB	M10X25 FLANGE IDN
225		GASKET; AIR PIPE					

1-31

AIR DUCT

KEY	R / C	PART NAME PART NUMBER	I T C	APPLIED DATE	Qty	APPLIED MODEL	RESTRICTION/REMARKS
							A 6HK1-TCN ENG(82L) B 6HK1-TCS ENG(80L)
225		1-09623-057-0		1312-	01	A	
242		BRACKET; AIR DUCT 8-98019-301-3		1312-1402	01	A	ID=24.4
		8-98019-301-3		1403-	01	AB	(B)
		8-98019-302-1		1312-1402	01	A	(B)
		8-98019-302-1		1403-	01	AB	(C)
		8-98019-304-1		1312-1402	01	A	(C)
		8-98019-304-1		1403-	01	AB	(A)
245		PIECE; DIST,AIR DUCT 1-79998-228-0		1312-1402	02	A	(A)
		1-79998-228-0		1403-	02	AB	
252		DUCT; AIR INT 8-98021-989-1		1403-	01	B	
		8-98012-861-1		1312-	01	A	
296		NUT; ACL 0-91180-108-0		1312-1402	04	A	M8 FLANGE
		0-91180-108-0		1403-	04	AB	M8 FLANGE
316		RUBBER; CUSHION,DUCT 8-98152-269-0		1312-1402	01	A	
		8-98152-269-0		1403-	01	AB	
320		HOSE; CONN,ACL 8-98073-259-0		1403-	01	B	IDN
		8-98073-257-0		1312-	01	A	IDN
353		CLIP; RUBBER HOSE 8-98133-349-0		1312-1402	04	A	ID=55-75
		8-98133-349-0		1403-	04	AB	ID=55-75
357		CLIP; RUBBER HOSE 1-09707-091-0		1312-1402	01	A	(A) ID=26
		1-09707-091-0		1403-	01	AB	(A) ID=26

1-31

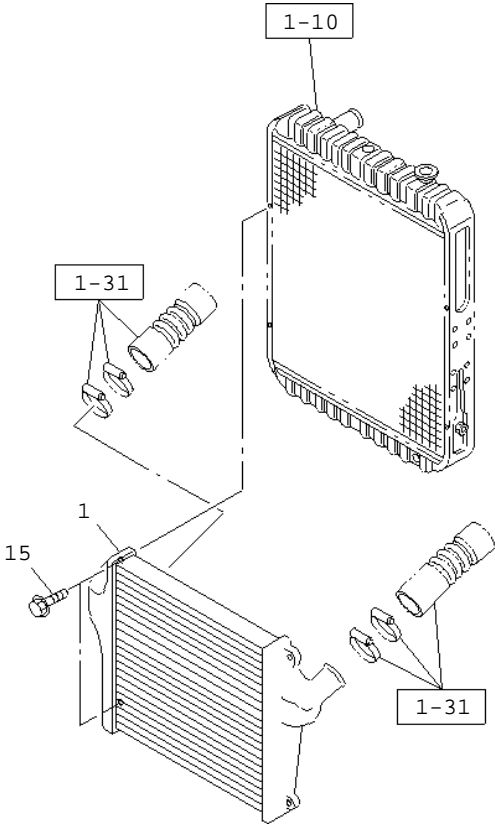
AIR DUCT

KEY	R / C	PART NAME PART NUMBER	I T C	APPLIED DATE	Qty	APPLIED MODEL	RESTRICTION/REMARKS
							A 6HK1-TCN ENG(82L) B 6HK1-TCS ENG(80L)
357		8-97354-979-0		1312-1402	01	A	(B) ID=29.5
		8-97354-979-0		1403-	01	AB	(B) ID=29.5
		8-98133-349-0		1312-1402	04	A	(C) ID=55-75
		8-98133-349-0		1403-	04	AB	(C) ID=55-75
368		SENSOR; TEMP 8-98065-377-0		1312-1402	01	A	
		8-98065-377-0		1403-	01	AB	
379		HOSE; RUBBER 8-97639-463-0		1403-	01	B	IDN
		8-97619-194-0		1312-	01	A	
424		PIPE; AIR, INL 8-98081-834-0		1312-	01	A	
450		CLAMP; HOSE 9-09915-504-1		1312-1402	01	A	
		9-09915-504-1		1403-	01	AB	
480		ADAPTER 8-98086-417-0		1312-1402	01	A	
		8-98086-417-0		1403-	01	AB	
488		HOSE; RUBBER, PIPE 8-98012-936-1		1312-1402	01	A	
		8-98012-936-1		1403-	01	AB	
543		SCREW; SENSOR 0-36220-514-0		1312-1402	01	A	(B) M5X14 W/LK WASHER
		0-36220-514-0		1403-	01	AB	(B) M5X14 W/LK WASHER
		0-36230-412-0		1312-1402	02	A	(A) M4X12 W/LK&PL WASHER
		0-36230-412-0		1403-	02	AB	(A) M4X12 W/LK&PL WASHER
548		HOSE; RUBBER, TURBO TO INL PIPE 8-98181-974-1		1312-1402	01	A	IDN
		8-98181-974-1		1403-	01	AB	IDN

1-31

AIR DUCT

KEY	R / C	PART NAME PART NUMBER	I T C	APPLIED DATE	Qty	APPLIED MODEL	RESTRICTION/REMARKS
							A 6HK1-TCN ENG(82L) B 6HK1-TCS ENG(80L)
560		FILTER; VERTICAL DUCT 8-98061-675-0		1312-1402	02	A	
		8-98061-675-0		1403-	02	AB	
564		GASKET; ADAPTER 8-98071-416-0		1312-1402	01	A	
		8-98071-416-0		1403-	01	AB	
0-38		Move to 0-38					
1-30		Move to 1-30					
5-10		Move to 5-10					
6-80		Move to 6-80					
8-10		Move to 8-10					
0-25		Move to 0-25					
0-36		Move to 0-36					
1-35		Move to 1-35					

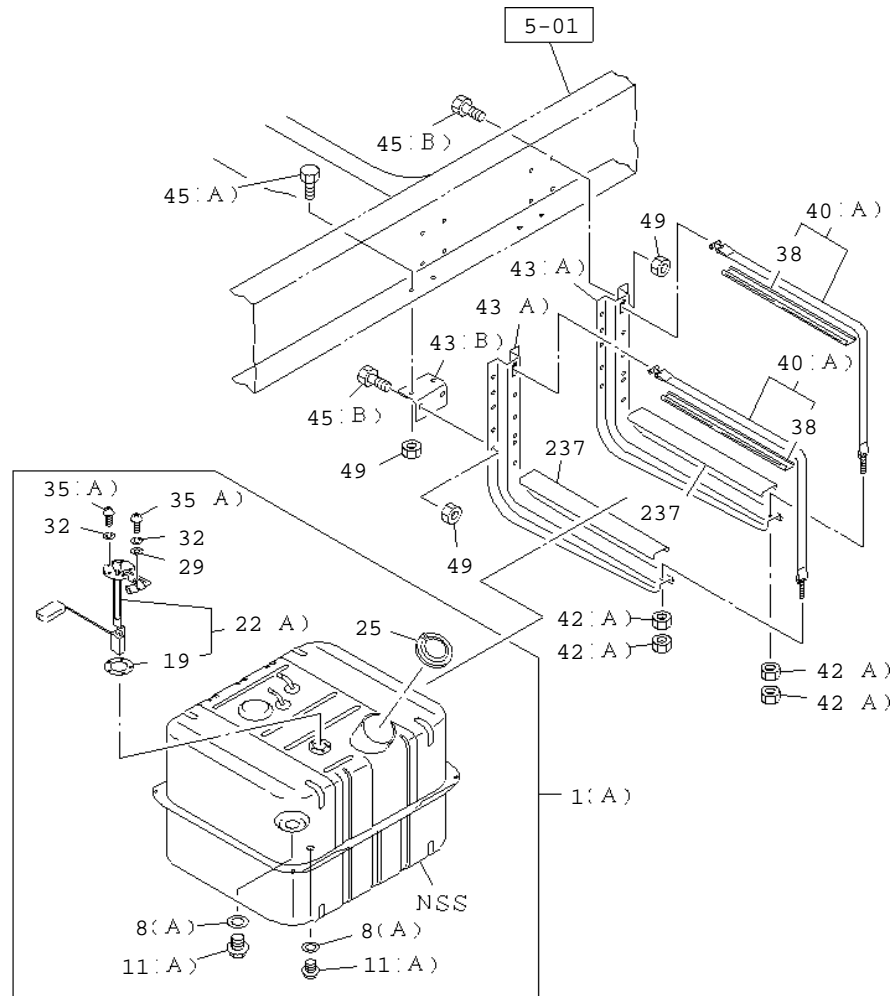


1-35

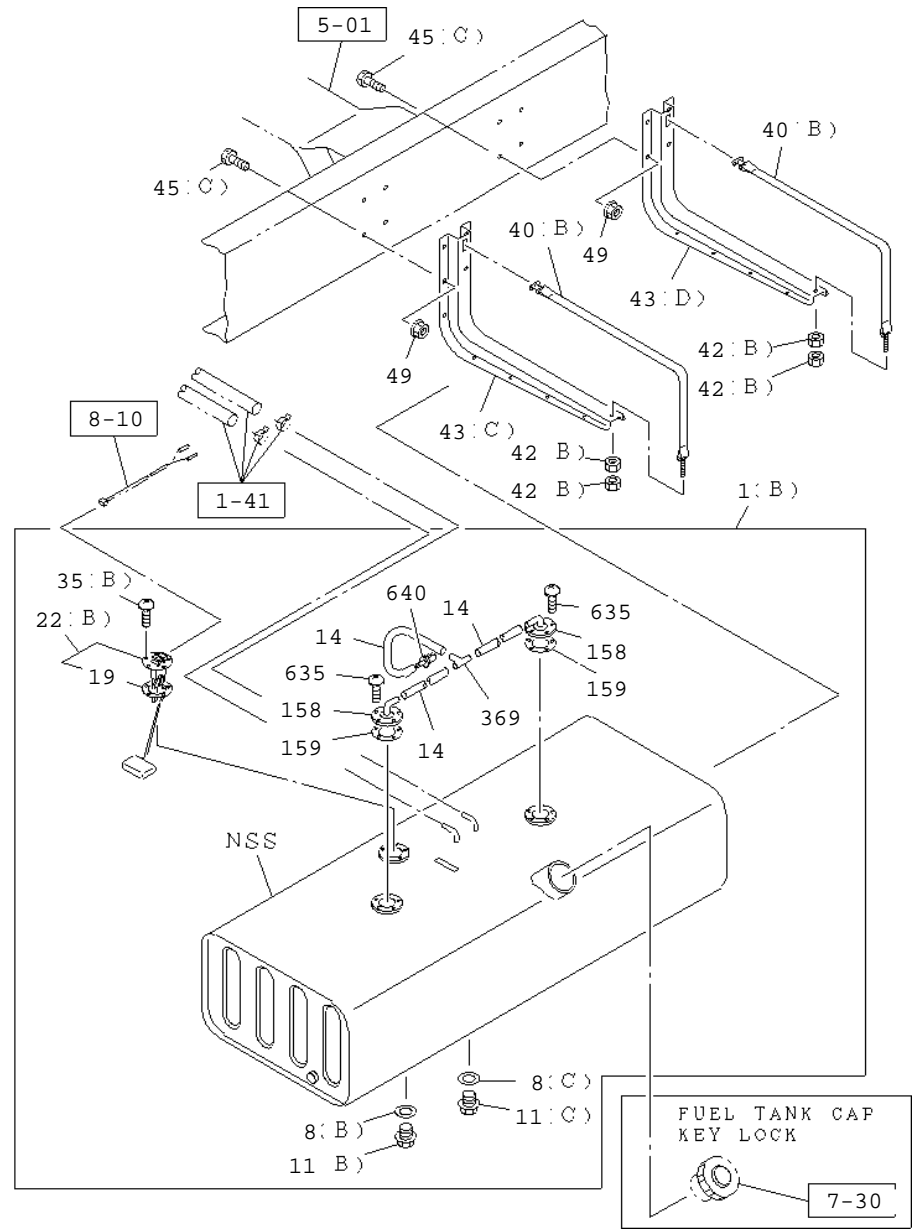
CHARGE AIR COOLER

KEY	R / C	PART NAME PART NUMBER	I T C	APPLIED DATE	Qty	APPLIED MODEL	RESTRICTION/REMARKS
							A 6HK1-TCN ENG(82L) B 6HK1-TCS ENG(80L)
1		COOLER; CHARGE AIR 8-98047-633-0		1312-1402	01	A	
		8-98047-633-0		1403-	01	AB	IDN
15		BOLT; CHARGE AIR COOLER 1-21469-151-0		1312-1402	04	A	IDN
		1-21469-151-0		1403-	04	AB	IDN
1-10		Move to 1-10					
1-31		Move to 1-31					

1-40 FUEL TANK
EXC.LOCALLY SUPPLIED PARTS



1-40 FUEL TANK
LOCALLY SUPPLIED PARTS



1-40

FUEL TANK

KEY	R / C	PART NAME PART NUMBER	I T C	APPLIED DATE	L / R	Qty	APPLIED MODEL	RESTRICTION/REMARKS
								A FVR WIDE CAB(FGR5MV) B GVR WIDE CAB(GGR5MV)
1		TANK; FUEL 8-98122-992-3		1312-1402	L	01	A	LOCALLY SUPPLIED PARTS<TKH> (B) 1345X532X322 200L IDN
		8-98122-992-3		1403-	L	01	AB	LOCALLY SUPPLIED PARTS<TKH> (B) 1345X532X322 200L IDN
		8-98182-507-0		1312-		01	A	EXC. LOCALLY SUPPLIED PARTS<TKH> (A) 720X610X496 200L
8		GASKET; DRAIN PLUG,FUEL TANK 8-98067-041-0		1312-1402	L	01	A	LOCALLY SUPPLIED PARTS<TKH> (B) ID=30 IDN
		8-98067-041-0		1403-	L	01	AB	LOCALLY SUPPLIED PARTS<TKH> (B) ID=30 IDN
		9-09571-418-0		1312-1402	L	01	A	LOCALLY SUPPLIED PARTS<TKH> (C) ID=18 IDN
		9-09571-418-0		1403-	L	01	AB	LOCALLY SUPPLIED PARTS<TKH> (C) ID=18 IDN
		9-09572-014-0		1312-		02	A	EXC. LOCALLY SUPPLIED PARTS<TKH> (A) ID=14.2 OD=23.0 IDN
11		PLUG; DRAIN,FUEL TANK 0-92002-418-0		1312-1402	L	01	A	LOCALLY SUPPLIED PARTS<TKH> (C) M18X12 IDN
		0-92002-418-0		1403-	L	01	AB	LOCALLY SUPPLIED PARTS<TKH> (C) M18X12 IDN
		8-98067-038-0		1312-1402	L	01	A	LOCALLY SUPPLIED PARTS<TKH> (B) IDN
		8-98067-038-0		1403-	L	01	AB	LOCALLY SUPPLIED PARTS<TKH> (B) IDN

11566 FVR/GVR(INDONESIA) 2014-

1-40

FUEL TANK

KEY	R / C	PART NAME PART NUMBER	I T C	APPLIED DATE	L / R	Qty	APPLIED MODEL	RESTRICTION/REMARKS
								A FVR WIDE CAB(FGR5MV) B GVR WIDE CAB(GGR5MV)
11		9-09862-156-0		1312-		02	A	EXC. LOCALLY SUPPLIED PARTS<TKH> (A) M14X14 IDN
14		HOSE; BREATHER,OUTLET 0-01256-300-0		1312-1402	L	01	A	LOCALLY SUPPLIED PARTS<TKH> L=90 SERVICED BY L=3000
		0-01256-300-0		1403-	L	01	AB	LOCALLY SUPPLIED PARTS<TKH> L=90 SERVICED BY L=3000
		0-01256-300-0		1312-1402	L	01	A	LOCALLY SUPPLIED PARTS<TKH> L=440 SERVICED BY L=3000
		0-01256-300-0		1403-	L	01	AB	LOCALLY SUPPLIED PARTS<TKH> L=440 SERVICED BY L=3000
		0-01256-300-0		1312-1402	L	01	A	LOCALLY SUPPLIED PARTS<TKH> L=450 SERVICED BY L=3000
		0-01256-300-0		1403-	L	01	AB	LOCALLY SUPPLIED PARTS<TKH> L=450 SERVICED BY L=3000
19		GASKET; FUEL TANK UNIT 5-83148-001-0		1312-1402		01	A	
		5-83148-001-0		1403-		01	A	
		5-83148-001-0		1403-		01	B	LOCALLY SUPPLIED PARTS<TKH>
22		UNIT; FUEL TANK 8-98099-320-0		1312-1402	L	01	A	LOCALLY SUPPLIED PARTS<TKH> (B) IDN
		8-98099-320-0		1403-	L	01	AB	LOCALLY SUPPLIED PARTS<TKH> (B) IDN
		1-83141-124-0		1312-		01	A	EXC. LOCALLY SUPPLIED PARTS<TKH> (A)
25	B	CAP; FILLER,FUEL TANK 1-22440-046-1		1312-		01	A	EXC. LOCALLY SUPPLIED PARTS<TKH>
29		WASHER; PL,FUEL TANK UNIT 0-91610-505-0		1312-		01	A	EXC. LOCALLY SUPPLIED PARTS<TKH> ID=5.3
32		WASHER; LK,FUEL TANK UNIT 0-91510-505-0		1312-		05	A	EXC. LOCALLY SUPPLIED PARTS<TKH> ID=5.1
35		SCREW; FUEL TANK UNIT 0-36220-512-0		1312-1402	L	05	A	LOCALLY SUPPLIED PARTS<TKH> (B) M5X12 W/LK WASHER

11566 FVR/GVR(INDONESIA) 2014-

1-40

FUEL TANK

KEY	R / C	PART NAME PART NUMBER	I T C	APPLIED DATE	L / R	Qty	APPLIED MODEL	RESTRICTION/REMARKS
								A FVR WIDE CAB(FGR5MV) B GVR WIDE CAB(GGR5MV)
35		0-36220-512-0		1403-	L	05	AB	LOCALLY SUPPLIED PARTS<TKH> (B)
		0-34218-510-0		1312-		05	A	M5X12 W/LK WASHER EXC. LOCALLY SUPPLIED PARTS<TKH> (A) M5X10
38		INSULATION; SUPPORT BELT 1-22553-022-1		1312-		02	A	EXC. LOCALLY SUPPLIED PARTS<TKH> L=650
40		BELT; SUPPORT,FUEL TANK 8-98042-715-1		1312-1402		02	A	LOCALLY SUPPLIED PARTS<TKH> (B) L=880
		8-98042-715-1		1403-		02	AB	IDN LOCALLY SUPPLIED PARTS<TKH> (B) L=880
		1-22550-204-2		1312-		02	A	IDN EXC. LOCALLY SUPPLIED PARTS<TKH> (A) L=1030
42		NUT; SUPPORT BELT 0-91110-512-0		1312-1402		04	A	LOCALLY SUPPLIED PARTS<TKH> (B)
		0-91110-512-0		1403-		04	AB	M12 LOCALLY SUPPLIED PARTS<TKH> (B)
		0-91110-510-0		1312-		04	A	M12 EXC. LOCALLY SUPPLIED PARTS<TKH> (A) M10
43		BRACKET; FUEL TANK 8-98088-123-0		1312-1402		01	A	LOCALLY SUPPLIED PARTS<TKH> (C)
		8-98088-123-0		1403-		01	AB	IDN LOCALLY SUPPLIED PARTS<TKH> (C)
		8-98122-883-0		1312-1402		01	A	IDN LOCALLY SUPPLIED PARTS<TKH> (D)
		8-98122-883-0		1403-		01	AB	IDN LOCALLY SUPPLIED PARTS<TKH> (D)
		8-98182-492-0		1312-		01	A	IDN EXC. LOCALLY SUPPLIED PARTS<TKH> (B) FRONT
		8-98182-493-0		1312-		01	A	EXC. LOCALLY SUPPLIED PARTS<TKH> (B) REAR

1-40

FUEL TANK

KEY	R / C	PART NAME PART NUMBER	I T C	APPLIED DATE	L / R	Qty	APPLIED MODEL	RESTRICTION/REMARKS
								A FVR WIDE CAB(FGR5MV) B GVR WIDE CAB(GGR5MV)
43		8-98202-542-0		1312-		02	A	EXC. LOCALLY SUPPLIED PARTS<TKH> (A)
45		BOLT; BRKT,FUEL TANK 0-28651-240-0		1312-1402		08	A	LOCALLY SUPPLIED PARTS<TKH> (C) M12X40 FLANGE
		0-28651-240-0		1403-		08	AB	LOCALLY SUPPLIED PARTS<TKH> (C) M12X40 FLANGE
		0-28651-235-0		1312-		12	A	EXC. LOCALLY SUPPLIED PARTS<TKH> (B) M12X35 FLANGE
		0-28651-240-0		1312-		04	A	EXC. LOCALLY SUPPLIED PARTS<TKH> (A) M12X40 FLANGE
49		NUT; BRKT 0-91180-212-0		1312-1402		08	A	LOCALLY SUPPLIED PARTS<TKH> M12 FLANGE
		0-91180-212-0		1403-		08	AB	LOCALLY SUPPLIED PARTS<TKH> M12 FLANGE
		0-91180-212-0		1312-		16	A	EXC. LOCALLY SUPPLIED PARTS<TKH> M12 FLANGE
158		VALVE; ROLL OVER & FLOAT 8-98067-039-0		1312-1402	L	02	A	LOCALLY SUPPLIED PARTS<TKH> IDN
		8-98067-039-0		1403-	L	02	AB	LOCALLY SUPPLIED PARTS<TKH> IDN
159		SEAL; ROLL OVER & FLOAT VALVE 1-83149-003-0		1312-1402	L	02	A	LOCALLY SUPPLIED PARTS<TKH> IDN
		1-83149-003-0		1403-	L	02	AB	LOCALLY SUPPLIED PARTS<TKH> IDN
237		GASKET; BRKT TO FUEL TANK 1-22553-003-0		1312-		02	A	EXC. LOCALLY SUPPLIED PARTS<TKH> L=580
369		JOINT; HOSE 8-98067-080-0		1312-1402	L	01	A	LOCALLY SUPPLIED PARTS<TKH> IDN
		8-98067-080-0		1403-	L	01	AB	LOCALLY SUPPLIED PARTS<TKH> IDN
635		SCREW; ROLL OVER & FLOAT VALVE 0-36220-512-0		1312-1402	L	10	A	LOCALLY SUPPLIED PARTS<TKH> M5X12 W/LK WASHER
		0-36220-512-0		1403-	L	10	AB	LOCALLY SUPPLIED PARTS<TKH> M5X12 W/LK WASHER
640		VENTILATOR; HOSE,BREATHER 8-98092-398-0		1312-1402	L	01	A	LOCALLY SUPPLIED PARTS<TKH> IDN

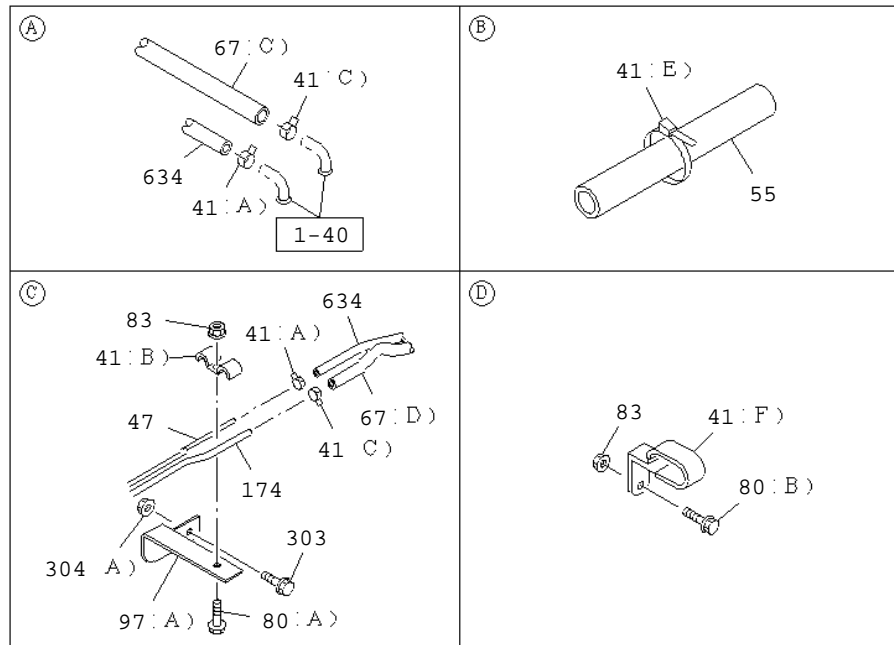
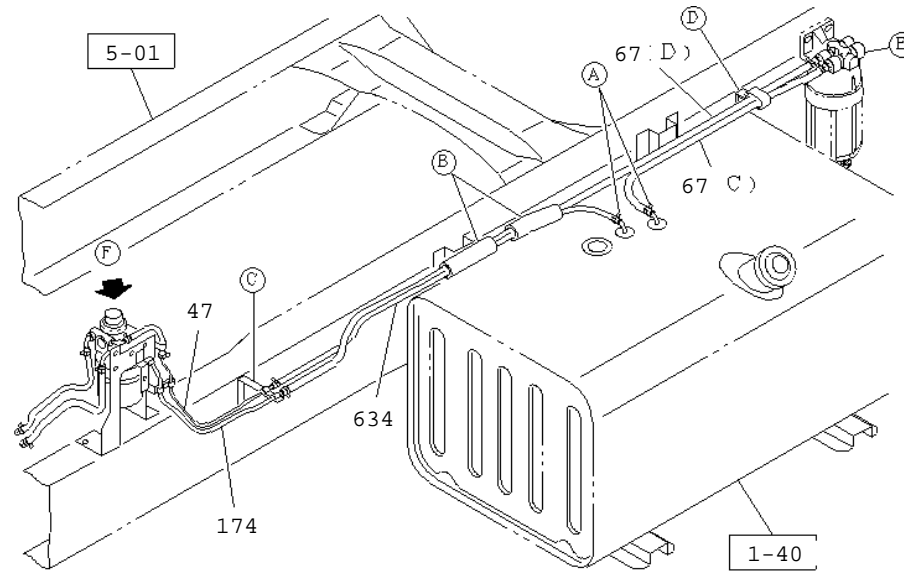
1-40

FUEL TANK

KEY	R / C	PART NAME PART NUMBER	I T C	APPLIED DATE	L / R	Qty	APPLIED MODEL	RESTRICTION/REMARKS
								A FVR WIDE CAB(FGR5MV) B GVR WIDE CAB(GGR5MV)
640		8-98092-398-0		1403-	L	01	AB	LOCALLY SUPPLIED PARTS<TKH> IDN
5-01		Move to 5-01						
1-41		Move to 1-41						
7-30		Move to 7-30						
8-10		Move to 8-10						

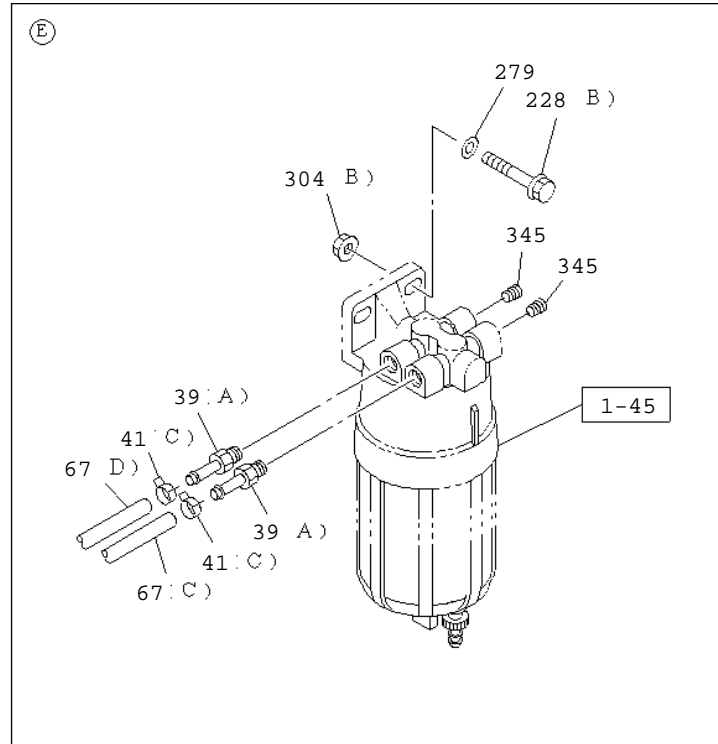
1-41 FUEL PIPING; CHASSIS

FVR;PIPING



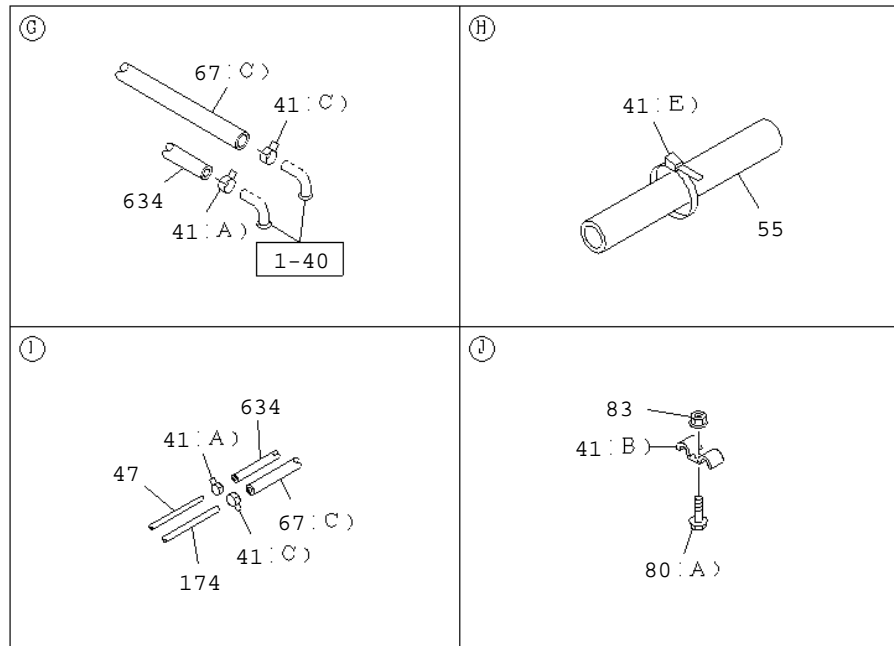
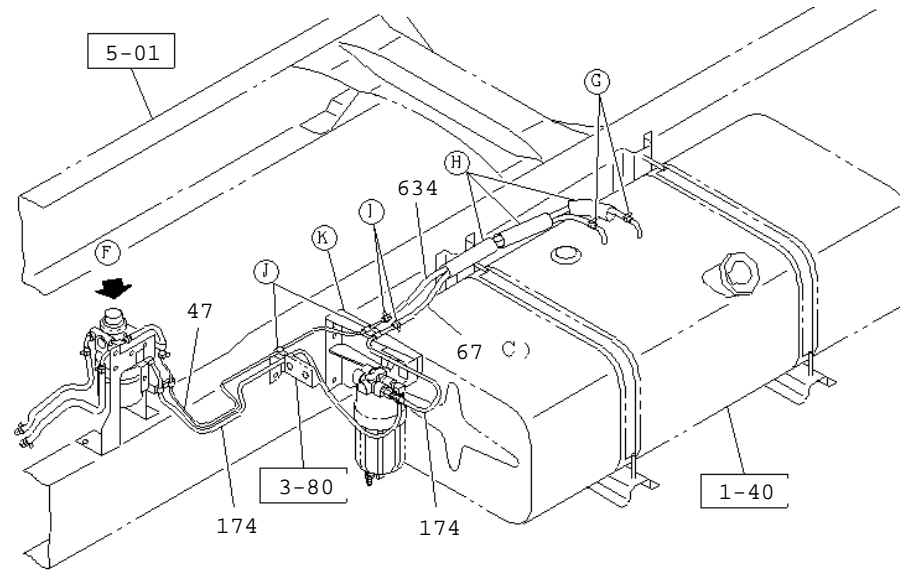
1-41 FUEL PIPING; CHASSIS

FVR;FUEL SEDIMENTER FIXING



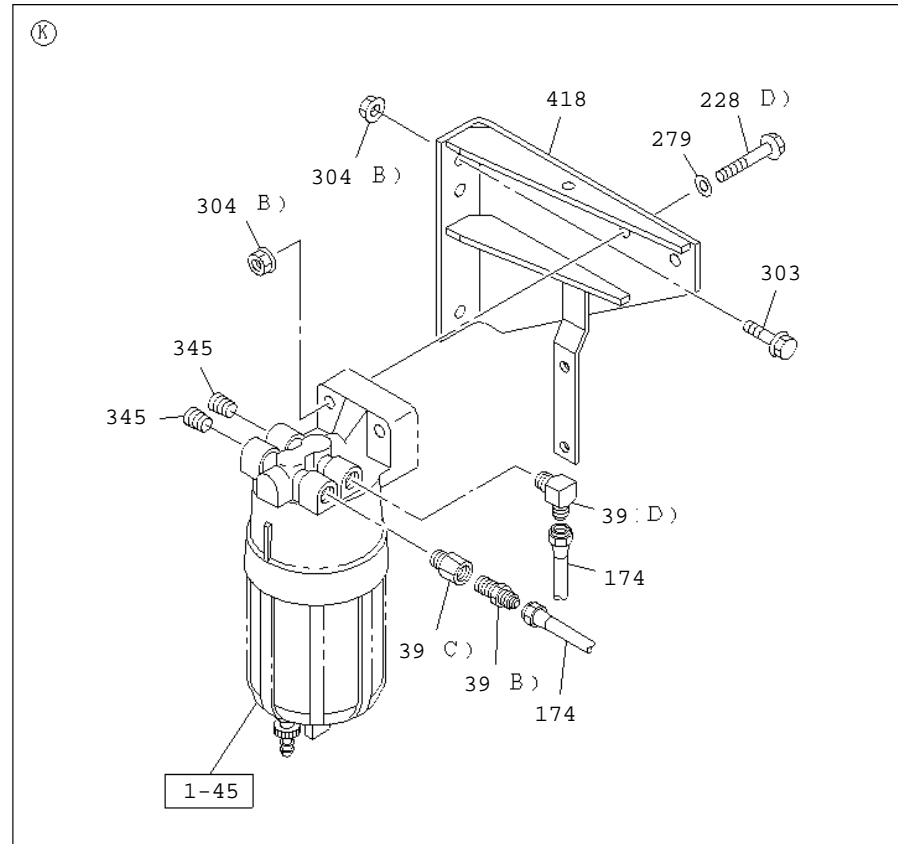
1-41 FUEL PIPING; CHASSIS

GVR;PIPING



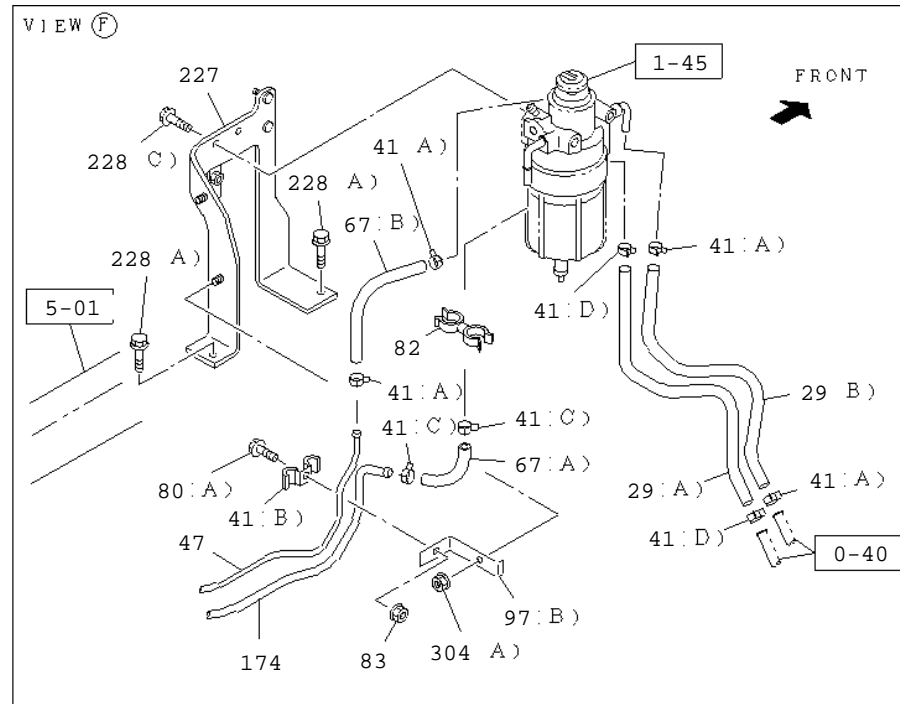
1-41 FUEL PIPING; CHASSIS

GVR;FUEL SEDIMENTER FIXING



1-41 FUEL PIPING; CHASSIS

PRE FUEL FILTER FIXING



1-41

FUEL PIPING; CHASSIS

KEY	R / C	PART NAME PART NUMBER	I T C	APPLIED DATE	Qty	APPLIED MODEL	RESTRICTION/REMARKS
							A FVR WIDE CAB(FGR5MV) B GVR WIDE CAB(GGR5MV)
29		HOSE; FUEL 8-98078-196-2		1312-1402	01	A	(A) IDN
		8-98078-196-2		1403-	01	AB	(A) IDN
		8-98078-197-1		1312-1402	01	A	(B) IDN
		8-98078-197-1		1403-	01	AB	(B) IDN
39		PIPE; FUEL 1-09650-233-1		1403-	01	B	(B) M16 & PT3/8 STRAIGHT
		1-09650-447-0		1403-	01	B	(D) M16 & NPTF3/8 ELBOW
		1-09660-548-0		1403-	01	B	(C) NPTF3/8 & RC3/8
		8-98122-953-0		1312-1402	02	A	(A) NPTF3/8-18 OD=10
		8-98122-953-0		1403-	02	AB	(A) NPTF3/8-18 OD=10
41		CLIP; FUEL PIPE,FUEL TANK 1-09700-747-0		1403-	03	B	(B) ID=11 & 9 L=17.5 & 17.5
		1-09704-102-0		1403-	04	B	(C) ID=14 IDN
		5-09707-030-1		1403-	03	B	(E) L=250 IDN
		1-09700-747-0		1312-1405	02	A	(B) ID=11 & 9 L=17.5 & 17.5
		1-09700-747-0		1406-	02	A	(B) ID=11 & 9 L=17.5 & 17.5

1-41

FUEL PIPING; CHASSIS

KEY	R / C	PART NAME PART NUMBER	I T C	APPLIED DATE	Qty	APPLIED MODEL	RESTRICTION/REMARKS
							A FVR WIDE CAB(FGR5MV) B GVR WIDE CAB(GGR5MV)
41		1-09701-101-0		1312-	03	A	(F) ID=14X2 H=30 L=25
		1-09704-102-0		1312-	06	A	(C) ID=14 IDN
		5-09707-030-1		1312-	04	A	(E) L=250 IDN
		8-94238-568-0		1312-1402	02	A	(D) ID=16 IDN
		8-94238-568-0		1403-	02	AB	(D) ID=16 IDN
		8-94238-571-0		1312-1402	06	A	(A) ID=13 IDN
		8-94238-571-0		1403-	06	AB	(A) ID=13 IDN
47		PIPE; FUEL, RETURN 8-98248-097-0		1403-	01	B	L=987
		8-98117-709-0		1312-1405	01	A	L=539 IDN
		8-98117-709-0		1406-	01	A	L=539 IDN
55		COVER; PIPE, FUEL TANK 1-09360-677-1		1403-	03	B	L=150 SERVICED BY L=1300
		1-09360-677-1		1312-	04	A	L=150 SERVICED BY L=1300
67		HOSE; FUEL, DELIVERY 0-01260-300-0		1312-	01	A	(C) L=960 SERVICED BY L=3000

11566 FVR/GVR (INDONESIA) 2014-

1-41

FUEL PIPING; CHASSIS

KEY	R / C	PART NAME PART NUMBER	I T C	APPLIED DATE	Qty	APPLIED MODEL	RESTRICTION/REMARKS
							A FVR WIDE CAB(FGR5MV) B GVR WIDE CAB(GGR5MV)
67		0-01260-300-0		1312-	01	A	(D) L=1900 SERVICED BY L=3000
		0-01260-300-0		1312-1402	01	A	(A) L=110 SERVICED BY L=3000
		0-01260-300-0		1403-	01	AB	(A) L=110 SERVICED BY L=3000
		0-01558-300-0		1312-1402	01	A	(B) L=210 SERVICED BY L=3000
		0-01558-300-0		1403-	01	AB	(B) L=210 SERVICED BY L=3000
		0-01260-300-0		1403-	01	B	(C) L=820 SERVICED BY L=3000
80		BOLT; CLIP,FUEL TANK 0-28650-820-0		1403-	03	B	(A) M8X20 FLANGE IDN
		0-28650-820-0		1312-	02	A	(A) M8X20 FLANGE IDN
		0-28650-830-0		1312-	03	A	(B) M8X30 FLANGE
82		CLIP; FUEL HOSE 8-94169-028-0		1312-1402	01	A	ID=13 & 16.5
		8-94169-028-0		1403-	01	AB	ID=13 & 16.5
83		NUT; CLIP,FUEL TANK 0-91180-108-0		1403-	03	B	M8 FLANGE 6HK1-TCN ENG(82L) M8 FLANGE
		0-91180-108-0		1312-1405	05	A	M8 FLANGE
		0-91180-108-0		1406-	05	A	M8 FLANGE

1-41

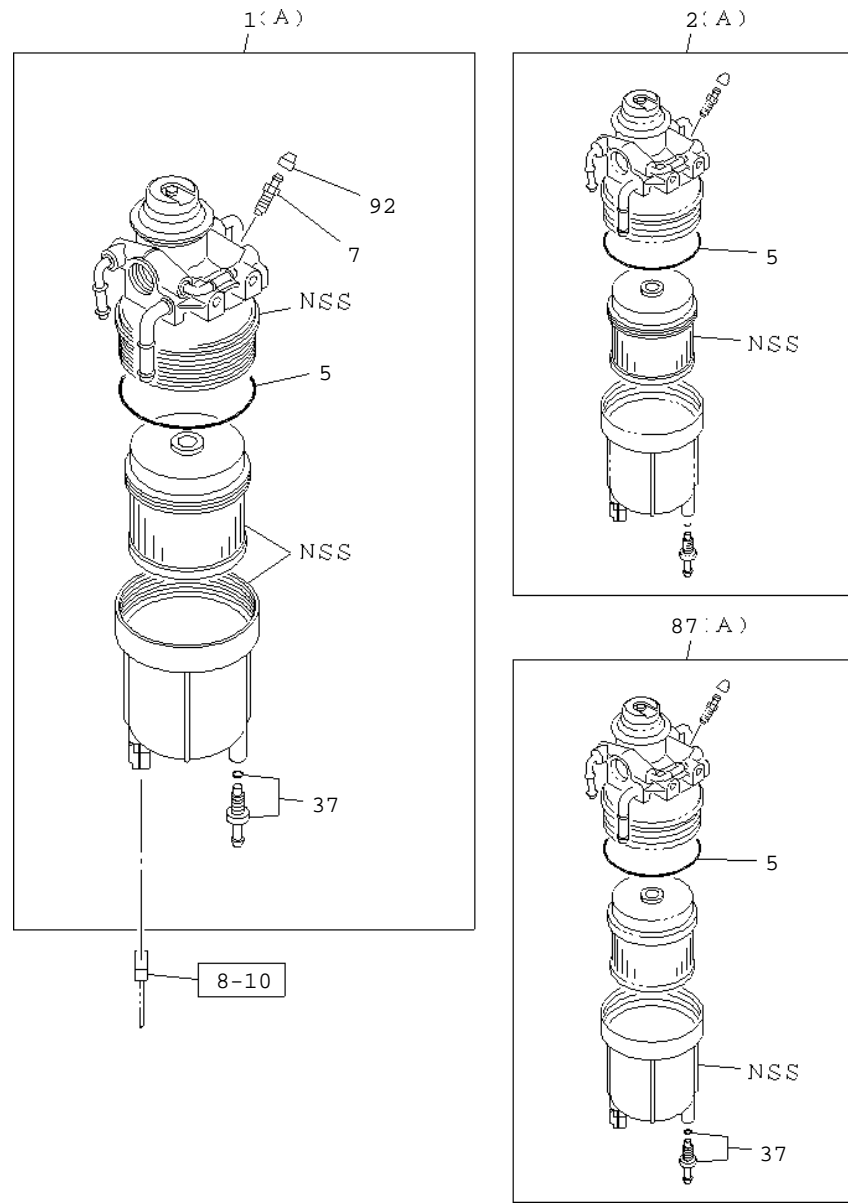
FUEL PIPING; CHASSIS

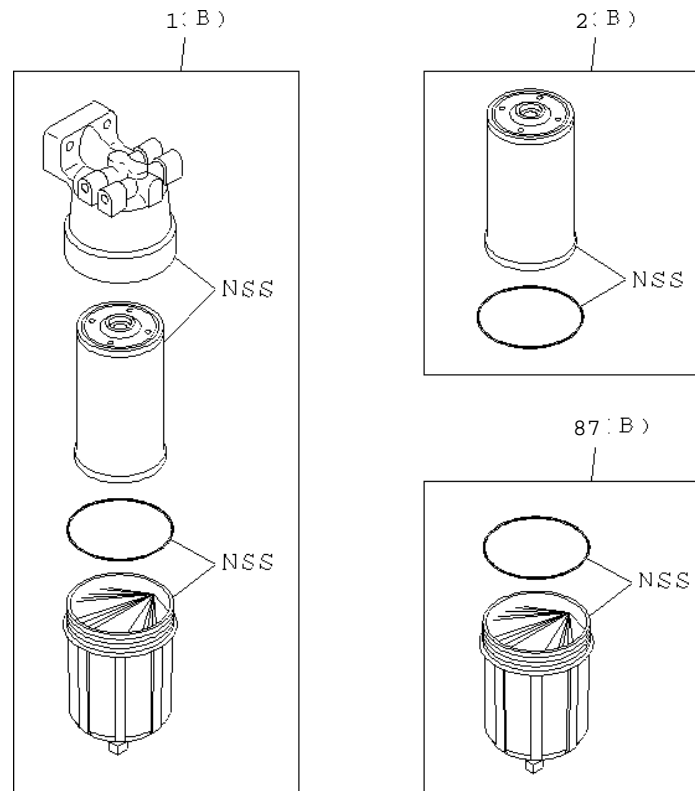
KEY	R / C	PART NAME PART NUMBER	I T C	APPLIED DATE	Qty	APPLIED MODEL	RESTRICTION/REMARKS
							A FVR WIDE CAB(FGR5MV) B GVR WIDE CAB(GGR5MV)
97		BRACKET; CLIP 8-98053-654-0		1312-1402	01	A	
		8-98053-654-0		1403-	01	AB	(B)
		8-98126-612-0		1312-	01	A	(B)
							(A)
174		PIPE; FUEL,FEED,FRT 8-98248-096-0		1403-	01	B	L=1089
		8-98248-098-0		1403-	01	B	L=489
		8-98117-708-0		1312-1405	01	A	L=548 IDN
		8-98117-708-0		1406-	01	A	L=548 IDN
227		BRACKET; FUEL SEDIMENTER 8-98044-366-3		1312-1402	01	A	
		8-98044-366-3		1403-	01	AB	
228		BOLT; BRKT,SEDIMENTER 0-28051-050-0		1403-	02	B	(D) M10X50 FLANGE
		0-28050-825-0		1312-1402	02	A	(A) M8X25 FLANGE
		0-28050-825-0		1403-	02	AB	(A) M8X25 FLANGE
		0-28051-060-0		1312-	02	A	(B) M10X60 FLANGE
		0-28650-820-0		1312-1402	02	A	(C) M8X20 FLANGE IDN
		0-28650-820-0		1403-	02	AB	(C) M8X20 FLANGE IDN
279		WASHER 0-91614-710-0		1312-1402	02	A	ID=10.5 OD=26
		0-91614-710-0		1403-	02	AB	ID=10.5 OD=26
303		BOLT; BRKT					

1-41

FUEL PIPING; CHASSIS

KEY	R / C	PART NAME PART NUMBER	I T C	APPLIED DATE	Qty	APPLIED MODEL	RESTRICTION/REMARKS
							A FVR WIDE CAB(FGR5MV) B GVR WIDE CAB(GGR5MV)
303		0-28651-035-0		1403-	02	B	M10X35 FLANGE IDN
		0-28650-835-0		1312-1405	02	A	M8X35 FLANGE
		0-28650-835-0		1406-	02	A	M8X35 FLANGE
304		NUT; BRKT 0-91180-108-0		1403-	01	B	(A) M8 FLANGE
		0-91180-108-0		1312-	03	A	(A) M8 FLANGE
		0-91180-210-0		1312-1402	02	A	(B) M10 FLANGE
		0-91180-210-0		1403-	02	AB	(B) M10 FLANGE
		0-91180-210-0		1403-	02	B	(B) M10 FLANGE
345		PLUG 8-97329-623-0		1312-1402	02	A	NPTF3/8-18
		8-97329-623-0		1403-	02	AB	NPTF3/8-18
418		BRACKET; PRE FUEL FILTER 8-98136-381-0		1403-	01	B	
634		HOSE; RUBBER RETURN 0-01558-300-0		1403-	01	B	L=730 SERVICED BY L=3000
		0-01558-300-0		1312-	01	A	L=1100 SERVICED BY L=3000
1-40		Move to 1-40					
5-01		Move to 5-01					
1-45		Move to 1-45					
3-80		Move to 3-80					
0-40		Move to 0-40					

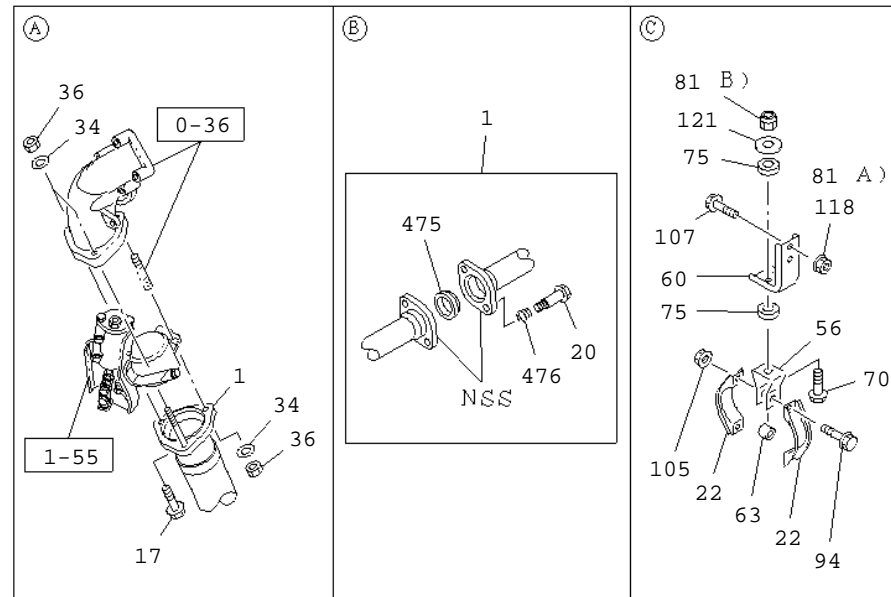
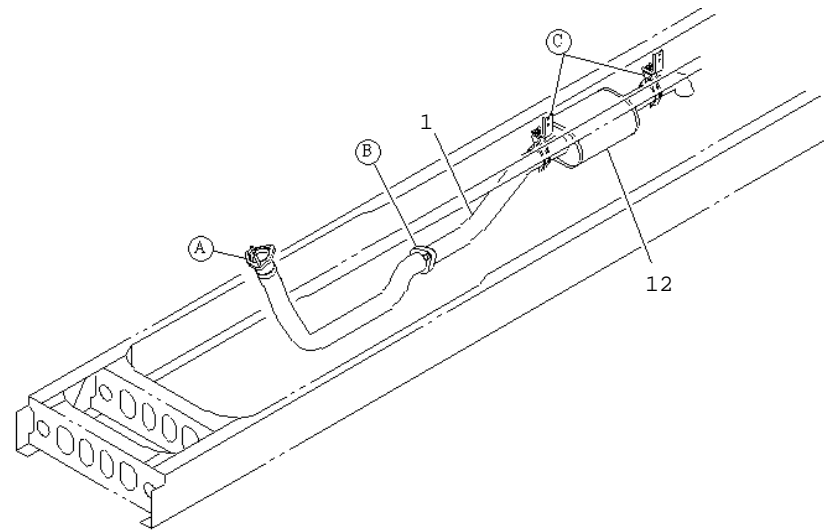




1-45

WATER SEDIMENTER; FUEL

KEY	R / C	PART NAME PART NUMBER	I T C	APPLIED DATE	Qty	APPLIED MODEL	RESTRICTION/REMARKS	
							A FVR WIDE CAB(FGR5MV)	B GVR WIDE CAB(GGR5MV)
1		SEDIMENTER; FUEL 8-98086-193-1		1312-1402	01	A		
		8-98086-193-1		1403-	01	AB	(B)	
		8-98162-904-3		1312-1402	01	A	(B)	
		8-98162-904-3		1403-	01	AB	(A)	
2	A	ELEMENT; FUEL FILTER 8-98092-481-1		1312-1402	01	A	(A)	
		8-98092-481-1		1403-	01	AB	(B)	
		8-98203-599-0		1312-1402	01	A	(B)	
		8-98203-599-0		1403-	01	AB	(A)	
5		GASKET; UPR COVER, SEDIMENTER 8-98203-600-0		1312-1402	01	A		
		8-98203-600-0		1403-	01	AB		
7		PLUG; DRAIN, SEDIMENTER 8-98034-312-0		1312-1402	01	A		
		8-98034-312-0		1403-	01	AB	M8X10	
37		PLUG; SENSOR 8-98037-095-0		1312-1402	01	A		
		8-98037-095-0		1403-	01	AB		
87	A	CASE ASM; SEDIMENTER 8-98039-987-1		1312-1402	01	A		
		8-98039-987-1		1403-	01	AB	(A)	
		8-98092-482-1		1312-1402	01	A	(A)	
		8-98092-482-1		1403-	01	AB	(B)	
92		CAP; DRAIN 8-98034-314-0		1312-1402	01	A		
		8-98034-314-0		1403-	01	AB	(B)	
8-10		Move to 8-10						



1-50

EXHAUST PIPE AND SILENCER

KEY	R / C	PART NAME PART NUMBER	I T C	APPLIED DATE	L / R	Qty	APPLIED MODEL	RESTRICTION/REMARKS
								A FVR WIDE CAB(FGR5MV) B GVR WIDE CAB(GGR5MV)
1		PIPE; EXH 8-98183-953-0		1312-1402	R	01	A	
		8-98183-953-0		1403-	R	01	AB	IDN
12	D	SILENCER ASM; EXH 8-98182-451-0		1312-1402		01	A	IDN
		8-98182-451-0		1403-		01	AB	IDN
17		BOLT; EXH PIPE 1-09000-293-0		1312-1402		01	A	
		1-09000-293-0		1403-		01	AB	M12X120
20		BOLT; FLANGE, EXH PIPE 8-97039-586-0		1312-1402	R	02	A	
		8-97039-586-0		1403-	R	02	AB	M10X49.8
22		CLAMP; EXH PIPE 1-22133-233-0		1312-1402		04	A	
		1-22133-233-0		1403-		04	AB	ID=80-84 IDN
34		WASHER; EXH PIPE 1-09500-030-0		1312-1402		03	A	
		1-09500-030-0		1403-		03	AB	ID=13 OD=24 DISH
36		NUT; EXH PIPE 1-09400-010-0		1312-1402		03	A	
		1-09400-010-0		1403-		03	AB	ID=13 OD=24 DISH
56		BRACKET; CLAMP, EXH PIPE 1-22139-045-0		1312-1402		02	A	
		1-22139-045-0		1403-		02	AB	L=40 B=50 H=74 IDN
60		BRACKET; FRAME TO BRKT 8-98183-955-0		1312-1402		02	A	
								L=40 B=50 H=74 IDN

1-50

EXHAUST PIPE AND SILENCER

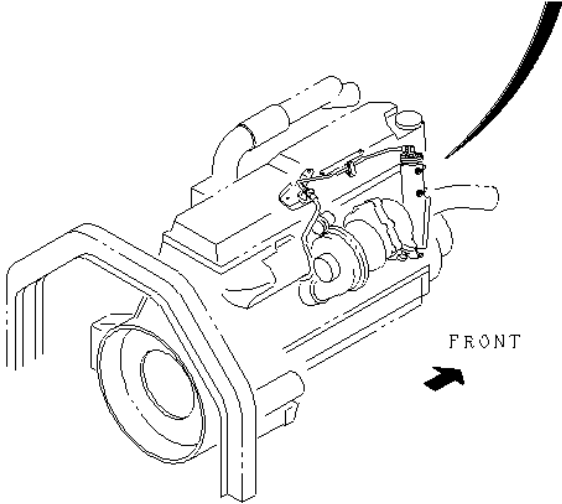
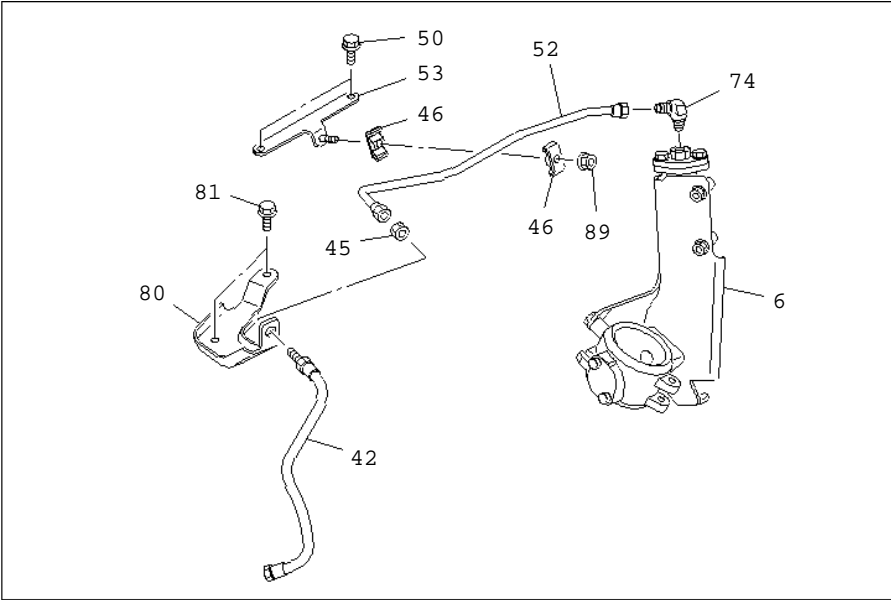
KEY	R / C	PART NAME PART NUMBER	I T C	APPLIED DATE	L / R	Qty	APPLIED MODEL	RESTRICTION/REMARKS
								A FVR WIDE CAB(FGR5MV) B GVR WIDE CAB(GGR5MV)
60		8-98183-955-0		1403-		02	AB	IDN
63		TUBE; DIST, BRKT 1-22139-026-0		1312-1402		02	A	L=11 IDN
		1-22139-026-0		1403-		02	AB	L=11 IDN
70		BOLT; BRKT 0-10856-050-0		1312-1402		02	A	M10X50
		0-10856-050-0		1403-		02	AB	M10X50
75		RUBBER; SUPPORT, BRKT 1-22159-106-1		1312-1402		04	A	OD=30
		1-22159-106-1		1403-		04	AB	OD=30
81		NUT; BRKT 0-91180-210-0		1312-1402		02	A	(A) M10 FLANGE
		0-91180-210-0		1403-		02	AB	(A) M10 FLANGE
		0-91370-010-0		1312-1402		02	A	(B) M10 LOCK NUT IDN
		0-91370-010-0		1403-		02	AB	(B) M10 LOCK NUT IDN
94		BOLT; CLAMP 0-28651-040-0		1312-1402		04	A	M10X40 FLANGE
		0-28651-040-0		1403-		04	AB	M10X40 FLANGE
105		NUT; CLAMP 0-91180-210-0		1312-1402		04	A	M10 FLANGE
		0-91180-210-0		1403-		04	AB	M10 FLANGE
107		BOLT; BRKT 0-28651-035-0		1312-1402		04	A	M10X35 FLANGE IDN

1-50

EXHAUST PIPE AND SILENCER

KEY	R / C	PART NAME PART NUMBER	I T C	APPLIED DATE	L / R	Qty	APPLIED MODEL	RESTRICTION/REMARKS
								A FVR WIDE CAB(FGR5MV) B GVR WIDE CAB(GGR5MV)
107		0-28651-035-0		1403-		04	AB	
118		NUT; SILENCER MTG BRKT 0-91180-210-0		1312-1402		02	A	M10X35 FLANGE IDN
		0-91180-210-0		1403-		02	AB	M10 FLANGE
121		WASHER; PL, BRKT 0-91614-810-0		1312-1402		02	A	M10 FLANGE
		0-91614-810-0		1403-		02	AB	ID=10.5 OD=32
475		BEARING; SEAL, VIBNON, EXH PIPE 1-22119-294-1		1312-1402	R	01	A	ID=10.5 OD=32
		1-22119-294-1		1403-	R	01	AB	OD=112
476		SPRING; VIBNON, EXH PIPE 8-94141-851-0		1312-1402	R	02	A	OD=112
		8-94141-851-0		1403-	R	02	AB	
0-36		Move to 0-36						
1-55		Move to 1-55						

11566 FVR/GVR (INDONESIA) 2014-



1-55

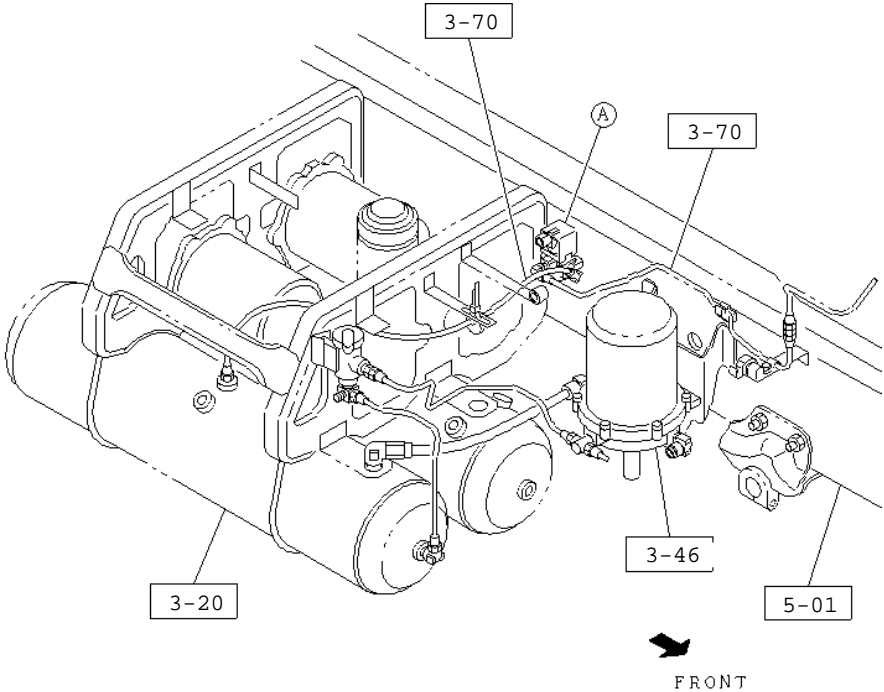
EXHAUST BRAKE VALVE AND CONTROL CYLINDER

KEY	R / C	PART NAME PART NUMBER	I T C	APPLIED DATE	Qty	APPLIED MODEL	RESTRICTION/REMARKS
							A 6HK1-TCN ENG(82L) B 6HK1-TCS ENG(80L)
6		VALVE; EXH BRAKE 8-97602-527-1		1312-1402	01	A	
		8-97602-527-1		1403-	01	AB	
42		HOSE; FLEX,EXH BRK 1-09363-608-0		1312-1402	01	A	L=300
		1-09363-608-0		1403-	01	AB	L=300
45		NUT; FLEX HOSE 9-09840-280-0		1312-1402	01	A	M12
		9-09840-280-0		1403-	01	AB	M12
46		CLIP; AIR PIPE 8-98148-996-2		1312-1402	02	A	
		8-98148-996-2		1403-	02	AB	
50		BOLT; BRKT 0-28050-812-0		1312-1402	02	A	M8X12 FLANGE
		0-28050-812-0		1403-	02	AB	M8X12 FLANGE
52		PIPE ASM; AIR FLEX HOSE 8-97603-547-0		1312-1402	01	A	
		8-97603-547-0		1403-	01	AB	
53		BRACKET; CLIP 8-98182-766-0		1312-1402	01	A	IDN
		8-98182-766-0		1403-	01	AB	IDN
74		CONNECTOR; EXH BRK VLV 1-09650-430-0		1312-1402	01	A	M12 & PT1/4 ELBOW
		1-09650-430-0		1403-	01	AB	M12 & PT1/4 ELBOW
80		BRACKET; FLEX HOSE 8-98182-767-0		1312-1402	01	A	IDN
		8-98182-767-0		1403-	01	AB	IDN
81		BOLT; HOSE BRKT 0-28050-812-0		1312-1402	02	A	M8X12 FLANGE
		0-28050-812-0		1403-	02	AB	M8X12 FLANGE
89		NUT; BRKT 0-91180-106-0		1312-1402	01	A	M6 FLANGE

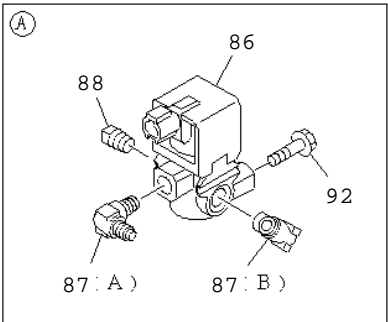
1-55

EXHAUST BRAKE VALVE AND CONTROL CYLINDER

KEY	R / C	PART NAME PART NUMBER	I T C	APPLIED DATE	Qty	APPLIED MODEL	RESTRICTION/REMARKS
							A 6HK1-TCN ENG(82L) B 6HK1-TCS ENG(80L)
89		0-91180-106-0		1403-	01	AB	M6 FLANGE



FRONT



1-56

EXHAUST BRAKE SYSTEM

KEY	R / C	PART NAME PART NUMBER	I T C	APPLIED DATE	Qty	APPLIED MODEL	RESTRICTION/REMARKS
							A 6HK1-TCN ENG(82L) B 6HK1-TCS ENG(80L)
86		VALVE; MAG, EXH BRK 8-97948-152-0		1312-	01	A	IDN
87		CONNECTOR 1-09650-430-0		1312-	01	A	(A) M12 & PT1/4 ELBOW
		1-09660-956-0		1312-	01	A	(B) DIN8 & R1/4 ELBOW
88		PLUG 9-99204-513-0		1312-	01	A	PT1/4
92		BOLT; MAG VLV 0-28650-830-0		1312-	02	AB	LEAF SUS(FG****) M8X30 FLANGE
3-20		Move to 3-20					
3-46		Move to 3-46					
3-70		Move to 3-70					
5-01		Move to 5-01					