

## 3-01

## FRONT WHEEL BRAKE

KEY	R / C	PART NAME PART NUMBER	I T C	APPLIED DATE	L / R	Qty	APPLIED MODEL	RESTRICTION/REMARKS	
								A FVR WIDE CAB(FGR5MV)	B GVR WIDE CAB(GGR5MV)
1	A	SHOE; BRK,FRT 1-47170-441-0 1-47170-441-0		1312-1402 1403-		04 04	A AB		
2		LINING; FRT BRK SHOE, STANDARD 1-47126-758-0 1-47126-758-0		1312-1402 1403-		08 08	A AB		
3		LINING; FRT BRK SHOE, OVER SIZE 1-47126-759-0 1-47126-759-0		1312-1402 1403-		08 08	A AB		
4	A	LINING SET; FRT BRK, STANDARD 1-88311-353-1 1-88311-353-1		1312-1402 1403-		02 02	A AB		
5		LINING SET; FRT BRK, OVER SIZE 1-88311-354-1 1-88311-354-1		1312-1402 1403-		02 02	A AB		
7		RIVET; LINING, FRT BRK 1-09732-034-0  1-09732-034-0		1312-1402  1403-		80  80	A  AB	L=18.5	L=18.5
8		BUSHING; BRK SHOE 1-47112-011-0 1-47112-011-0		1312-1402 1403-		04 04	A AB		
14		PIN; SHOE RETURN SPR 1-47119-017-1  1-47119-017-1		1312-1402  1403-		04  04	A  AB	L=73.5	L=73.5
15	B	CYLINDER; WHEEL, FRT BRK 1-47601-122-0 1-47601-122-0 1-47601-123-0 1-47601-123-0		1312-1402 1403- 1312-1402 1403-	R R L L	01 01 01 01	A AB A AB		
16		SCREW; BLEEDER, FRT BRK 1-47615-005-0  1-47615-005-0		1312-1402  1403-		02  02	A  AB	L=66.5	L=66.5
17		CAP; BLEEDER, FRT WHEEL CYL 1-47619-011-0  1-47619-011-0		1312-1402  1403-		02  02	A  AB	OD=12	OD=12
20		BOLT; JOINT 1-47634-006-0  1-47634-006-0		1312-1402  1403-		02  02	A  AB	M12X40.5 EYE BOLT	M12X40.5 EYE BOLT

## 3-01

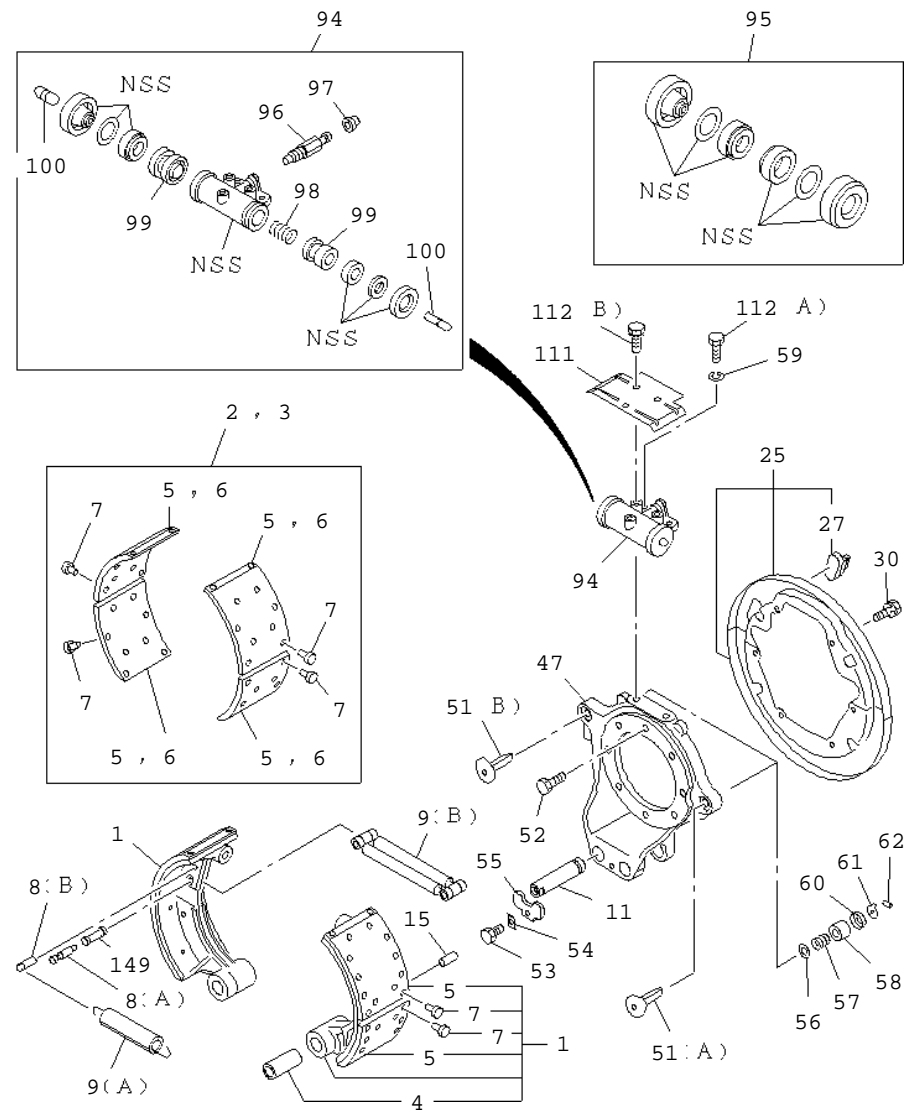
## FRONT WHEEL BRAKE

KEY	R / C	PART NAME PART NUMBER	I T C	APPLIED DATE	L / R	Qty	APPLIED MODEL	RESTRICTION/REMARKS
								A FVR WIDE CAB(FGR5MV) B GVR WIDE CAB(GGR5MV)
21		GASKET; UNION BOLT 1-09630-019-0		1312-1402		02	A	(A) ID=15.2
		1-09630-019-0		1403-		02	AB	(A) ID=15.2
		1-09630-020-0		1312-1402		02	A	(B) ID=12.2
		1-09630-020-0		1403-		02	AB	(B) ID=12.2
22		JOINT; PIPE 1-47631-057-1		1312-1402		02	A	
		1-47631-057-1		1403-		02	AB	
23		SPRING; COIL 9-09940-435-0		1312-1402		02	A	
		9-09940-435-0		1403-		02	AB	
24		PISTON; FRT WHEEL CYL 1-47624-389-0		1312-1402		04	A	
		1-47624-389-0		1403-		04	AB	
26	A	CUP SET; FRT WHEEL CYL 1-87830-676-0		1312-1402		02	A	
		1-87830-676-0		1403-		02	AB	
27		ROD; PUSH 1-47621-009-0		1312-1402		04	A	
		1-47621-009-0		1403-		04	AB	
28		PIN; SHOE ADJ CAM GUIDE 1-47116-002-0		1312-1402		04	A	
		1-47116-002-0		1403-		04	AB	
29		SPRING; RETURN,FRT BRK SHOE 1-09583-269-1		1312-1402		02	A	
		1-09583-269-1		1403-		02	AB	
30		BRACKET; ANCHOR,FRT 1-47137-435-0		1312-1402		02	A	
		1-47137-435-0		1403-		02	AB	
33		COVER; WHEEL CYL 1-47159-080-0		1312-1402		02	A	
		1-47159-080-0		1403-		02	AB	
34		PLATE; DIRECTION,FRT 1-47159-094-0		1312-1402		02	A	
		1-47159-094-0		1403-		02	AB	
35		BOLT; FRT WHEEL CYL 0-50551-235-0		1312-1402		04	A	M12X35 W/LK WASHER
		0-50551-235-0		1403-		04	AB	M12X35 W/LK WASHER

## 3-01

## FRONT WHEEL BRAKE

KEY	R / C	PART NAME PART NUMBER	I T C	APPLIED DATE	L / R	Qty	APPLIED MODEL	RESTRICTION/REMARKS
								A FVR WIDE CAB(FGR5MV) B GVR WIDE CAB(GGR5MV)
36		CAM ASM; ADJ 1-47165-058-1		1312-1402		02	A	
		1-47165-058-1		1403-		02	AB	(A)
		1-47165-059-1		1312-1402		02	A	(A)
		1-47165-059-1		1403-		02	AB	(B)
37		WASHER; ADJ CAM 1-47169-033-0		1312-1402		04	A	(B)
		1-47169-033-0		1403-		04	AB	(B)
38		SPRING; ADJ CAM 1-47169-046-0		1312-1402		04	A	
		1-47169-046-0		1403-		04	AB	
39		BOOT; ADJ CAM 1-47169-034-0		1312-1402		04	A	
		1-47169-034-0		1403-		04	AB	
40		COVER; BOOT,ADJ CAM 1-47169-031-0		1312-1402		04	A	
		1-47169-031-0		1403-		04	AB	
41		INDICATOR 1-47169-032-1		1312-1402		04	A	
		1-47169-032-1		1403-		04	AB	
42		PIN; SPINDLE 1-47169-030-0		1312-1402		04	A	
		1-47169-030-0		1403-		04	AB	
43		PIN; ANCHOR 1-47131-038-0		1312-1402		04	A	L=106.5
		1-47131-038-0		1403-		04	AB	L=106.5
44		BOLT; LOCK,ANCHOR PIN 0-20851-016-0		1312-1402		02	A	M10X16
		0-20851-016-0		1403-		02	AB	M10X16
45		WASHER; LK 1-47133-011-0		1312-1402		02	A	
		1-47133-011-0		1403-		02	AB	
46		PLATE; LOCK 1-47133-005-0		1312-1402		02	A	
		1-47133-005-0		1403-		02	AB	
263		SPACER 8-98245-496-1		1312-1402		04	A	
		8-98245-496-1		1403-		04	AB	



## 3-05

## REAR WHEEL BRAKE

KEY	R / C	PART NAME PART NUMBER	I T C	APPLIED DATE	Qty	APPLIED MODEL	RESTRICTION/REMARKS	
							A FVR WIDE CAB(FGR5MV)	B GVR WIDE CAB(GGR5MV)
1	A	SHOE; BRK,RR 1-47170-442-0 1-47170-442-0		1312-1402 1403-	04 04	A AB		
2	A	LINING SET; RR BRK,STANDARD 1-88311-359-1 1-88311-359-1		1312-1402 1403-	02 02	A AB		
3		LINING SET; RR BRK,OVER SIZE 1-88311-360-1 1-88311-360-1		1312-1402 1403-	02 02	A AB		
4		BUSHING; BRK SHOE,RR WHEEL 1-47112-012-0 1-47112-012-0		1312-1402 1403-	04 04	A AB		
5		LINING; RR BRK SHOE,STANDARD 1-47126-760-0 1-47126-760-0		1312-1402 1403-	08 08	A AB		
6		LINING; RR BRK SHOE,OVER SIZE 1-47126-761-0 1-47126-761-0		1312-1402 1403-	08 08	A AB		
7		RIVET; LINING,RR BRK 1-09732-034-0  1-09732-034-0		1312-1402 1403-	AR AR	A AB		L=18.5 L=18.5
8		PIN; RETURN SPRING,RR BRK SHOE 1-09744-051-0  1-09744-051-0  1-47119-025-0  1-47119-025-0		1312-1402 1403- 1312-1402 1403-	04 04 04 04	A AB A AB		(A) (A) (B) (B)
9		SPRING; RETURN,BRK SHOE 1-09583-175-0  1-09583-175-0  1-09583-210-0  1-09583-210-0		1312-1402 1403- 1312-1402 1403-	02 02 02 02	A AB A AB		(A) (A) (B) (B)
11		PIN; ANCHOR,RR WHEEL BRK 1-47131-039-0  1-47131-039-0		1312-1402 1403-	04 04	A AB		L=121.5 L=121.5
15		PIN; GUIDE,ADJ CAM,RR WHEEL BRK 1-47116-002-0		1312-1402	04	A		

## 3-05

## REAR WHEEL BRAKE

KEY	R / C	PART NAME PART NUMBER	I T C	APPLIED DATE	Qty	APPLIED MODEL	RESTRICTION/REMARKS
							A FVR WIDE CAB(FGR5MV) B GVR WIDE CAB(GGR5MV)
15		1-47116-002-0		1403-	04	AB	
25		COVER SET; RR BRK DRUM					
		1-47151-461-1		1312-1402	02	A	
		1-47151-461-1		1403-	02	AB	
27		COVER; CHECK HOLE, DRUM COVER					
		1-09333-151-0		1312-1402	04	A	
		1-09333-151-0		1403-	04	AB	
30		BOLT; DRUM COVER					
		1-47159-187-0		1312-1402	12	A	
		1-47159-187-0		1403-	12	AB	M10X12
							M10X12
47		BRACKET; ANCHOR PIN, RR WHEEL BRK					
		1-47137-151-0		1312-1402	02	A	
		1-47137-151-0		1403-	02	AB	
51		CAM ASM; SHOE ADJ, RR WHEEL BRK					
		1-47165-058-1		1312-1402	02	A	(A)
		1-47165-058-1		1403-	02	AB	(A)
		1-47165-059-1		1312-1402	02	A	(B)
		1-47165-059-1		1403-	02	AB	(B)
52		BOLT; ANCHOR BRKT					
		1-09040-066-0		1312-1402	02	A	M14X50
		1-09040-066-0		1403-	02	AB	M14X50
53		BOLT; LOCK PLATE					
		0-20851-016-0		1312-1402	02	A	M10X16
		0-20851-016-0		1403-	02	AB	M10X16
54		WASHER; LK, ANCHOR PIN, RR BRK					
		1-47133-011-0		1312-1402	02	A	
		1-47133-011-0		1403-	02	AB	
55		PLATE; LK, RR WHEEL CYL					
		1-47133-005-0		1312-1402	02	A	
		1-47133-005-0		1403-	02	AB	
56		WASHER; ADJ CAM, RR WHEEL BRK					
		1-47169-033-0		1312-1402	04	A	
		1-47169-033-0		1403-	04	AB	
57		SPRING; ADJ CAM, RR WHEEL BRK					
		1-47169-046-0		1312-1402	04	A	
		1-47169-046-0		1403-	04	AB	
58		BOOT; ADJ CAM, RR WHEEL BRK					
		1-47169-034-0		1312-1402	04	A	

## 3-05

## REAR WHEEL BRAKE

KEY	R / C	PART NAME PART NUMBER	I T C	APPLIED DATE	Qty	APPLIED MODEL	RESTRICTION/REMARKS	
							A FVR WIDE CAB(FGR5MV)	B GVR WIDE CAB(GGR5MV)
58		1-47169-034-0		1403-	04	AB		
59		WASHER; LK,RR WHEEL CYL 0-91510-514-0		1312-1402	04	A	ID=14.2	
		0-91510-514-0		1403-	04	AB	ID=14.2	
60		COVER; ADJ CAM BOOT,RR WHEEL BRK 1-47169-031-0		1312-1402	04	A		
		1-47169-031-0		1403-	04	AB		
61		INDICATOR; WEAR,RR BRK SHOE 1-47169-032-1		1312-1402	04	A		
		1-47169-032-1		1403-	04	AB		
62		PIN; ADJ CAM SPINDLE,RR WHEEL BRK 1-47169-030-0		1312-1402	04	A		
		1-47169-030-0		1403-	04	AB		
94	B	CYLINDER; WHEEL,RR BRK 1-47601-125-0		1312-1402	02	A		
		1-47601-125-0		1403-	02	AB		
95	A	CUP SET; RR WHEEL CYL 1-87830-720-0		1312-1402	02	A		
		1-87830-720-0		1403-	02	AB		
96		SCREW; BLEEDER,RR BRK 1-47615-002-0		1312-1402	02	A		
		1-47615-002-0		1403-	02	AB		
97		CAP; BLEEDER,RR WHEEL CYL 1-47619-011-0		1312-1402	02	A	OD=12	
		1-47619-011-0		1403-	02	AB	OD=12	
98		SPRING; RR WHEEL CYL 1-09580-019-0		1312-1402	02	A		
		1-09580-019-0		1403-	02	AB		
99		PISTON; RR WHEEL CYL 1-47624-391-0		1312-1402	04	A		
		1-47624-391-0		1403-	04	AB		
100		ROD; PUSH,RR WHEEL CYL 1-47621-009-0		1312-1402	04	A		
		1-47621-009-0		1403-	04	AB		
111		COVER; WHEEL CYL 1-47159-081-0		1312-1402	02	A		
		1-47159-081-0		1403-	02	AB		
112		BOLT; WHEEL CYL SETTING 0-20851-435-0		1312-1402	04	A	(A) M14X35	
		0-20851-435-0		1403-	04	AB	(A) M14X35	



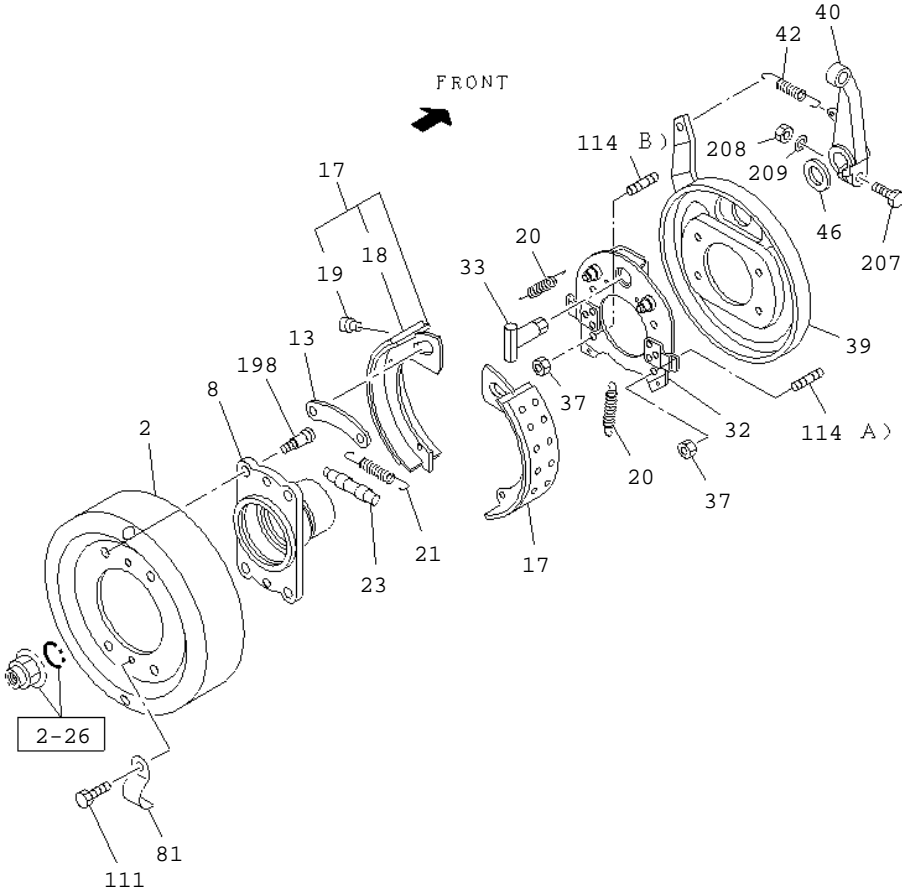
3-05

## REAR WHEEL BRAKE

KEY	R / C	PART NAME PART NUMBER	I T C	APPLIED DATE	Qty	APPLIED MODEL	RESTRICTION/REMARKS
							A FVR WIDE CAB(FGR5MV) B GVR WIDE CAB(GGR5MV)
112		0-50540-816-0		1312-1402	06	A	(B) M8X16 W/LK WASHER
		0-50540-816-0		1403-	06	AB	(B) M8X16 W/LK WASHER
149		PIN; GUIDE RETURN		1312-1402	04	A	
		1-47119-024-0		1403-	04	AB	

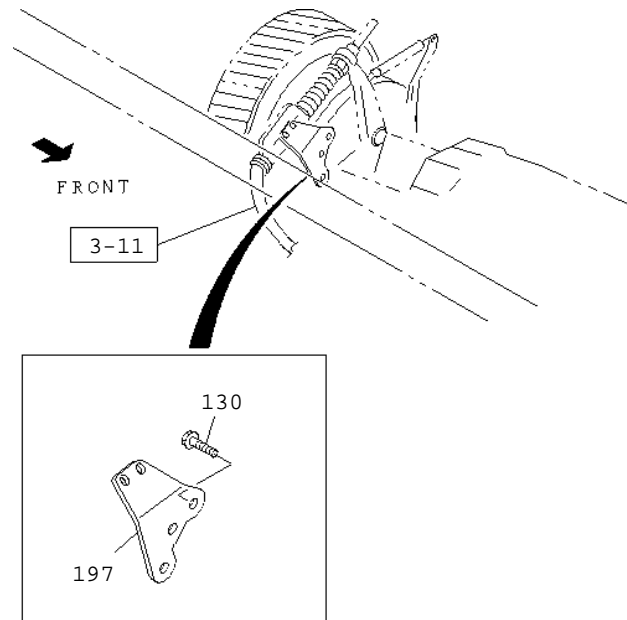
11566 FVR/GVR (INDONESIA) 2014-

3-08A PARKING BRAKE -A ISUZU M/T  
DRUM AND SHOE



3-08A PARKING BRAKE -A ISUZU M/T  
BRACKET

---



**3-08A      PARKING BRAKE -A ISUZU M/T**

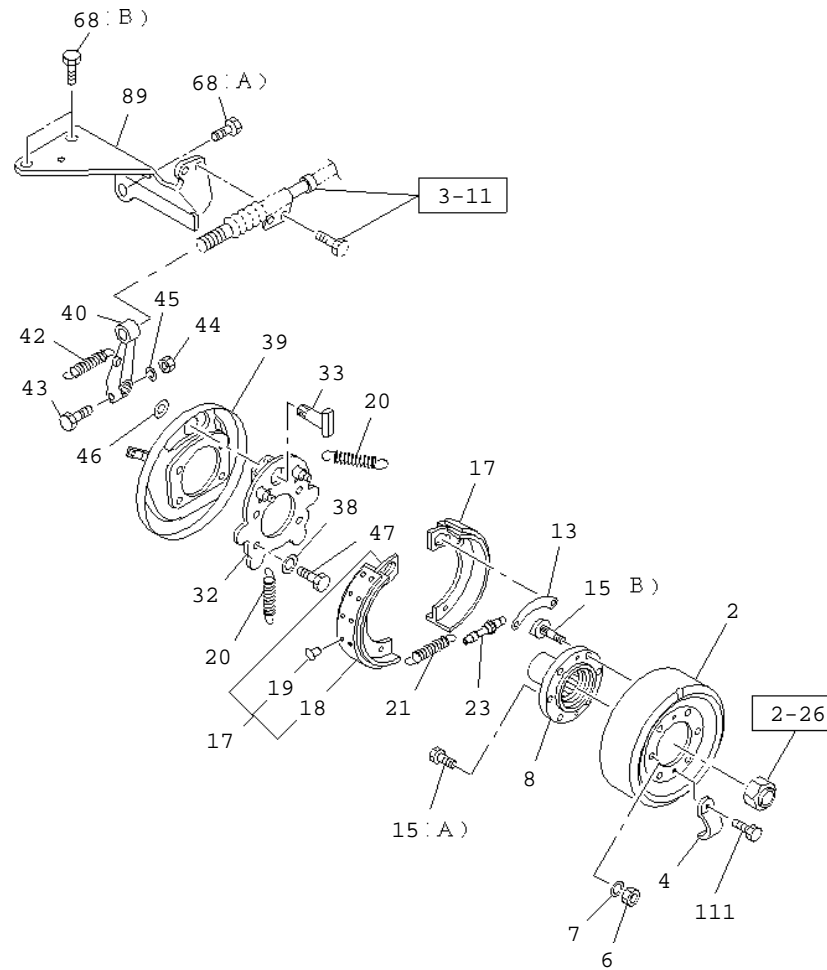
KEY	R / C	PART NAME PART NUMBER	I T C	APPLIED DATE	Qty	APPLIED MODEL	RESTRICTION/REMARKS
							A MZW6P M/T(RSZ)
2		DRUM; PARKING BRK 1-46211-019-0		1312-	01	A	
8		FLANGE; PARKING BRK 8-98153-193-0		1312-	01	A	
13		BRACE; PARKING BRK 9-46239-002-0 9-46239-002-0 9-46239-002-0		1312-1402 1403-1405 1406-	01 01 01	A A A	
17	B	SHOE; PARKING BRK 1-46220-022-1 1-46220-022-1 1-46220-022-1		1312-1402 1403-1405 1406-	02 02 02	A A A	
18		LINING; BRK,PARKING 1-46225-023-0 1-46225-023-0 1-46225-023-0		1312-1402 1403-1405 1406-	02 02 02	A A A	
19		RIVET; LINING,PARKING BRK 1-09732-058-0 1-09732-058-0 1-09732-058-0		1312-1402 1403-1405 1406-	32 32 32	A A A	
20		SPRING; RETURN,SECONDARY,PARKING BRK 9-09942-434-0 9-09942-434-0 9-09942-434-0		1312-1402 1403-1405 1406-	02 02 02	A A A	
21		SPRING; RETURN,PARKING BRK SHOE 9-09942-516-0 9-09942-516-0 9-09942-516-0		1312-1402 1403-1405 1406-	01 01 01	A A A	
23		SCREW; ADJ,PARKING BRK SHOE 1-46240-003-0 1-46240-003-0 1-46240-003-0		1312-1402 1403-1405 1406-	01 01 01	A A A	
32		PLATE; SUPPORT,PARKING BRK 1-46213-039-0		1312-	01	A	
33		SHAFT; CAM,PARKING BRK 1-46251-010-0 1-46251-010-0 1-46251-010-0		1312-1402 1403-1405 1406-	01 01 01	A A A	
37		NUT; SUPPORT PLATE 8-97365-444-0		1312-	04	A	
39		COVER; DUST,PARKING BRK 1-46213-038-0		1312-	01	A	
40		LEVER; CM/SHF,PARKING BRK 1-46252-046-0 1-46252-046-0 1-46252-046-0		1312-1402 1403-1405 1406-	01 01 01	A A A	
42		SPRING; RETURN,LEVER 1-09583-104-0		1312-1402	01	A	

**3-08A      PARKING BRAKE -A ISUZU M/T**

KEY	R / C	PART NAME PART NUMBER	I T C	APPLIED DATE	Qty	APPLIED MODEL	RESTRICTION/REMARKS
							A MZW6P M/T(RSZ)
42		1-09583-104-0		1403-1405	01	A	
		1-09583-104-0		1406-	01	A	
46		WASHER; LEVER					
		9-09855-362-0		1312-1402	01	A	
		9-09855-362-0		1403-1405	01	A	
		9-09855-362-0		1406-	01	A	
81		COVER; CHECK HOLE,PARKING BRK					
		1-46219-030-0		1312-	02	A	
111		BOLT; COVER,CHECK HOLE					
		0-50740-820-0		1312-1402	02	A	
		0-50740-820-0		1403-	02	A	M8X20 W/LK WASHER
114		STUD; SUPPORT PLATE					M8X20 W/LK WASHER
		8-98014-137-0		1312-	03	A	
		8-98014-138-0		1312-	01	A	(B) M14X22 WO/DRY-ROCK
130		BOLT; BRKT					(A) M14X22 W/DRY-ROCK
		0-28751-025-0		1312-	03	A	
197		BRACKET; CENTER BRAKE CABLE					M10X25 FLANGE
		8-98009-002-1		1312-	01	A	
198		BOLT; KNURL					
		8-98023-172-0		1312-	04	A	M16X55
207		BOLT; LEVER					
		8-98061-595-0		1312-	01	A	
208		NUT; LEVER					
		0-91111-510-0		1312-	01	A	M10
209		WASHER; SP,LEVER					
		0-91510-510-0		1312-	01	A	ID=10.2
2-26		Move to 2-26					
		Move to 2-26					
		Move to 2-26					
3-11		Move to 3-11					

3-08B PARKING BRAKE -B FULLER M/T

FULLER M/T



**3-08B      PARKING BRAKE -B FULLER M/T**

KEY	R / C	PART NAME PART NUMBER	I T C	APPLIED DATE	Qty	APPLIED MODEL	RESTRICTION/REMARKS
							A FULLER ES11109 DD M/T(Y5N)
2		DRUM; PARKING BRK 1-46211-026-1		1403-1405	01	A	A FULLER ES11109 DD M/T(Y5N)
		1-46211-026-1		1406-	01	A	
4		COVER; ADJ HOLE 8-98031-861-0		1403-1405	02	A	
		8-98031-861-0		1406-	02	A	
6		NUT; FLANGE 0-91110-516-0		1403-1405	02	A	
		0-91110-516-0		1406-	02	A	
7		WASHER; LK,FLANGE 0-91510-516-0		1403-1405	02	A	
		0-91510-516-0		1406-	02	A	
8		FLANGE; PARKING BRK 1-37243-311-0		1403-	01	A	
13		BRACE; PARKING BRK 9-46239-002-0		1403-1405	01	A	
		9-46239-002-0		1406-	01	A	
15		BOLT; FLANGE 1-46219-010-0		1403-	02	A	
		8-98023-172-0		1403-1405	04	A	
		8-98023-172-0		1406-	04	A	
17	B	SHOE; PARKING BRK 1-46220-022-1		1403-1405	02	A	
		1-46220-022-1		1406-	02	A	
18		LINING; BRK,PARKING 1-46225-023-0		1403-1405	02	A	
		1-46225-023-0		1406-	02	A	
19		RIVET; LINING,PARKING BRK 1-09732-058-0		1403-1405	32	A	
		1-09732-058-0		1406-	32	A	
20		SPRING; RETURN,SECONDARY,PARKING BRK 9-09942-434-0		1403-1405	02	A	
		9-09942-434-0		1406-	02	A	
21		SPRING; RETURN,PARKING BRK SHOE 9-09942-516-0		1403-1405	01	A	
		9-09942-516-0		1406-	01	A	
23		SCREW; ADJ,PARKING BRK SHOE 1-46240-003-0		1403-1405	01	A	
		1-46240-003-0		1406-	01	A	

3-08B

## PARKING BRAKE -B FULLER M/T

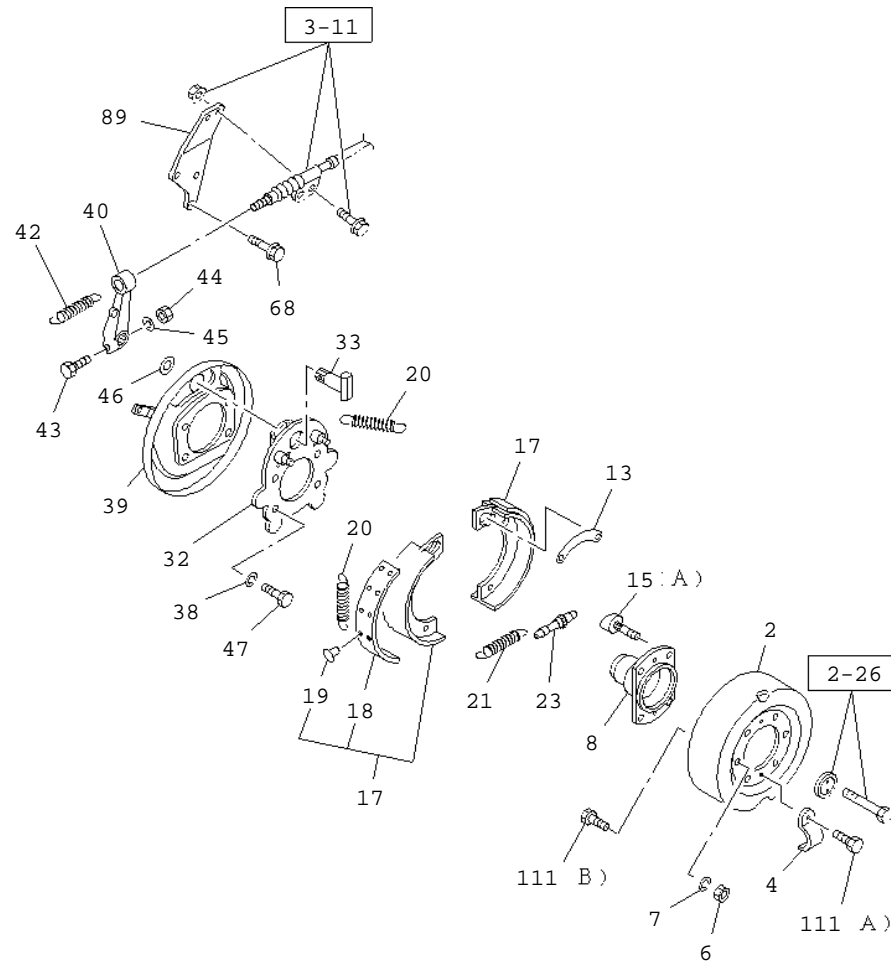
KEY	R / C	PART NAME PART NUMBER	I T C	APPLIED DATE	Qty	APPLIED MODEL	RESTRICTION/REMARKS
							A FULLER ES11109 DD M/T(Y5N)
32		PLATE; SUPPORT,PARKING BRK 1-46213-096-0 1-46213-096-0		1403-1405 1406-	01 01	A A	
33		SHAFT; CAM,PARKING BRK 1-46251-010-0 1-46251-010-0		1403-1405 1406-	01 01	A A	
38		WASHER; LK,SUPPORT PLATE 0-91510-516-0  0-91510-516-0		1403-1405  1406-	04  04	A  A	ID=16.2  ID=16.2
39		COVER; DUST,PARKING BRK 1-46213-093-0 1-46213-093-0		1403-1405 1406-	01 01	A A	
40		LEVER; CM/SHF,PARKING BRK 1-46252-046-0 1-46252-046-0		1403-1405 1406-	01 01	A A	
42		SPRING; RETURN,LEVER 1-09583-104-0 1-09583-104-0		1403-1405 1406-	01 01	A A	
43		BOLT; LEVER TO CM/SHF 8-98061-595-0 8-98061-595-0		1403-1405 1406-	01 01	A A	
44		NUT; LEVER TO CM/SHF 0-91111-510-0  0-91111-510-0		1403-1405  1406-	01  01	A  A	M10  M10
45		WASHER; LK,LEVER TO CM/SHF 0-91510-510-0  0-91510-510-0		1403-1405  1406-	01  01	A  A	ID=10.2  ID=10.2
46		WASHER; LEVER 9-09855-362-0 9-09855-362-0		1403-1405 1406-	01 01	A A	
47		BOLT; SUPPORT PLATE 0-23851-640-0		1403-	04	A	
68		BOLT; BRKT,PARKING BRK CONT 0-28751-225-0  0-28951-425-0		1403-  1403-	01  02	A  A	(A) M12X25 FLANGE  (B) M14X25 FLANGE
89		BRACKET; PARKING BRK CONT 1-46147-273-2		1403-	01	A	
111		BOLT; COVER,CHECK HOLE					



3-08B

PARKING BRAKE -B FULLER M/T

KEY	R / C	PART NAME PART NUMBER	I T C	APPLIED DATE	Qty	APPLIED MODEL	RESTRICTION/REMARKS
111		0-50740-820-0		1403-	02	A	A FULLER ES11109 DD M/T(Y5N)
2-26		Move to 2-26					M8X20 W/LK WASHER
		Move to 2-26					
3-11		Move to 2-26					
		Move to 3-11					



## 3-08C

## PARKING BRAKE -C ZF M/T

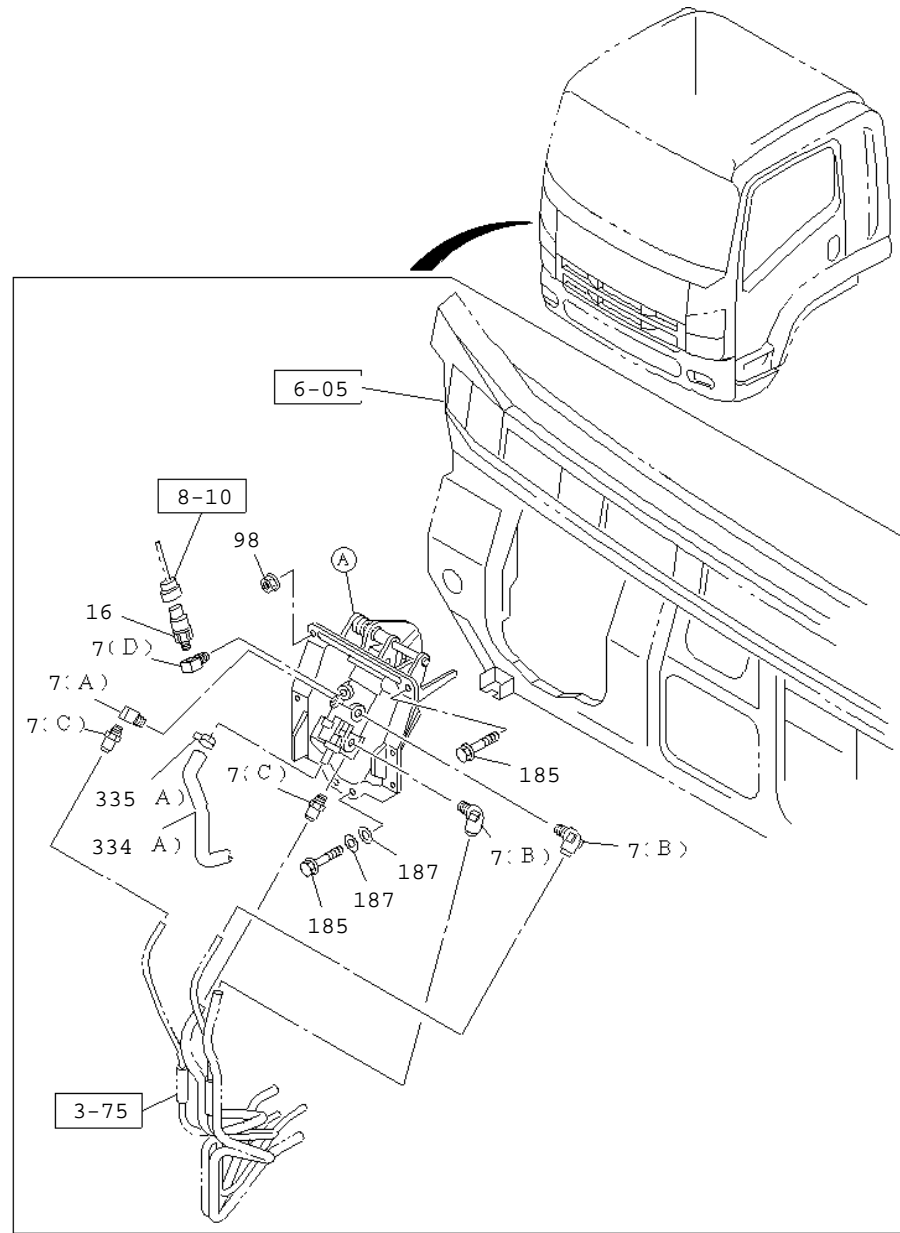
KEY	R / C	PART NAME PART NUMBER	I T C	APPLIED DATE	Qty	APPLIED MODEL	RESTRICTION/REMARKS	
							A ZF9S1110 DD M/T(Y5P)	
2		DRUM; PARKING BRK 1-46211-026-1		1406-	01	A	M16  ID=16.2	
4		COVER; ADJ HOLE 8-98031-861-0		1406-	02	A		
6		NUT; FLANGE 0-91110-516-0		1406-	02	A		
7		WASHER; LK,FLANGE 0-91510-516-0		1406-	02	A		
8		FLANGE; PARKING BRK 8-98184-079-0		1406-	01	A		
13		BRACE; PARKING BRK 9-46239-002-0		1406-	01	A		
15		BOLT; FLANGE 8-98023-172-0		1406-	04	A		
17	B	SHOE; PARKING BRK 1-46220-022-1		1406-	02	A		(A) M16X55
18		LINING; BRK,PARKING 1-46225-023-0		1406-	02	A		
19		RIVET; LINING,PARKING BRK 1-09732-058-0		1406-	32	A		
20		SPRING; RETURN,SECONDARY,PARKING BRK 9-09942-434-0		1406-	02	A		
21		SPRING; RETURN,PARKING BRK SHOE 9-09942-516-0		1406-	01	A		
23		SCREW; ADJ,PARKING BRK SHOE 1-46240-003-0		1406-	01	A		
32		PLATE; SUPPORT,PARKING BRK 1-46213-096-0		1406-	01	A		
33		SHAFT; CAM,PARKING BRK 1-46251-010-0		1406-	01	A		
38		WASHER; LK,SUPPORT PLATE 0-91510-516-0		1406-	04	A	ID=16.2	
39		COVER; DUST,PARKING BRK 1-46213-093-0		1406-	01	A		
40		LEVER; CM/SHF,PARKING BRK 1-46252-046-0		1406-	01	A		
42		SPRING; RETURN,LEVER 1-09583-104-0		1406-	01	A		
43		BOLT; LEVER TO CM/SHF 8-98061-595-0		1406-	01	A		
44		NUT; LEVER TO CM/SHF 0-91111-510-0		1406-	01	A	M10	
45		WASHER; LK,LEVER TO CM/SHF						

**3-08C      PARKING BRAKE -C ZF M/T**

KEY	R / C	PART NAME PART NUMBER	I T C	APPLIED DATE	Qty	APPLIED MODEL	RESTRICTION/REMARKS
							A ZF9S1110 DD M/T(Y5P)
45		0-91510-510-0		1406-	01	A	ID=10.2
46		WASHER; LEVER 9-09855-362-0		1406-	01	A	
47		BOLT; SUPPORT PLATE 0-20851-640-0		1406-	04	A	
68		BOLT; BRKT,PARKING BRK CONT 0-28151-025-0		1406-	03	A	
89		BRACKET; PARKING BRK CONT 1-46147-305-0		1406-	01	A	
111		BOLT; COVER,CHECK HOLE 0-20801-630-0		1406-	02	A	
		0-50540-820-0		1406-	02	A	
2-26		Move to 2-26					
		Move to 2-26					
3-11		Move to 3-11					
							(B) M16X30
							(A) M8X20 W/LK WASHER

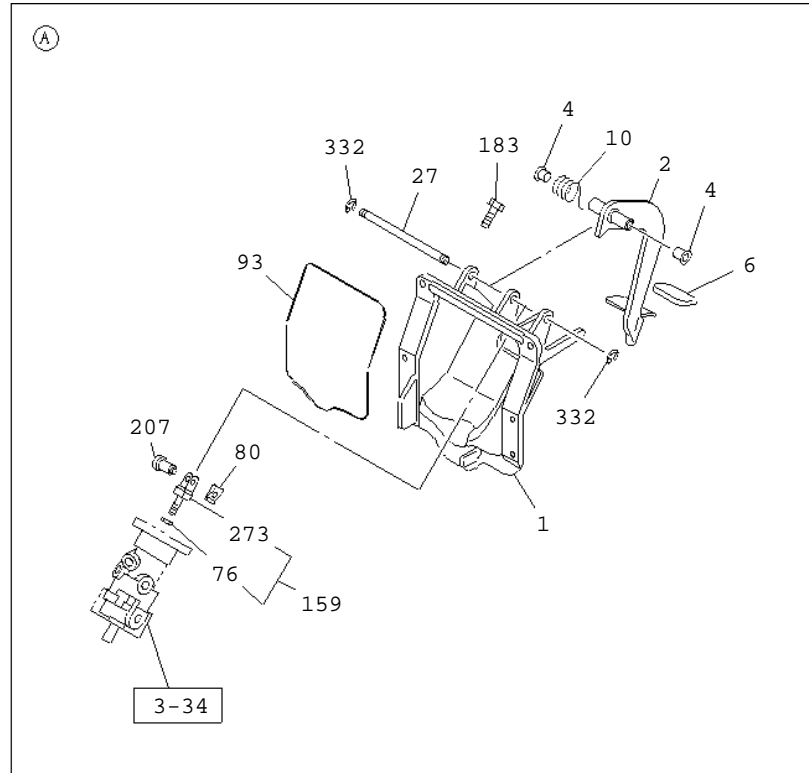
3-10  
FIXING

BRAKE PEDAL AND CONTROL



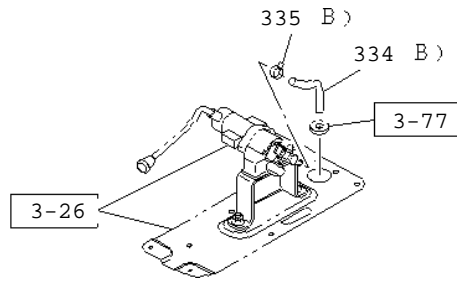
3-10  
COMPONENT

BRAKE PEDAL AND CONTROL



**3-10 BRAKE PEDAL AND CONTROL**  
HAND BRAKE VALVE SIDE

---



## 3-10

## BRAKE PEDAL AND CONTROL

KEY	R / C	PART NAME PART NUMBER	I T C	APPLIED DATE	Qty	APPLIED MODEL	RESTRICTION/REMARKS
							A FVR WIDE CAB(FGR5MV) B GVR WIDE CAB(GGR5MV)
1		BRACKET ASM; PEDAL 8-98071-972-1		1312-1402	01	A	
		8-98071-972-1		1403-	01	AB	
2		PEDAL; BRK 8-98057-226-0		1312-1402	01	A	
		8-98057-226-0		1403-	01	AB	
4		BUSHING; BRK PEDAL 8-94238-596-0		1312-1402	02	A	
		8-94238-596-0		1403-	02	AB	
6		COVER; BRK PEDAL 8-98056-865-0		1312-1402	01	A	
		8-98056-865-0		1403-	01	AB	
7		CONNECTOR; BRK VALVE 1-09660-693-0		1312-1402	01	A	
		1-09660-693-0		1403-	01	AB	(D) PT1/4 2WAY
		1-09660-696-0		1312-1402	01	A	(D) PT1/4 2WAY
		1-09660-696-0		1403-	01	AB	(A) PT3/8 ELBOW
		1-09660-959-0		1312-1402	02	A	(A) PT3/8 ELBOW
		1-09660-959-0		1403-	02	AB	(B) DIN12 & R3/8 ELBOW
		1-09660-965-0		1312-1402	02	A	(B) DIN12 & R3/8 ELBOW
		1-09660-965-0		1403-	02	AB	(C) DIN12 & R3/8 STRAIGHT
10		SPRING; RETURN, BRK PEDAL 8-98057-232-1		1312-1402	01	A	
		8-98057-232-1		1403-	01	AB	
16		SWITCH; STOP LAMP 8-98010-857-0		1312-1402	01	A	
		8-98010-857-0		1403-	01	AB	
27		SHAFT; BRK PEDAL 8-98057-231-0		1312-1402	01	A	
		8-98057-231-0		1403-	01	AB	
76		NUT; PUSH ROD					



## 3-10

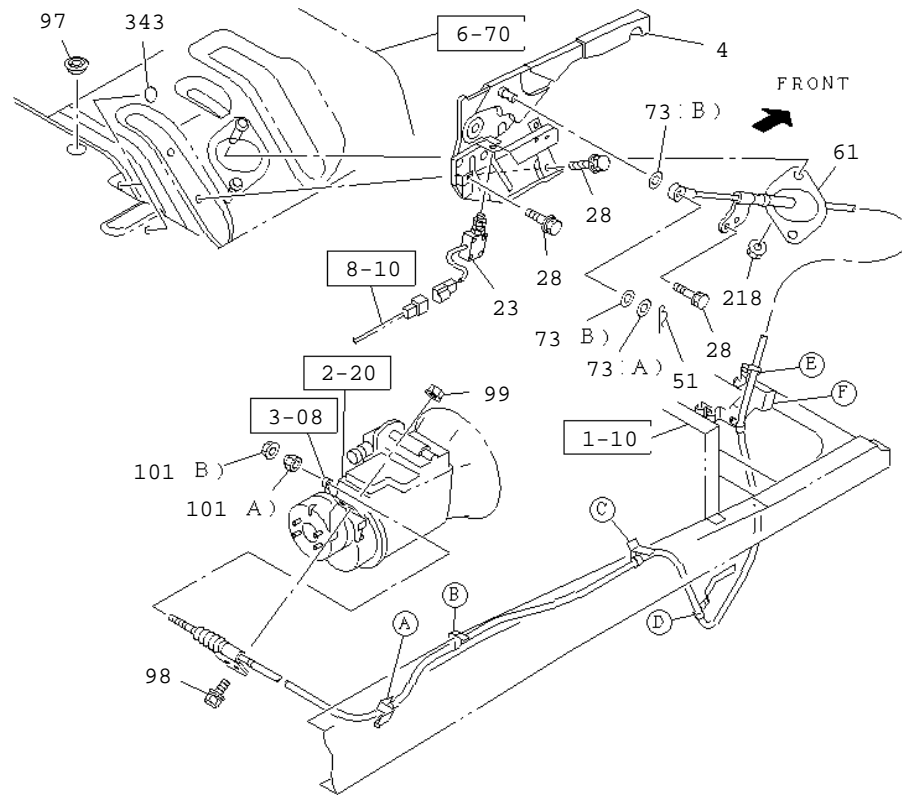
## BRAKE PEDAL AND CONTROL

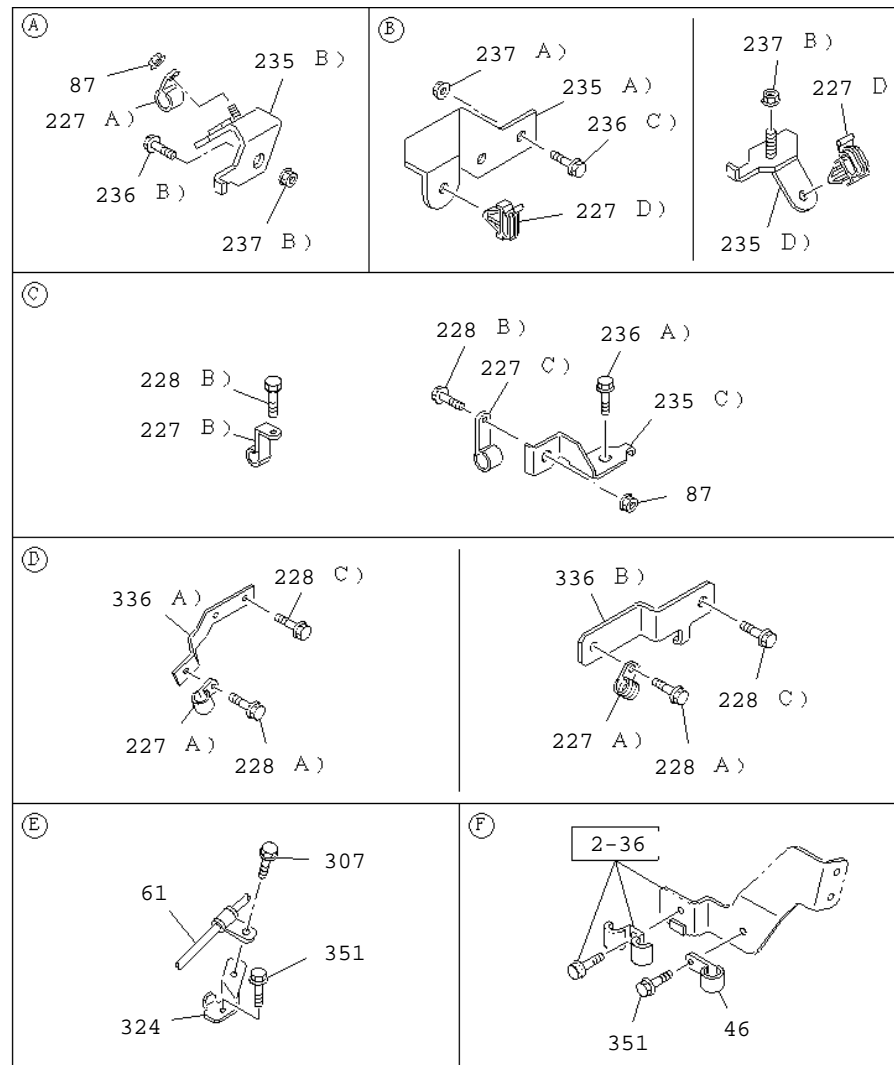
KEY	R / C	PART NAME PART NUMBER	I T C	APPLIED DATE	Qty	APPLIED MODEL	RESTRICTION/REMARKS
							A FVR WIDE CAB(FGR5MV) B GVR WIDE CAB(GGR5MV)
76		0-91180-108-0		1312-1402	01	A	
		0-91180-108-0		1403-	01	AB	M8 FLANGE
80		PIN; SNAP, BRK PEDAL 8-98007-161-0		1312-1402	01	A	
		8-98007-161-0		1403-	01	AB	M8 FLANGE
93		SEAL; BRK PEDAL 1-48199-534-0		1312-1402	01	A	
		1-48199-534-0		1403-	01	AB	
98		NUT; BRKT 0-91180-208-0		1312-1402	01	A	
		0-91180-208-0		1403-	01	AB	M8 FLANGE IDN
159		ROD ASM; PUSH, BRK 8-98057-234-0		1312-1402	01	A	
		8-98057-234-0		1403-	01	AB	M8 FLANGE IDN
183		BOLT; BRK VLV 0-28660-830-0		1312-1402	04	A	
		0-28660-830-0		1403-	04	AB	M8X30 FLANGE
185		BOLT; BRKT 8-98057-109-0		1312-1402	07	A	
		8-98057-109-0		1403-	07	AB	M8X25 FLANGE
187		WASHER; PL, BRKT 0-91614-808-0		1312-1402	04	A	
		0-91614-808-0		1403-	04	AB	M8X25 FLANGE ID=8.4 OD=26 IDN
207		PIN; JOINT, BRK PEDAL LINK 8-98147-657-0		1312-1402	01	A	
		8-98147-657-0		1403-	01	AB	ID=8.4 OD=26 IDN
273		ROD; PULL 8-98057-233-0		1312-1402	01	A	
		8-98057-233-0		1403-	01	AB	
332		RING; SNAP 0-91805-512-0		1312-1402	02	A	
		0-91805-512-0		1403-	02	AB	ID=12 ID=12

## 3-10

## BRAKE PEDAL AND CONTROL

KEY	R / C	PART NAME PART NUMBER	I T C	APPLIED DATE	Qty	APPLIED MODEL	RESTRICTION/REMARKS
							A FVR WIDE CAB(FGR5MV) B GVR WIDE CAB(GGR5MV)
334		HOSE; AIR, BRK 8-98251-374-0		1403-	01	B	(B)
		8-97611-145-3		1312-1402	01	A	(A) IDN
		8-97611-145-3		1403-	01	AB	(A) IDN
335		CLAMP; HOSE 8-94238-572-0		1403-	01	B	(B) ID=14
		8-98025-921-0		1312-1402	01	A	(A) ID=24
		8-98025-921-0		1403-	01	AB	(A) ID=24
3-75		Move to 3-75					
6-05		Move to 6-05					
8-10		Move to 8-10					
3-34		Move to 3-34					
3-26		Move to 3-26					
3-77		Move to 3-77					





## 3-11

## PARKING BRAKE CONTROL

KEY	R / C	PART NAME PART NUMBER	I T C	APPLIED DATE	Qty	APPLIED MODEL	RESTRICTION/REMARKS
							A FVR WIDE CAB(FGR5MV) B GVR WIDE CAB(GGR5MV)
4		STEM; PARKING BRK 8-98173-353-0		1403-	01	B	
		1-79996-549-0		1312-	01	A	
23		SWITCH; PARKING BRK 1-82440-100-0		1312-1402	01	A	
		1-82440-100-0		1403-	01	AB	
28		BOLT; HAND BRK LEVER 8-98059-720-0		1312-1402	04	A	
		8-98059-720-0		1403-	04	AB	M8X24.5 W/LK&PL WASHER
							M8X24.5 W/LK&PL WASHER
46		CLIP; FRT CABLE TO FLOOR 0-95235-535-0		1312-1401	01	A	
		0-95235-235-0		1402-1402	01	A	ID=16 L=20
		0-95235-235-0		1403-	01	AB	ID=13 L=20
							ID=13 L=20
51		PIN; JOINT,RELAY LEVER 1-09987-243-1		1312-1402	01	A	
		1-09987-243-1		1403-	01	AB	
61		CABLE; PARKING BRK 8-98257-639-0		1406-	01	A	ZF9S1110 DD M/T(Y5P) L=5046
		8-98257-638-0		1403-	01	B	L=4946
		8-98106-061-5		1312-1401	01	A	L=4615
		8-98257-637-0		1402-	01	A	MZW6P M/T(RSZ) L=4615
73		WASHER; PL,CABLE 0-91610-516-0		1312-1402	01	A	(A) ID=17 OD=30
		0-91610-516-0		1403-	01	AB	(A) ID=17 OD=30
		8-94206-429-1		1312-1402	02	A	(B) ID=19
		8-94206-429-1		1403-	02	AB	(B) ID=19
87		NUT 0-91180-108-0		1312-1402	02	A	M8 FLANGE
		0-91180-108-0		1403-	02	AB	M8 FLANGE

## 3-11

## PARKING BRAKE CONTROL

KEY	R / C	PART NAME PART NUMBER	I T C	APPLIED DATE	Qty	APPLIED MODEL	RESTRICTION/REMARKS
							A FVR WIDE CAB(FGR5MV) B GVR WIDE CAB(GGR5MV)
97		GROMMET; PARKING BRK CABLE 8-94122-971-0		1312-	01	A	OD=35 IDN
98		BOLT; RR COVER 0-28651-030-0		1312-1402	02	A	M10X30 FLANGE
		0-28651-030-0		1403-	02	AB	M10X30 FLANGE
99		NUT; CONT CABLE 0-91180-210-0		1312-1402	02	A	M10 FLANGE
		0-91180-210-0		1403-	02	AB	M10 FLANGE
101		NUT; CABLE TO LEVER 0-91180-108-0		1312-1402	01	A	(B) M8 FLANGE
		0-91180-108-0		1403-	01	AB	(B) M8 FLANGE
		1-46259-007-0		1312-1402	01	A	(A)
		1-46259-007-0		1403-	01	AB	(A)
218		NUT; BRKT, PARKING BRK CABLE 0-91180-108-0		1312-1402	02	A	M8 FLANGE
		0-91180-108-0		1403-	02	AB	M8 FLANGE
227		CLIP; RAD 0-95235-235-0		1312-1402	02	A	(A) ID=13 L=20
		0-95235-235-0		1403-	02	AB	(A) ID=13 L=20
		1-09700-875-0		1312-1402	01	A	(B) ID=25 H=30 L=35
		1-09700-875-0		1403-	01	AB	(B) ID=25 H=30 L=35
		1-09701-014-0		1312-1402	01	A	(C) ID=14.5 L=40

## 3-11

## PARKING BRAKE CONTROL

KEY	R / C	PART NAME PART NUMBER	I T C	APPLIED DATE	Qty	APPLIED MODEL	RESTRICTION/REMARKS
							A FVR WIDE CAB(FGR5MV) B GVR WIDE CAB(GGR5MV)
227		1-09701-014-0		1403-	01	AB	(C) ID=14.5 L=40
		5-09709-020-0		1312-1402	02	A	(D) ID=9.5
		5-09709-020-0		1403-	02	AB	(D) ID=9.5
228		BOLT; CLIP RAD MTG 1-09980-498-0		1403-1405	01	B	(C) M8X16 W/LK&PL WASHER ZF9S1110 DD M/T(Y5P)
		1-09980-498-0		1406-	01	A	(C) M8X16 W/LK&PL WASHER
		1-09980-498-0		1406-	01	B	(C) M8X16 W/LK&PL WASHER
		0-28050-816-0		1312-1402	01	A	(A) M8X16 FLANGE
		0-28050-816-0		1403-	01	AB	(A) M8X16 FLANGE
		0-28650-825-0		1312-1402	02	A	(B) M8X25 FLANGE IDN
		0-28650-825-0		1403-	02	AB	(B) M8X25 FLANGE IDN
		1-09980-498-0		1312-	02	A	(C) M8X16 W/LK&PL WASHER
235		BRACKET; CONT CABLE TO FRAME 8-98111-492-0		1403-1405	01	B	(B) ZF9S1110 DD M/T(Y5P)
		8-98111-492-0		1406-	01	A	(B)
		8-98111-492-0		1406-	01	B	(B)
		8-98126-934-0		1403-1405	01	B	(D) ZF9S1110 DD M/T(Y5P)
		8-98126-934-0		1406-	01	A	(D)

## 3-11

## PARKING BRAKE CONTROL

KEY	R / C	PART NAME PART NUMBER	I T C	APPLIED DATE	Qty	APPLIED MODEL	RESTRICTION/REMARKS
							A FVR WIDE CAB(FGR5MV) B GVR WIDE CAB(GGR5MV)
235		8-98126-934-0		1406-	01	B	
		8-98077-903-2		1312-	01	A	(D)
		8-98100-152-0		1312-1402	01	A	MZW6P M/T(RSZ) (B)
		8-98100-152-0		1403-	01	AB	(A)
		8-98126-426-0		1312-1402	01	A	(A)
		8-98126-426-0		1403-	01	AB	(C)
236		BOLT; BRKT TO FRAME 0-28650-825-0		1312-1402	01	A	(C)
		0-28650-825-0		1403-	01	AB	(A) M8X25 FLANGE IDN
		0-28650-830-0		1312-1402	02	A	(A) M8X25 FLANGE IDN
		0-28650-830-0		1403-	02	AB	(C) M8X30 FLANGE
		0-28651-035-0		1312-1402	01	A	(C) M8X30 FLANGE
		0-28651-035-0		1403-	01	AB	(B) M10X35 FLANGE IDN
237		NUT; BRKT TO FRAME 0-91180-210-0		1403-1405	02	B	(B) M10 FLANGE
		0-91180-210-0		1406-	02	A	ZF9S1110 DD M/T(Y5P) (B) M10 FLANGE
		0-91180-210-0		1406-	02	B	(B) M10 FLANGE
		0-91180-108-0		1312-1402	02	A	(A) M8 FLANGE

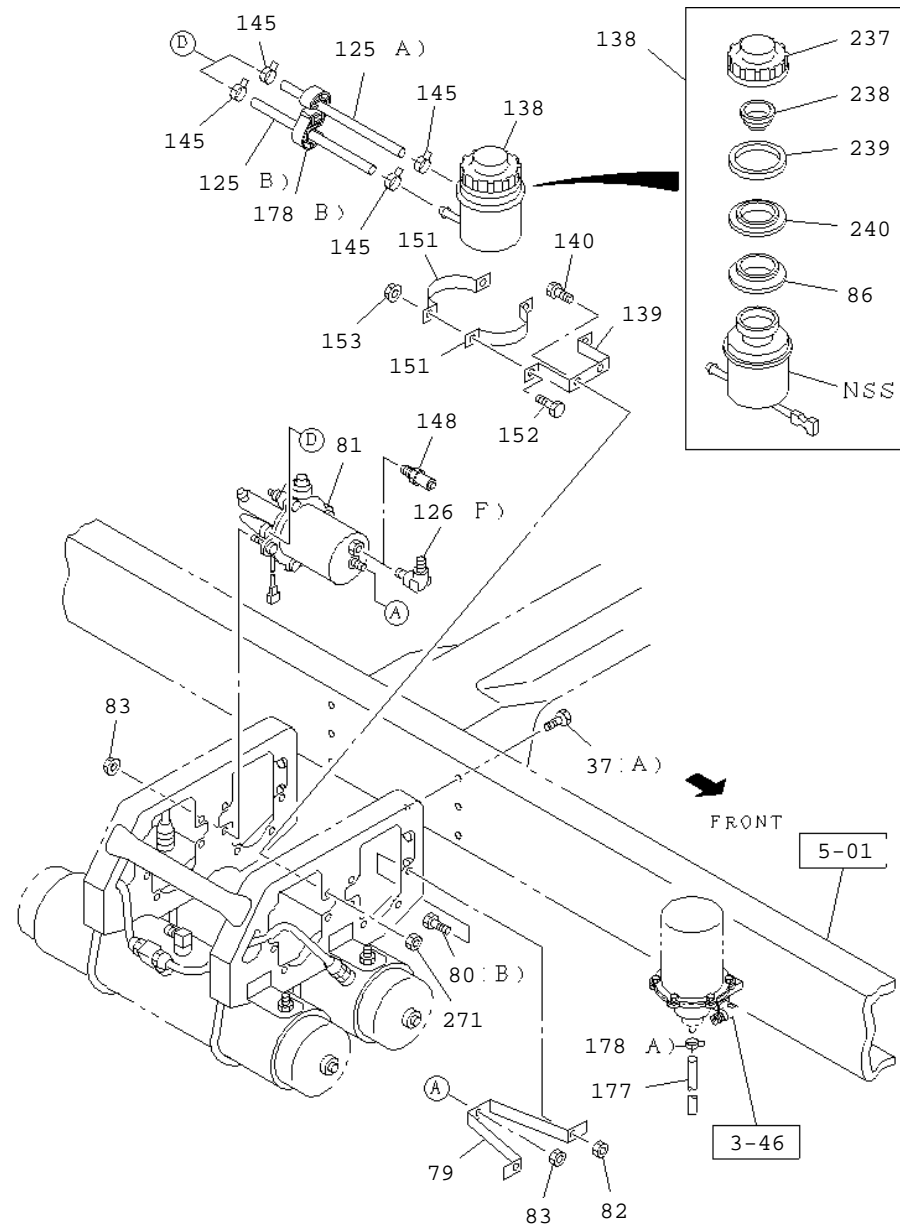


## 3-11

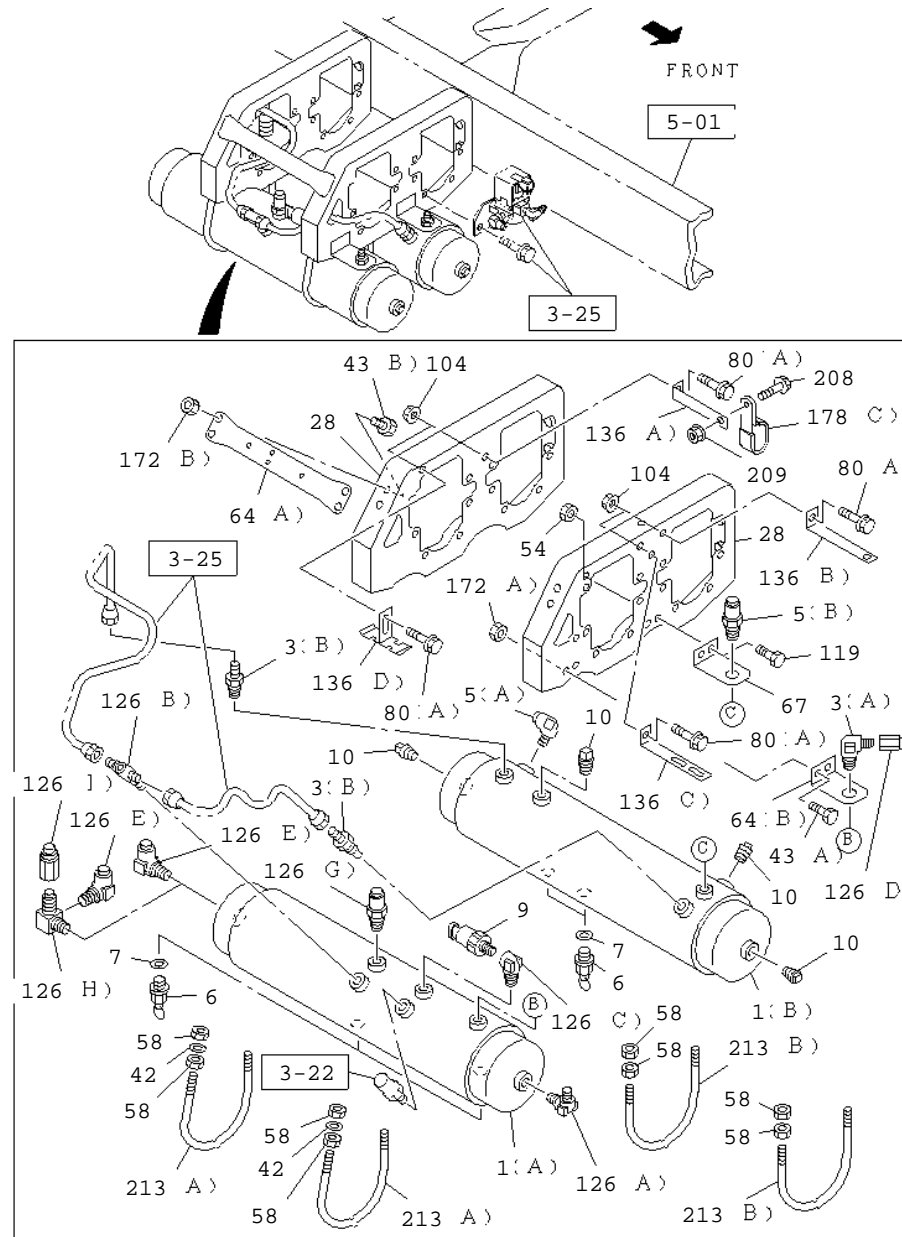
## PARKING BRAKE CONTROL

KEY	R / C	PART NAME PART NUMBER	I T C	APPLIED DATE	Qty	APPLIED MODEL	RESTRICTION/REMARKS
							A FVR WIDE CAB(FGR5MV) B GVR WIDE CAB(GGR5MV)
237		0-91180-108-0		1403-	02	AB	
		0-91180-210-0		1312-	01	A	(A) M8 FLANGE MZW6P M/T(RSZ)
307		BOLT; BRKT,PARKING BRK CABLE 0-51640-825-0		1312-1402	01	A	(B) M10 FLANGE
		0-51640-825-0		1403-	01	AB	M8X25 W/WASHER
324		BRACKET 8-98067-482-1		1312-1402	01	A	M8X25 W/WASHER
		8-98067-482-1		1403-	01	AB	
336		BRACKET; RADIATOR 8-98182-153-1		1403-1405	01	B	
		8-98182-153-1		1406-	01	A	(B) IDN ZF9S1110 DD M/T(Y5P)
		8-98182-153-1		1406-	01	B	(B) IDN
		8-98044-680-0		1312-	01	A	(A) MZW6P M/T(RSZ)
343		SEAL 1-76798-019-0		1403-	02	B	OD=25 BLACK
		1-76798-019-0		1312-	04	A	OD=25 BLACK
351		BOLT; CLIP 0-51640-825-0		1312-1402	03	A	M8X25 W/WASHER
		0-51640-825-0		1403-	03	AB	M8X25 W/WASHER
1-10		Move to 1-10					
2-20		Move to 2-20					
		Move to 2-20					
		Move to 2-20					
3-08		Move to 3-08					
		Move to 3-08					
		Move to 3-08					
6-70		Move to 6-70					
8-10		Move to 8-10					
2-36		Move to 2-36					

**3-20 AIR TANK**  
**FRAME RH SIDE NO.1**

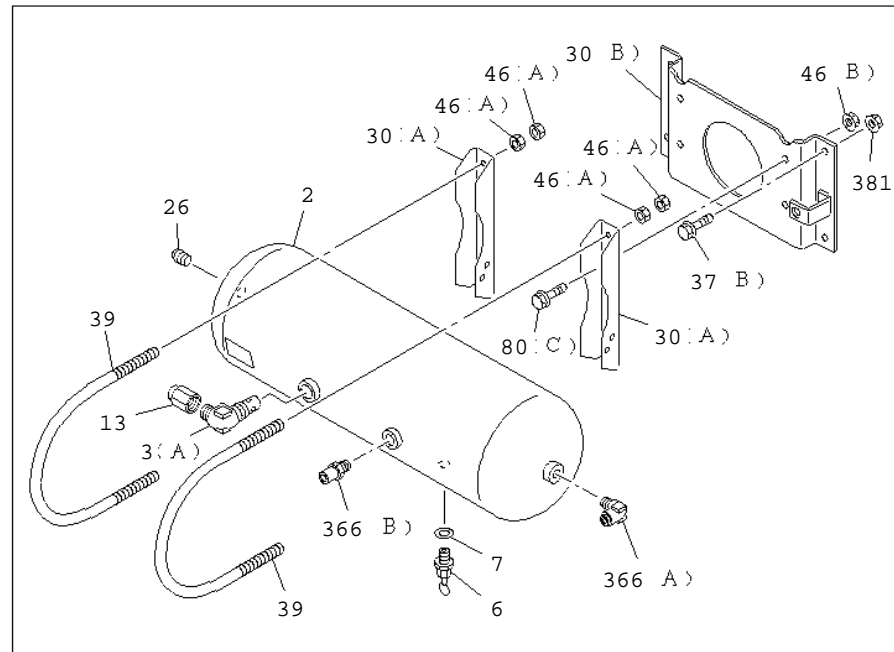
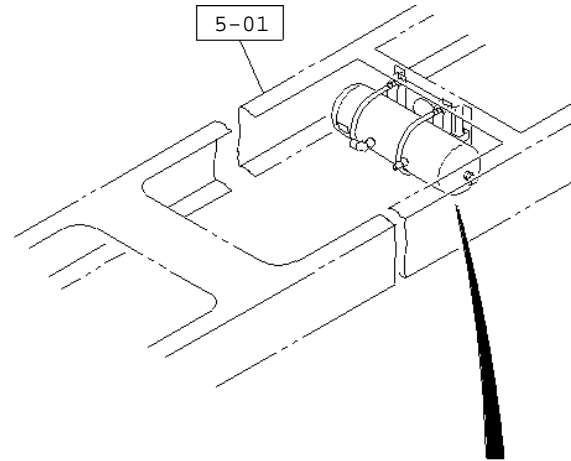


3-20 AIR TANK  
FRAME RH SIDE NO.2



3-20 AIR TANK

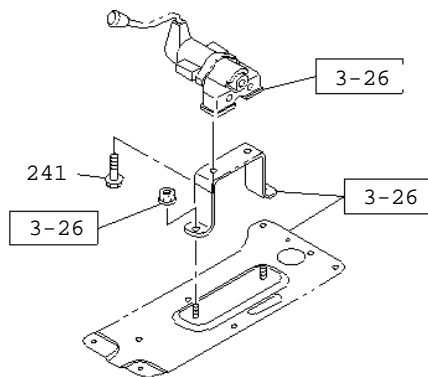
REAR SIDE;GVR



**3-20 AIR TANK**

CAB SIDE;GVR

---



3-20

## AIR TANK

KEY	R / C	PART NAME PART NUMBER	I T C	APPLIED DATE	Qty	APPLIED MODEL	RESTRICTION/REMARKS	
							A FVR WIDE CAB(FGR5MV)	B GVR WIDE CAB(GGR5MV)
1		TANK ASM; AIR 1-48330-598-0		1312-1402	01	A		
		1-48330-598-0		1403-	01	AB	(A)	
		1-48370-541-0		1312-1402	01	A	(A)	
		1-48370-541-0		1403-	01	AB	(B)	
2		TANK; AIR 1-48370-464-0		1403-	01	B	(B)	
3		VALVE; CHECK,AIR TANK 1-48410-134-3		1403-	02	B	(A)	
		1-48410-134-3		1312-	01	A	M22 & PT3/4 ELBOW	
		1-48410-182-3		1312-1402	02	A	(A)	
		1-48410-182-3		1403-	02	AB	(B)	
5		UNION; AIR TANK 1-09660-959-0		1312-1402	01	A	(B)	
		1-09660-959-0		1403-	01	AB	(A)	DIN12 & R3/8 ELBOW
		1-09660-965-0		1312-1402	01	A	(A)	DIN12 & R3/8 ELBOW
		1-09660-965-0		1403-	01	AB	(B)	DIN12 & R3/8 STRAIGHT
6		COCK; DRAIN,AIR TANK 1-48312-015-0		1403-	05	B	(B)	DIN12 & R3/8 STRAIGHT
		1-48312-015-0		1312-	04	A		
7		GASKET; DRAIN COCK 1-09630-145-0		1403-	05	B		ID=14
		1-09630-145-0		1312-	04	A		ID=14
9		SWITCH; LOW PRESSURE GAGE,AIR TANK 8-97609-249-0		1312-1402	01	A		
		8-97609-249-0		1403-	01	AB		
10		PLUG; AIR TANK						

3-20

## AIR TANK

KEY	R / C	PART NAME PART NUMBER	I T C	APPLIED DATE	Qty	APPLIED MODEL	RESTRICTION/REMARKS
							A FVR WIDE CAB(FGR5MV) B GVR WIDE CAB(GGR5MV)
10		9-99204-513-0		1312-1402	04	A	
		9-99204-513-0		1403-	04	AB	PT1/4
13		ADAPTER; NYLON TUBE 1-09660-878-0		1403-	01	B	PT1/4
26		PLUG; SUB AIR TANK 9-09204-517-0		1403-	01	B	DIN12 & M12 STRAIGHT
28		BRACKET; AIR TANK 1-53318-338-6 8-97913-537-3		1403- 1312-	02 02	B A	PT3/8
30		BRACKET; AIR TANK, SUB 1-48317-430-0		1403-	02	B	IDN
		8-98250-267-0		1403-	01	B	(A)
37		BOLT; AIR TANK 0-28651-025-0		1403-	04	B	(B)
		0-28651-240-0		1312-1402	06	A	M10X25 FLANGE IDN
		0-28651-240-0		1403-	06	AB	(A) M12X40 FLANGE
39		U-BOLT; AIR TANK 1-48317-308-0		1403-	02	B	(A) M12X40 FLANGE
42		WASHER; PL 0-91610-608-0		1312-1402	04	A	L=250
		0-91610-608-0		1403-	04	AB	ID=8.4 OD=18
43		BOLT; STAY, AIR TANK, MAIN 0-28650-820-0		1312-1402	02	A	ID=8.4 OD=18
		0-28650-820-0		1403-	02	AB	(A) M8X20 FLANGE IDN
							(A) M8X20 FLANGE IDN

3-20

## AIR TANK

KEY	R / C	PART NAME PART NUMBER	I T C	APPLIED DATE	Qty	APPLIED MODEL	RESTRICTION/REMARKS
							A FVR WIDE CAB(FGR5MV) B GVR WIDE CAB(GGR5MV)
43		0-28651-025-0		1312-1402	04	A	(B) M10X25 FLANGE IDN
		0-28651-025-0		1403-	04	AB	(B) M10X25 FLANGE IDN
46		NUT; U-BOLT 0-91110-508-0		1403-	08	B	(A) M8 IDN
		0-91180-210-0		1403-	04	B	(B) M10 FLANGE
54		NUT; STAY 0-91180-108-0		1312-1402	02	A	M8 FLANGE
		0-91180-108-0		1403-	02	AB	M8 FLANGE
58		NUT; BAND,AIR TANK 0-91110-508-0		1312-1402	16	A	M8 IDN
		0-91110-508-0		1403-	16	AB	M8 IDN
64		STAY; AIR TANK,MAIN 1-53318-293-1		1312-1402	01	A	(A)
		1-53318-293-1		1403-	01	AB	(A)
		8-94301-490-0		1312-1402	01	A	(B)
		8-94301-490-0		1403-	01	AB	(B)
67		STAY; SUB TANK 1-48317-349-0		1312-1402	01	A	
		1-48317-349-0		1403-	01	AB	
79		STAY; AIR MASTER TO BRKT 8-98120-254-0		1312-1402	02	A	
		8-98120-254-0		1403-	02	AB	
80		BOLT; BRKT 0-28651-025-0		1403-	04	B	(C) M10X25 FLANGE IDN



3-20

## AIR TANK

KEY	R / C	PART NAME PART NUMBER	I T C	APPLIED DATE	Qty	APPLIED MODEL	RESTRICTION/REMARKS
							A FVR WIDE CAB(FGR5MV) B GVR WIDE CAB(GGR5MV)
80		0-28650-820-0		1312-1402	05	A	(A) M8X20 FLANGE IDN
		0-28650-820-0		1403-	05	AB	(A) M8X20 FLANGE IDN
		0-28651-030-0		1312-1402	04	A	(B) M10X30 FLANGE
		0-28651-030-0		1403-	04	AB	(B) M10X30 FLANGE
81	D	AIR MASTER ASM; BRK 1-47800-663-1 1-47800-663-1		1312-1402 1403-	02 02	A AB	SEE FIG-NO 3-33 FOR COMPONENT.
82		NUT; STAY,AIR MASTER BRKT 0-91180-210-0		1312-1402	04	A	M10 FLANGE
		0-91180-210-0		1403-	04	AB	M10 FLANGE
83		NUT; AIR MASTER 0-91180-210-0		1312-1402	10	A	M10 FLANGE
		0-91180-210-0		1403-	10	AB	M10 FLANGE
86		SEAL; DUST 1-47529-019-0 1-47529-019-0		1312-1402 1403-	01 01	A AB	
104		NUT; BRKT 0-91180-108-0		1312-1402	05	A	M8 FLANGE
		0-91180-108-0		1403-	05	AB	M8 FLANGE
119		BOLT; STAY 0-28650-820-0		1312-1402	02	A	M8X20 FLANGE IDN
		0-28650-820-0		1403-	02	AB	M8X20 FLANGE IDN
125		HOSE; OIL TANK TO AIR MASTER 8-98197-596-0		1403-	01	B	(B)

3-20

## AIR TANK

KEY	R / C	PART NAME PART NUMBER	I T C	APPLIED DATE	Qty	APPLIED MODEL	RESTRICTION/REMARKS
							A FVR WIDE CAB(FGR5MV) B GVR WIDE CAB(GGR5MV)
125		1-09360-320-0		1312-1402	01	A	(A) L=270 SERVICED BY L=1800
		1-09360-320-0		1403-	01	AB	(A) L=270 SERVICED BY L=1800
		8-98098-558-0		1312-	01	A	(B) IDN
126		CONNECTOR; ELBOW 1-09656-669-0		1403-	01	B	(H) M16 & PT1/4X2 3WAY
		1-09660-876-0		1403-	01	B	(I) DIN12 & M16 STRAIGHT
		1-09650-430-0		1312-1402	01	A	(A) M12 & PT1/4 ELBOW
		1-09650-430-0		1403-	01	AB	(A) M12 & PT1/4 ELBOW
		1-09656-340-1		1312-1402	01	A	(B) M20X2 & PT3/8 3WAY
		1-09656-340-1		1403-	01	AB	(B) M20X2 & PT3/8 3WAY
		1-09660-693-0		1312-1402	01	A	(C) PT1/4 2WAY
		1-09660-693-0		1403-	01	AB	(C) PT1/4 2WAY
		1-09660-878-0		1312-1402	01	A	(D) DIN12 & M12 STRAIGHT
		1-09660-878-0		1403-	01	AB	(D) DIN12 & M12 STRAIGHT
		1-09660-956-0		1312-1402	01	A	(E) DIN8 & R1/4 ELBOW
		1-09660-956-0		1403-	01	AB	(E) DIN8 & R1/4 ELBOW

3-20

## AIR TANK

KEY	R / C	PART NAME PART NUMBER	I T C	APPLIED DATE	Qty	APPLIED MODEL	RESTRICTION/REMARKS
							A FVR WIDE CAB(FGR5MV) B GVR WIDE CAB(GGR5MV)
126		1-09660-959-0		1312-1402	01	A	(F) DIN12 & R3/8 ELBOW
		1-09660-959-0		1403-	01	AB	(F) DIN12 & R3/8 ELBOW
		1-09660-963-0		1312-1402	01	A	(G) DIN8 R1/4 STRAIGHT
		1-09660-963-0		1403-	01	AB	(G) DIN8 R1/4 STRAIGHT
136		BRACKET; CLIP 1-47475-694-1		1312-1402	01	A	(A) L=112
		1-47475-694-1		1403-	01	AB	(A) L=112
		1-47476-712-0		1312-1402	01	A	(B)
		1-47476-712-0		1403-	01	AB	(B)
		1-47477-629-2		1312-1402	01	A	(C) L=150 H=30
		1-47477-629-2		1403-	01	AB	(C) L=150 H=30
		1-47479-693-0		1312-1402	02	A	(D)
		1-47479-693-0		1403-	02	AB	(D)
138		TANK ASM; OIL,AIR MASTER 1-47530-185-1		1312-1402	01	A	
		1-47530-185-1		1403-	01	AB	
139		BRACKET; OIL TANK 1-47537-081-2		1312-1402	01	A	
		1-47537-081-2		1403-	01	AB	
140		BOLT; OIL TANK TO BRKT 0-28651-025-0		1312-1402	02	A	M10X25 FLANGE IDN
		0-28651-025-0		1403-	02	AB	M10X25 FLANGE IDN
145		CLIP; OIL TANK TO AIR MASTER HOSE					

3-20

## AIR TANK

KEY	R / C	PART NAME PART NUMBER	I T C	APPLIED DATE	Qty	APPLIED MODEL	RESTRICTION/REMARKS	
							A FVR WIDE CAB(FGR5MV)	B GVR WIDE CAB(GGR5MV)
145		1-09704-102-0		1312-1402	04	A		ID=14 IDN
		1-09704-102-0		1403-	04	AB		ID=14 IDN
148		CONNECTOR; AIR MASTER 1-09660-965-0		1312-1402	01	A		DIN12 & R3/8 STRAIGHT
		1-09660-965-0		1403-	01	AB		DIN12 & R3/8 STRAIGHT
151		BAND; OIL TANK,AIR MASTER 1-47537-056-2		1312-1402	02	A		
		1-47537-056-2		1403-	02	AB		
152		BOLT; OIL TANK TO BAND 0-28650-820-0		1312-1402	02	A		M8X20 FLANGE IDN
		0-28650-820-0		1403-	02	AB		M8X20 FLANGE IDN
153		NUT; OIL TANK TO BAND 0-91110-508-0		1312-1402	02	A		M8 IDN
		0-91110-508-0		1403-	02	AB		M8 IDN
172		NUT; STAY,AIR TANK,MAIN 0-91180-108-0		1312-1402	02	A		(A) M8 FLANGE
		0-91180-108-0		1403-	02	AB		(A) M8 FLANGE
		0-91180-210-0		1312-1402	04	A		(B) M10 FLANGE
		0-91180-210-0		1403-	04	AB		(B) M10 FLANGE
177		HOSE; RUBBER,DRAIN 0-03566-300-0		1312-1402	01	A		L=60 SERVICED BY L=3000
		0-03566-300-0		1403-	01	AB		L=60 SERVICED BY L=3000

3-20

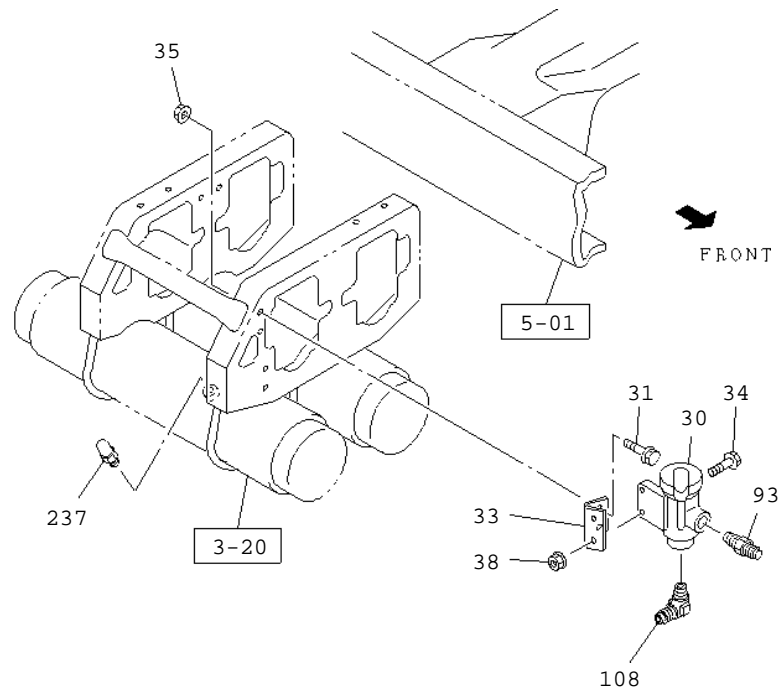
## AIR TANK

KEY	R / C	PART NAME PART NUMBER	I T C	APPLIED DATE	Qty	APPLIED MODEL	RESTRICTION/REMARKS
							A FVR WIDE CAB(FGR5MV) B GVR WIDE CAB(GGR5MV)
178		CLIP; HOSE 1-09709-280-1		1312-1402	01	A	(B) ID=12 & 12
		1-09709-280-1		1403-	01	AB	(B) ID=12 & 12
		8-94242-034-0		1312-1402	01	A	(A) ID=21
		8-94242-034-0		1403-	01	AB	(A) ID=21
		9-09917-171-0		1312-1402	01	A	(C)
		9-09917-171-0		1403-	01	AB	(C)
208		BOLT; CLIP 0-28650-820-0		1312-1402	01	A	M8X20 FLANGE IDN
		0-28650-820-0		1403-	01	AB	M8X20 FLANGE IDN
209		NUT; CLIP 0-91180-108-0		1312-1402	01	A	M8 FLANGE
		0-91180-108-0		1403-	01	AB	M8 FLANGE
213		BOLT; U AIR TANK 1-48317-323-1		1312-1402	02	A	(A) L=97.5 IDN
		1-48317-323-1		1403-	02	AB	(A) L=97.5 IDN
		1-48317-367-2		1312-1402	02	A	(B) L=195 IDN
		1-48317-367-2		1403-	02	AB	(B) L=195 IDN
237		CAP; OIL TANK 1-47525-030-0		1312-1402	01	A	

3-20

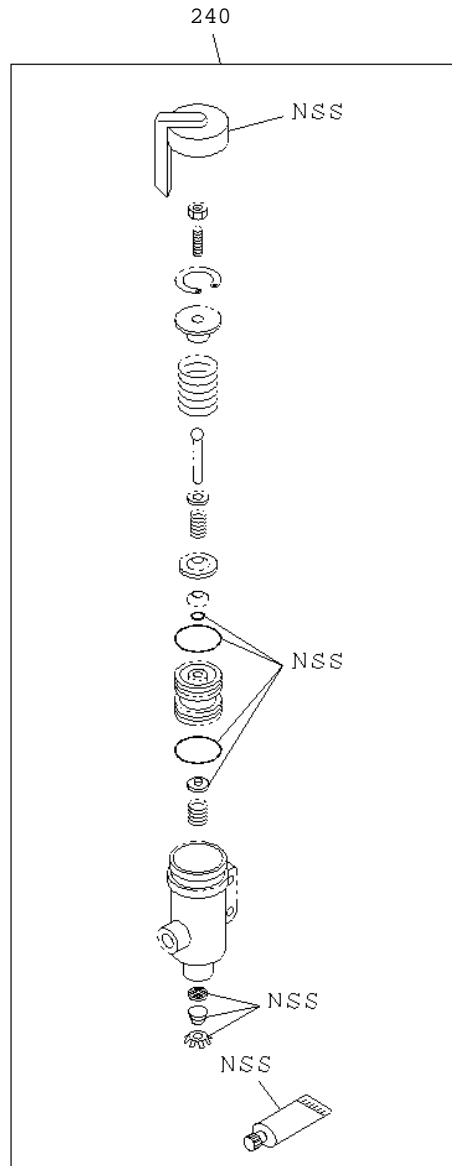
## AIR TANK

KEY	R / C	PART NAME PART NUMBER	I T C	APPLIED DATE	Qty	APPLIED MODEL	RESTRICTION/REMARKS	
							A FVR WIDE CAB(FGR5MV)	B GVR WIDE CAB(GGR5MV)
237		1-47525-030-0		1403-	01	AB		
238		PLATE; BAFFLE						
		1-47529-022-0		1312-1402	01	A		
		1-47529-022-0		1403-	01	AB		
239		FILTER; DUST						
		1-47529-017-0		1312-1402	01	A		
		1-47529-017-0		1403-	01	AB		
240		HOLDER; FILTER						
		1-47529-018-0		1312-1402	01	A		
		1-47529-018-0		1403-	01	AB		
241		BOLT; SET,CONT VLV						
		0-28051-020-0		1403-	02	B		
								M10X20 FLANGE
271		NUT; BRKT,HOSE						
		0-91180-210-0		1312-1402	02	A		
		0-91180-210-0		1403-	02	AB		M10 FLANGE
								M10 FLANGE
366		CONNECTOR; NYLON TUBE						
		1-09660-959-0		1403-	01	B		
		1-09660-965-0		1403-	01	B		(A) DIN12 & R3/8 ELBOW
								(B) DIN12 & R3/8 STRAIGHT
381		NUT; SUB TANK						
		0-91180-210-0		1403-	04	B		M10 FLANGE
3-46		Move to 3-46						
5-01		Move to 5-01						
3-22		Move to 3-22						
3-25		Move to 3-25						
3-26		Move to 3-26						



**3-22 AIR CONTROL PARTS**

REPAIR KIT;GOVERNOR

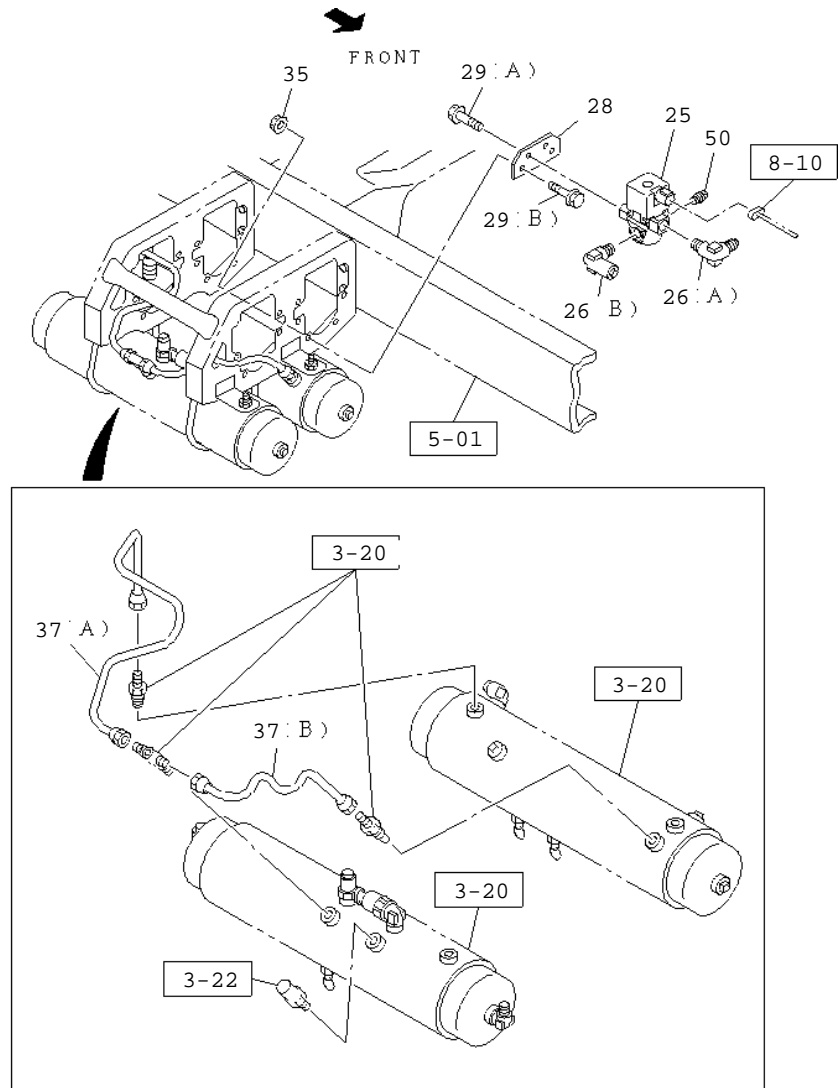




## 3-22

## AIR CONTROL PARTS

KEY	R / C	PART NAME PART NUMBER	I T C	APPLIED DATE	Qty	APPLIED MODEL	RESTRICTION/REMARKS
							A FVR WIDE CAB(FGR5MV) B GVR WIDE CAB(GGR5MV)
30		GOVERNOR; AIR CONT 1-48350-093-2		1312-1402	01	A	
		1-48350-093-2		1403-	01	AB	
31		BOLT; GOV TO FRAME 0-28650-825-0		1312-1402	02	A	
		0-28650-825-0		1403-	02	AB	M8X25 FLANGE IDN
33		BRACKET; GOV, AIR CONT 8-98120-459-1		1312-1402	01	A	
		8-98120-459-1		1403-	01	AB	M8X25 FLANGE IDN
34		BOLT; BRKT, GOV 0-28650-825-0		1312-1402	02	A	
		0-28650-825-0		1403-	02	AB	M8X25 FLANGE IDN
35		NUT; GOV TO FRAME 0-91180-108-0		1312-1402	02	A	
		0-91180-108-0		1403-	02	AB	M8 FLANGE
38		NUT; BRKT, GOV 0-91180-108-0		1312-1402	02	A	
		0-91180-108-0		1403-	02	AB	M8 FLANGE
93		CONNECTOR; GOV 1-09650-074-1		1312-1402	01	A	
		1-09650-074-1		1403-	01	AB	M12 & PT1/4 STRAIGHT
108		CONNECTOR; ELBOW 1-09650-430-0		1312-1402	01	A	
		1-09650-430-0		1403-	01	AB	M12 & PT1/4 ELBOW
237		VALVE; SAFETY 1-48320-012-2		1312-1402	01	A	
		1-48320-012-2		1403-	01	AB	M12 & PT1/4 ELBOW
240		REPAIR KIT; AIR CONT GOV 1-85576-467-0		1312-1402	01	A	
		1-85576-467-0		1403-	01	AB	
3-20		Move to 3-20					
5-01		Move to 5-01					

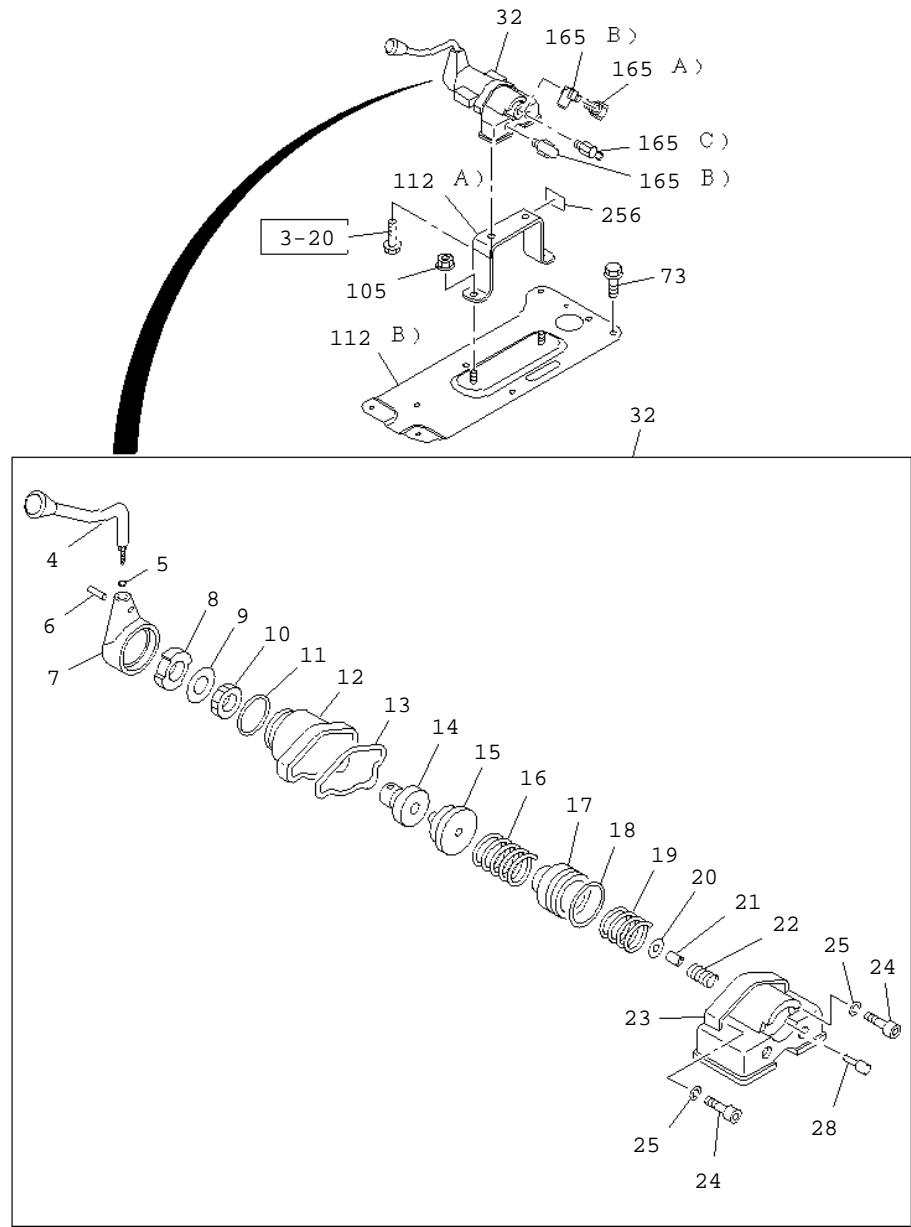


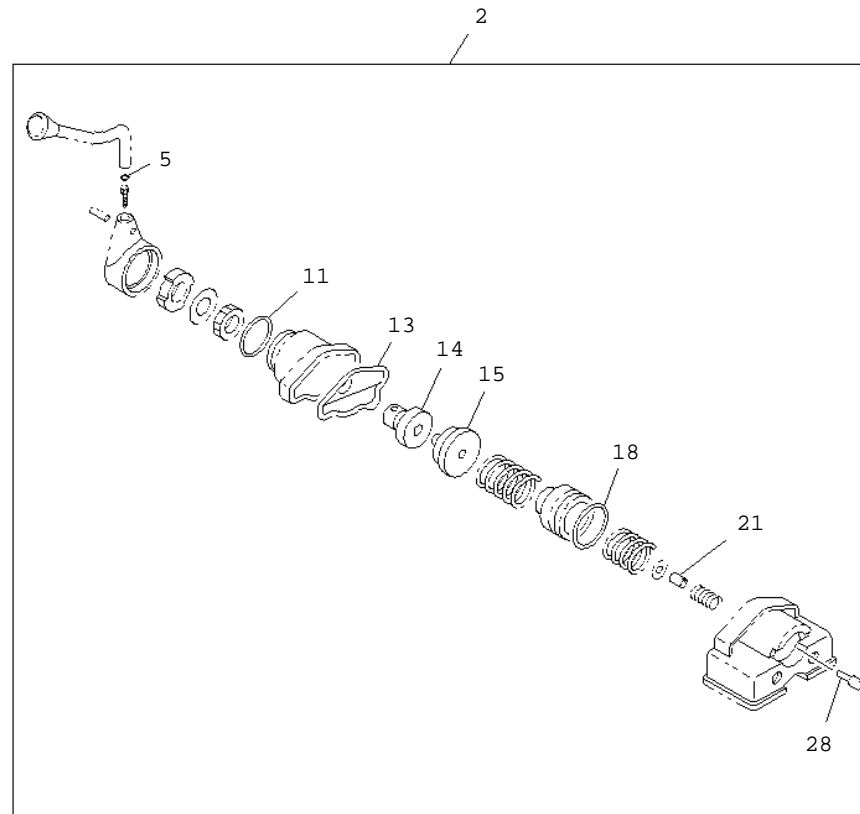
## 3-25

## BRAKE LOCK CONTROL

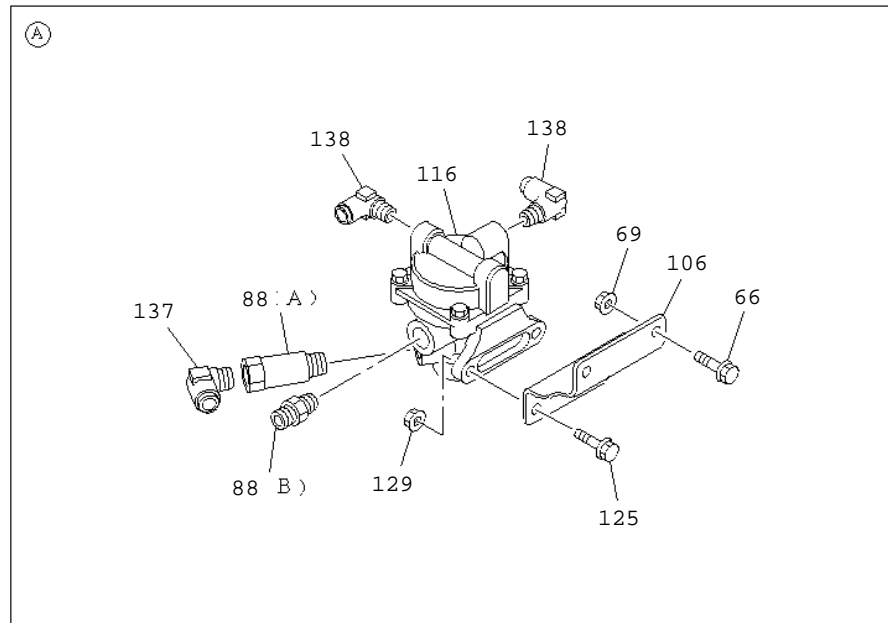
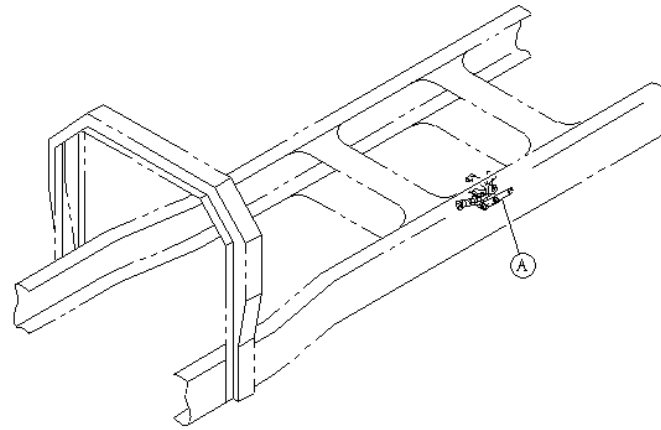
KEY	R / C	PART NAME PART NUMBER	I T C	APPLIED DATE	Qty	APPLIED MODEL	RESTRICTION/REMARKS
							A FVR WIDE CAB(FGR5MV) B GVR WIDE CAB(GGR5MV)
25		VALVE; CONT, BRK LOCK 1-82563-871-2		1403-	01	B	
26		UNION; CONT VLV 1-09650-430-0		1403-	01	B	(A) M12 & PT1/4 ELBOW
		1-09660-956-0		1403-	01	B	(B) DIN8 & R1/4 ELBOW
28		BRACKET; CONT VLV 8-98189-813-0	A	1403-1405	01	B	
		8-98273-321-0		1406-	01	B	
29		BOLT; BRKT, CONT VLV 0-28650-820-0		1403-	02	B	(A) M8X20 FLANGE IDN
		0-28651-025-0		1403-	02	B	(B) M10X25 FLANGE IDN
35		NUT; BRKT 0-91180-210-0		1403-	02	B	M10 FLANGE
37		PIPE; AIR, CHECK VLV TO DBL CHECK VLV 8-98197-586-0		1403-	01	B	(A)
		8-98178-306-0		1312-	01	A	(A)
		8-98178-585-0		1312-1402	01	A	(B) IDN
		8-98178-585-0		1403-	01	AB	(B) IDN
50		PLUG 9-99204-513-0		1403-	01	B	PT1/4
3-20		Move to 3-20					
3-22		Move to 3-22					
5-01		Move to 5-01					
8-10		Move to 8-10					

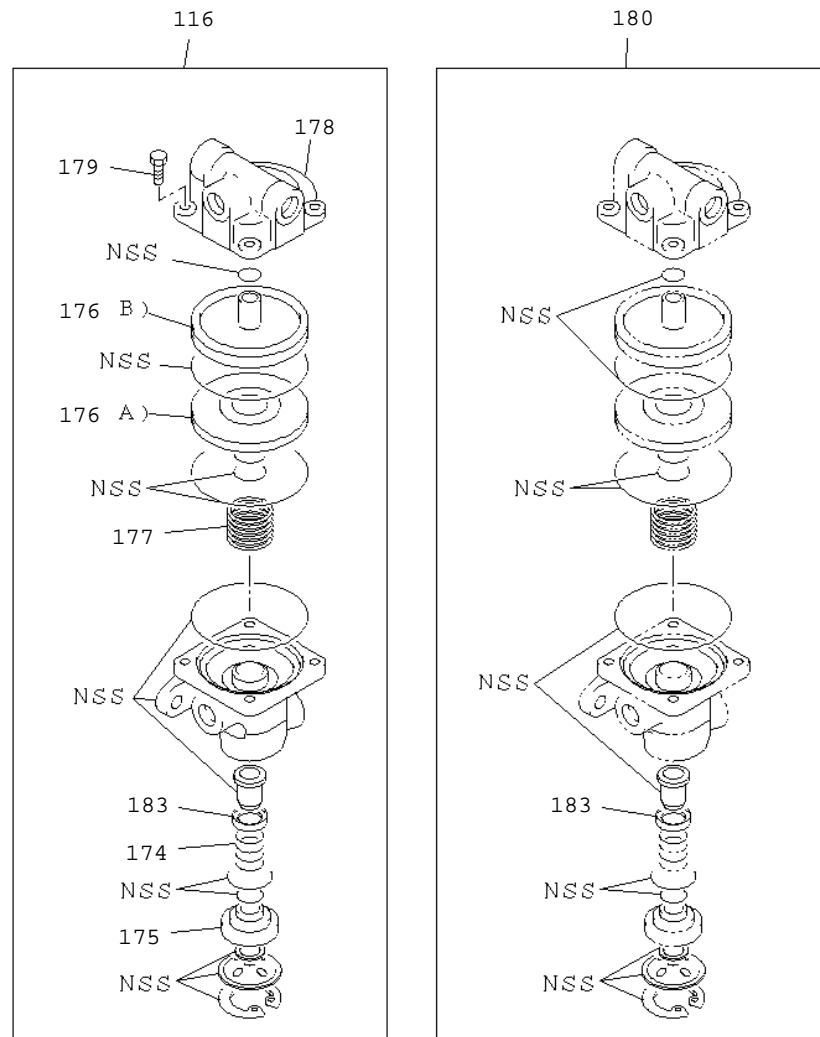
**3-26 TRAILER CONTROL**  
HAND CONTROL BRAKE VALVE





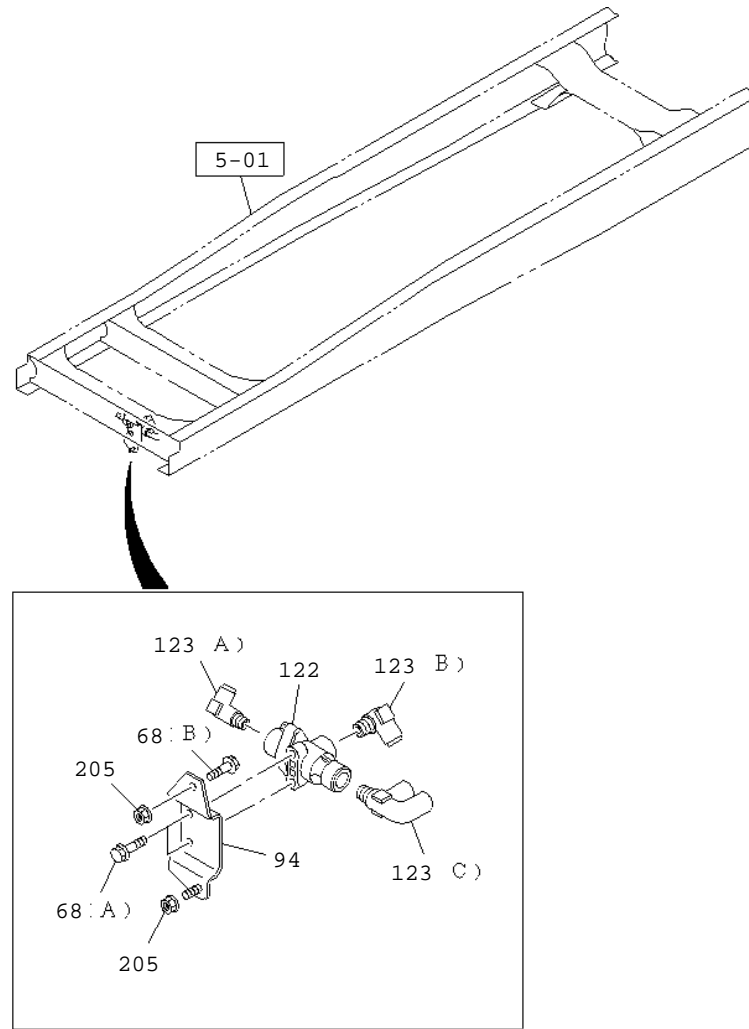
**3-26 TRAILER CONTROL**  
VALVE;TRAILER BRAKE CONTROL





3-26 TRAILER CONTROL  
VALVE;DOUBLE CHECK

---





## TRAILER CONTROL

KEY	R / C	PART NAME PART NUMBER	I T C	APPLIED DATE	Qty	APPLIED MODEL	RESTRICTION/REMARKS
							A FVR WIDE CAB (FGR5MV) B GVR WIDE CAB (GGR5MV)
2		REPAIR KIT; HAND BRK VLV 1-85576-181-0		1403-	01	B	
4		HANDLE ASM; BRK VLV 1-48119-144-0		1403-	01	B	
5		GASKET; HANDLE 1-48119-128-0		1403-	01	B	
6		PIN; SPR 1-48119-143-0		1403-	01	B	
7		HEAD; BRK VLV 1-48119-131-1		1403-	01	B	
8		STOPPER; BRK VLV 1-48119-239-0		1403-	01	B	
9		WASHER; LK,ADJ 1-48119-123-0		1403-	01	B	
10		RING; ADJ 1-48119-122-0		1403-	01	B	
11		GASKET; HD TO COVER 1-48119-130-0		1403-	01	B	
12		COVER; BRK VLV 1-48129-097-1		1403-	01	B	
13		GASKET; BODY TO COVER 1-48119-120-0		1403-	01	B	
14		FOLLOWER; CAM 1-48129-135-0		1403-	01	B	
15		CAM; FOLLOWER 1-48129-134-0		1403-	01	B	
16		SPRING; GRUDUATING 1-48129-101-0		1403-	01	B	
17		PISTON; SPR 1-48129-095-0		1403-	01	B	
18		GASKET; BODY 1-48129-096-0		1403-	01	B	
19		SPRING; PISTON 1-48129-094-0		1403-	01	B	
20		GUIDE; VLV 1-48129-090-0		1403-	01	B	
21		VALVE; IN & EXH 1-48121-017-0		1403-	01	B	
22		SPRING; VLV 1-48123-024-0		1403-	01	B	
23		BODY; BRK VLV 1-48111-060-1		1403-	01	B	
24		BOLT; EXH VLV 1-48129-092-0		1403-	02	B	
25		WASHER; LK,EXH VLV 1-48129-093-0		1403-	02	B	
28		STEM ASM; BRK VLV 1-48129-089-0		1403-	01	B	

## TRAILER CONTROL

KEY	R / C	PART NAME PART NUMBER	I T C	APPLIED DATE	Qty	APPLIED MODEL	RESTRICTION/REMARKS
							A FVR WIDE CAB (FGR5MV) B GVR WIDE CAB (GGR5MV)
32		VALVE; BRK, HAND CONT 1-48100-651-0		1403-	01	B	
66		BOLT; VLV BRKT 0-28651-035-0		1403-	02	B	M10X35 FLANGE IDN
68		BOLT; DOUBLE CHECK VLV 0-28050-812-0		1403-	02	B	(A) M8X12 FLANGE
		0-28650-825-0		1403-	01	B	(B) M8X25 FLANGE IDN
69		NUT; VLV BRKT 0-91180-210-0		1403-	02	B	M10 FLANGE
73		BOLT; BRKT 0-52000-616-0		1403-	05	B	M6X16
88		CONNECTOR; ELBOW 1-09660-966-0		1403-	01	B	(B) DIN12 & R1/2 STRAIGHT
		8-97622-084-0		1403-	01	B	(A)
94		BRACKET; CHECK VLV 8-98177-521-1		1403-	01	B	
105		NUT; BRKT 0-91180-108-0		1403-	02	B	M8 FLANGE
106		BRACKET; VLV 8-98126-366-0		1403-	01	B	
112		BRACKET; CONT VLV 1-73908-268-0		1403-	01	B	(A)
		8-98251-373-0		1403-	01	B	(B)
116		VALVE; DUAL RELAY 1-48210-157-1		1403-	01	B	
122		VALVE ASM; DOUBLE CHECK 1-48410-531-1		1403-	01	B	
123		CONNECTOR; DBL CHECK VLV 1-09660-957-0		1403-	01	B	(A) DIN8 & R3/8 ELBOW

## 3-26

## TRAILER CONTROL

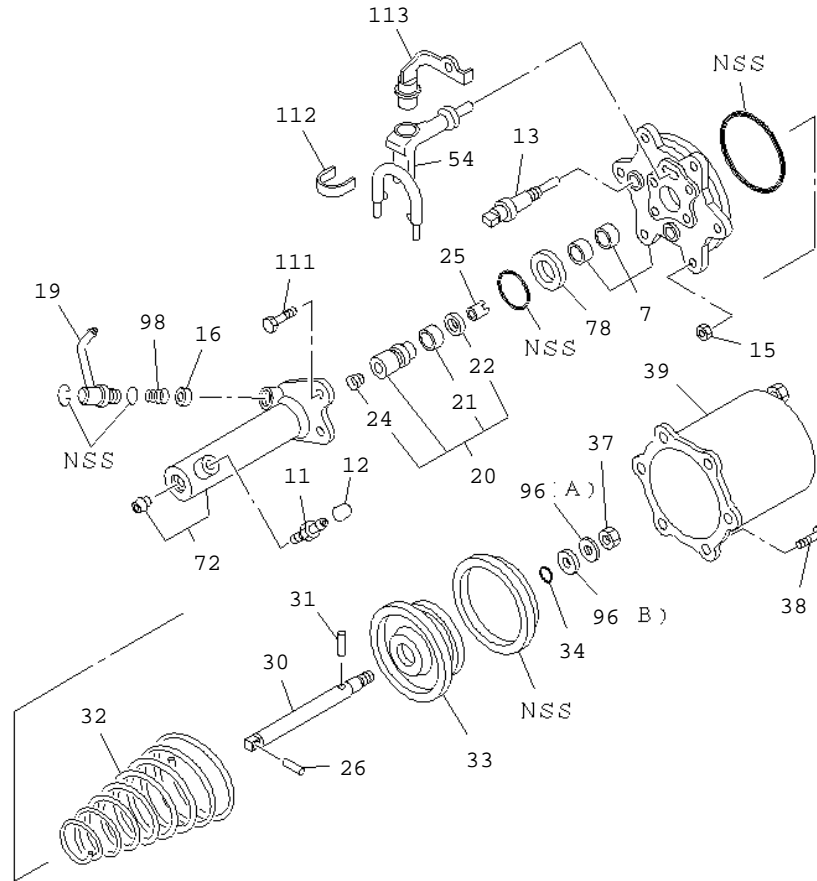
KEY	R / C	PART NAME PART NUMBER	I T C	APPLIED DATE	Qty	APPLIED MODEL	RESTRICTION/REMARKS
							A FVR WIDE CAB (FGR5MV) B GVR WIDE CAB (GGR5MV)
123		1-09660-959-0		1403-	01	B	(B) DIN12 & R3/8 ELBOW
		1-09661-026-0		1403-	01	B	(C) DIN12X2 & PT3/8 DOUBLE ELBOW
125		BOLT; RELAY VLV 0-28651-035-0		1403-	02	B	M10X35 FLANGE IDN
129		NUT; VLV 0-91180-210-0		1403-	02	B	M10 FLANGE
137		CONNECTOR; SUPPLY 1-09660-960-0		1403-	01	B	DIN12 & R1/2 ELBOW
138		CONNECTOR; DELIVERY 1-09660-959-0		1403-	02	B	DIN12 & R3/8 ELBOW
165		CONNECTOR; HAND BRK VLV 1-09660-693-0		1403-	01	B	(A) PT1/4 2WAY
		1-09660-956-0		1403-	02	B	(B) DIN8 & R1/4 ELBOW
		8-97062-077-1		1403-	01	B	(C)
174		SPRING; INL VLV 1-47819-040-0		1403-	01	B	
175		GUIDE; VLV, RELAY VLV 1-48129-078-0		1403-	01	B	
176		PISTON; RELAY VLV 1-48219-032-0		1403-	01	B	(A)
		1-48219-047-0		1403-	01	B	(B)
177		SPRING; RELAY VLV 1-48219-048-0		1403-	01	B	
178		COVER; RELAY VLV 1-48219-050-1		1403-	01	B	
179		BOLT; COVER, RELAY VLV 1-48219-041-0		1403-	04	B	
180		REPAIR KIT; RELAY VLV 1-85576-035-0		1403-	01	B	
183		RETAINER; VALVE 1-48213-002-0		1403-	01	B	
205		NUT; DOUBLE CHECK VLV					

3-26

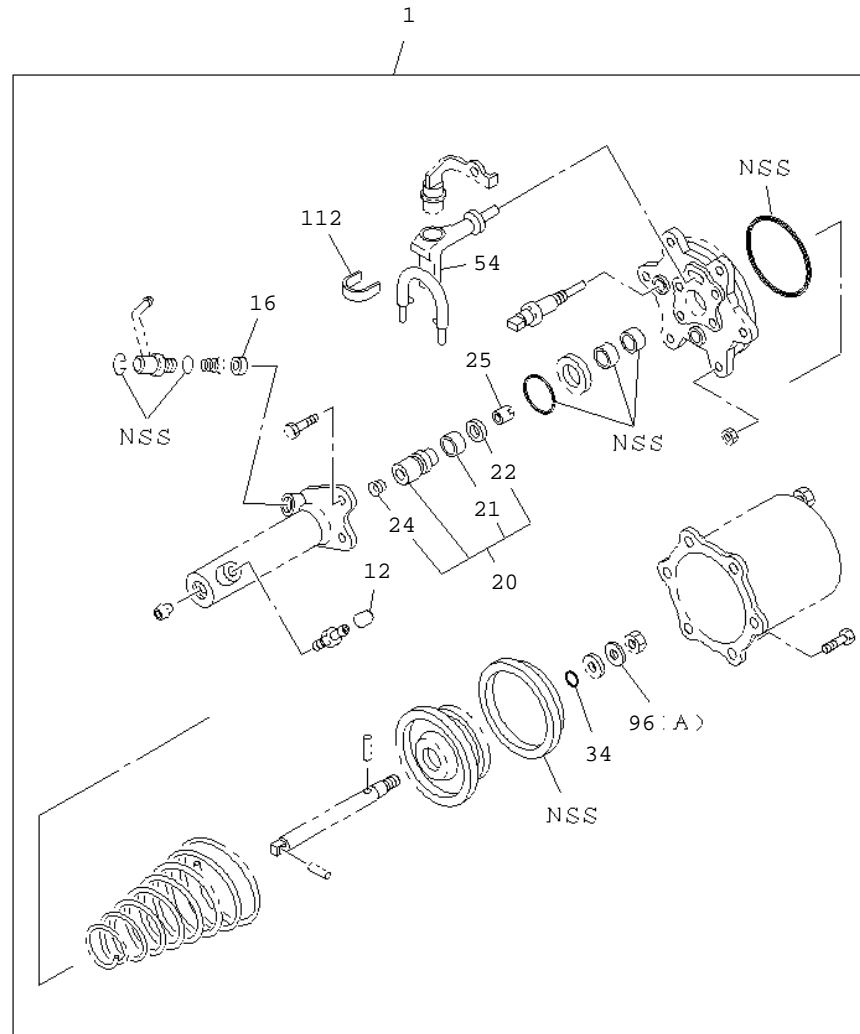
## TRAILER CONTROL

KEY	R / C	PART NAME PART NUMBER	I T C	APPLIED DATE	Qty	APPLIED MODEL	RESTRICTION/REMARKS
							A FVR WIDE CAB (FGR5MV) B GVR WIDE CAB (GGR5MV)
205		0-91180-108-0		1403-	02	B	
256		SEAL					M8 FLANGE
3-20		1-72497-062-1		1403-	01	B	
5-01		Move to 3-20					
		Move to 5-01					

11566 FVR/GVR (INDONESIA) 2014-



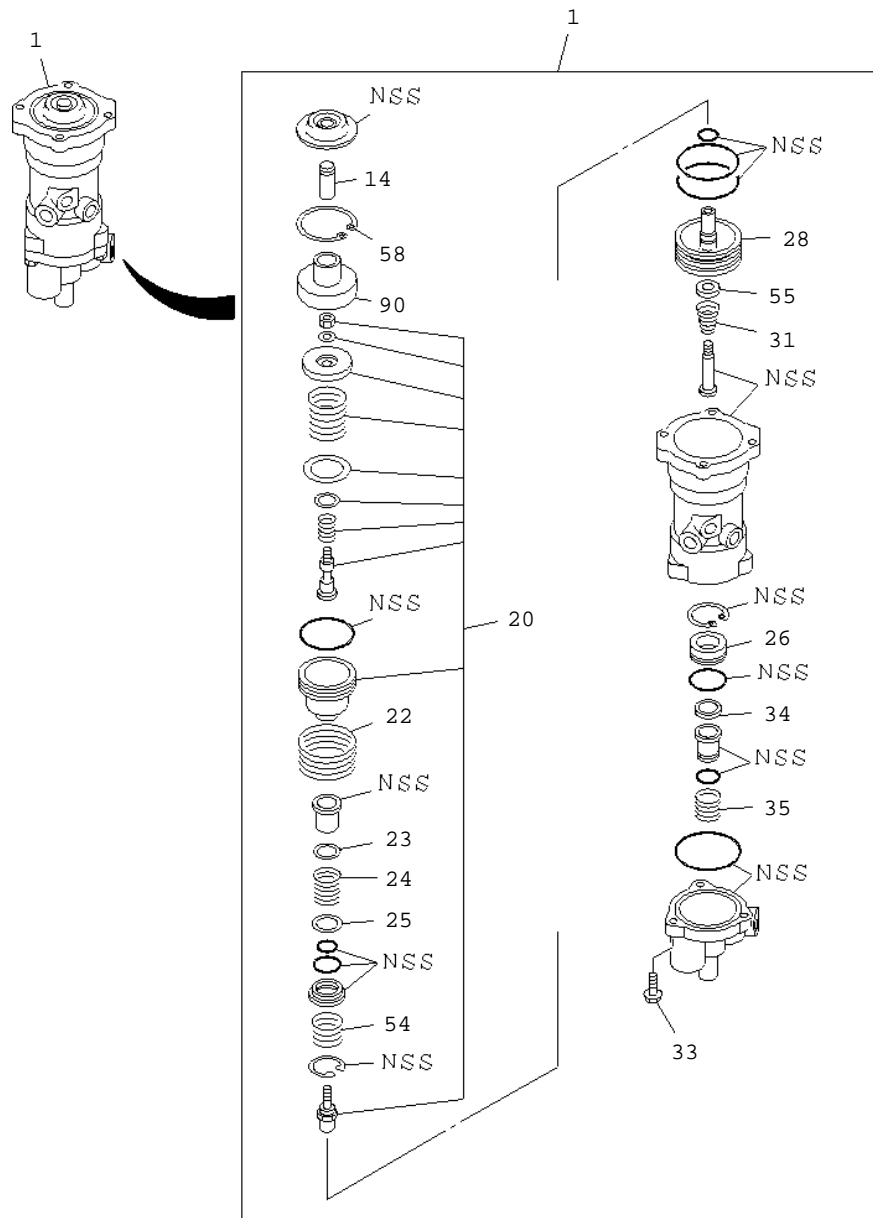
3-33 AIR MASTER  
REPAIR KIT



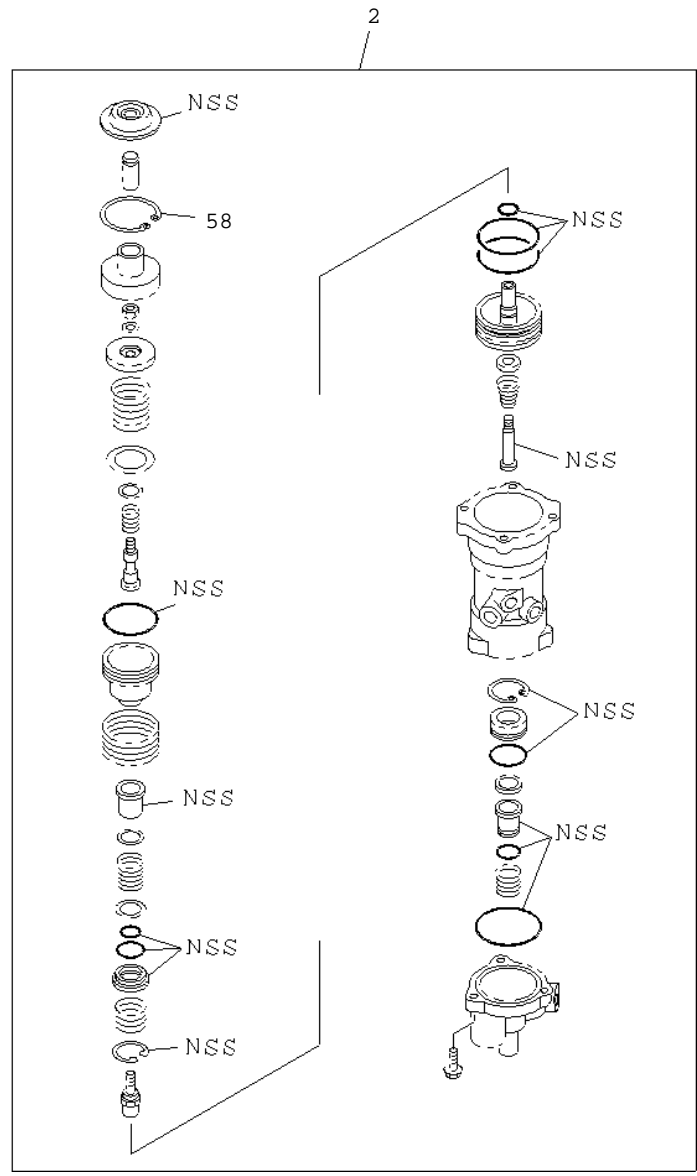
KEY	R / C	PART NAME PART NUMBER	I T C	APPLIED DATE	Qty for ASM A	RESTRICTION/REMARKS
						A 1478006631
1	B	REPAIR KIT; AIR MASTER				
		1-85576-208-0			01	
		1-85576-208-0			01	
7		PLATE; END,AIR MASTER				
		1-47841-084-0			01	
		1-47841-084-0			01	
11		PLUG; CAP,AIR MASTER				
		9-83331-704-0			01	
		9-83331-704-0			01	
12		PROTECTOR; CAP,AIR MASTER				
		9-83335-044-0			01	
		9-83335-044-0			01	
13		SWITCH; WARNING,AIR MASTER				
		1-47819-206-0			01	
		1-47819-206-0			01	
15		NUT; END PLATE TO SHELL,AIR MASTER				
		8-97096-430-0			07	M10 FLANGE
		8-97096-430-0			07	M10 FLANGE
16		VALVE ASM				
		1-47812-024-0			01	
		1-47812-024-0			01	
19		CONNECTOR; END PLATE,AIR MASTER				
		1-47819-204-0			01	
		1-47819-204-0			01	
20		PISTON ASM; HYDRAULIC				
		1-47812-022-0			01	
		1-47812-022-0			01	
21		GASKET; CUP				
		1-47821-041-0			01	
		1-47821-041-0			01	
22		RING; PISTON,HYDRAULIC				
		9-83325-077-0			01	
		9-83325-077-0			01	
24		SPRING; HYD PISTON,AIR MASTER				
		1-47829-111-0			01	
		1-47829-111-0			01	
25		SEAL; VALVE				
		1-47812-023-0			01	
		1-47812-023-0			01	
26		PIN; HYD PISTON,AIR MASTER				
		1-47829-039-0			01	
		1-47829-039-0			01	
30		ROD; PUSH,AIR MASTER				
		1-47829-107-0			01	
		1-47829-107-0			01	
31		PIN; STRAIGHT				
		1-47829-108-0			01	
		1-47829-108-0			01	

KEY	R / C	PART NAME PART NUMBER	I T C	APPLIED DATE	Qty for ASM A	RESTRICTION/REMARKS
						A 1478006631
32		SPRING; CYL SHELL,AIR MASTER 1-47829-109-0 1-47829-109-0			01 01	
33		PLATE; PISTON,SHELL,AIR MASTER 1-47829-106-0 1-47829-106-0			01 01	
34		GASKET 9-09561-111-0 9-09561-111-0			01 01	ID=11.0 ID=11.0
37		NUT; PUSH ROD,SHELL,AIR MASTER 9-99111-412-0 9-99111-412-0			01 01	M12 M12
38		BOLT; END PLATE TO SHELL,AIR MASTER 9-83315-078-0 9-83315-078-0			06 06	
39		SHELL; CYL,AIR MASTER 1-47811-138-0 1-47811-138-0			01 01	
54		COVER; EXH,END PLATE,AIR MASTER 1-47819-187-0 1-47819-187-0			01 01	
72		CYLINDER; AIR MASTER 1-47811-139-0 1-47811-139-0			01 01	
78		COLLAR; AIR MASTER 1-47829-110-0 1-47829-110-0			01 01	
96		WASHER 1-47829-032-0 1-47829-032-0 1-47829-053-0 1-47829-053-0			01 01 01 01	(A) (A) (B) (B)
98		SPRING; VALVE 1-47819-205-0 1-47819-205-0			01 01	
111		BOLT; CYL,AIR MASTER 1-47819-203-0 1-47819-203-0			03 03	
112		CLAMP; EXH COVER,AIR MASTER 1-47819-188-0 1-47819-188-0			01 01	
113		HOLDER; EXH COVER,AIR MASTER 1-47819-207-0 1-47819-207-0			01 01	





**3-34**      **BRAKE VALVE; AIR**  
REPAIR KIT



## 3-34

## BRAKE VALVE; AIR

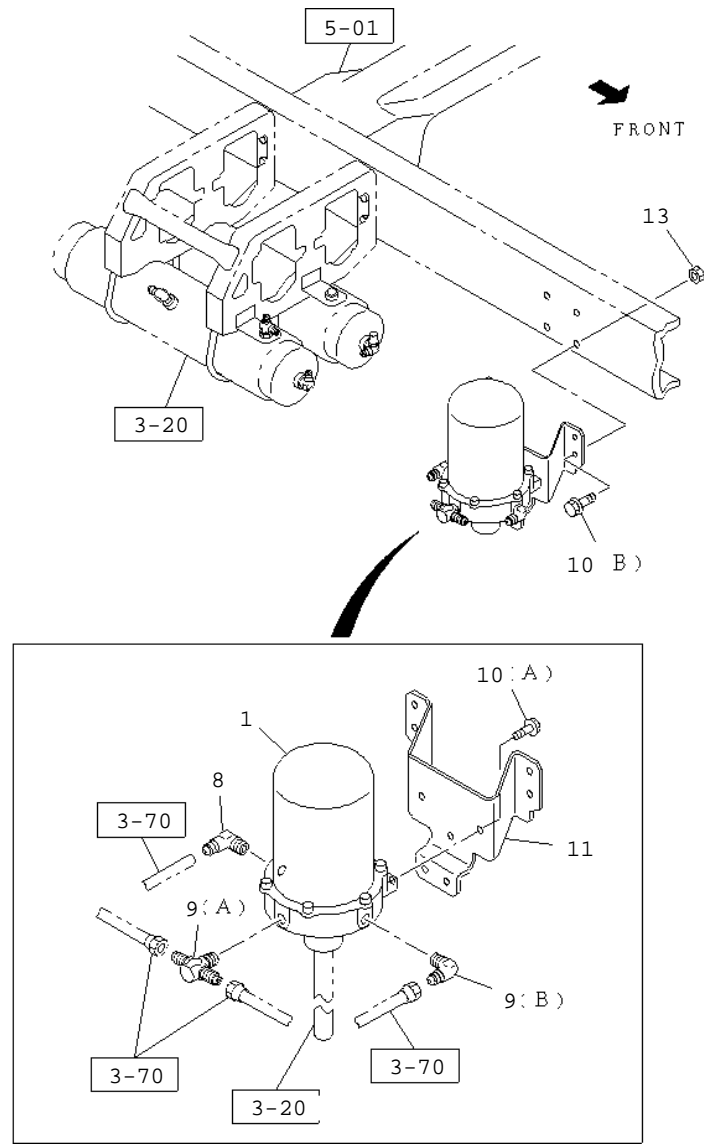
KEY	R / C	PART NAME PART NUMBER	I T C	APPLIED DATE	Qty	APPLIED MODEL	RESTRICTION/REMARKS	
							A FVR WIDE CAB(FGR5MV)	B GVR WIDE CAB(GGR5MV)
1		VALVE; BRK 8-98222-789-0		1312-1402	01	A		
		8-98222-789-0		1403-	01	AB		
2	B	REPAIR KIT; BRK VLV 8-98222-820-0		1312-1402	01	A		
		8-98222-820-0		1403-	01	AB		
14		PLUNGER; BRK VLV 1-48119-641-0		1312-1402	01	A		
		1-48119-641-0		1403-	01	AB		
20		PISTON; UPR, BRK VLV 1-48119-644-0		1312-1402	01	A		
		1-48119-644-0		1403-	01	AB		
22		SPRING; PISTON, LWR, BRK VLV 1-48123-076-0		1312-1402	01	A		
		1-48123-076-0		1403-	01	AB		
23		WASHER; UPR, BRK VLV 1-48129-299-0		1312-1402	01	A		
		1-48129-299-0		1403-	01	AB		
24		SPRING; UPR, BRK VLV 1-48123-077-0		1312-1402	01	A		
		1-48123-077-0		1403-	01	AB		
25		WASHER; PISTON, BRK VLV 1-48129-300-0		1312-1402	01	A		
		1-48129-300-0		1403-	01	AB		
26		RETAINER; VLV, BRK VLV 1-48129-308-0		1312-1402	01	A		
		1-48129-308-0		1403-	01	AB		
28		PISTON; LWR, BRK VLV 1-48129-302-0		1312-1402	01	A		
		1-48129-302-0		1403-	01	AB		
31		SPRING; VLV, BRK VLV 1-48123-079-0		1312-1402	01	A		
		1-48123-079-0		1403-	01	AB		
33		BOLT; BODY, BRK VLV 1-48119-213-0		1312-1402	03	A		
		1-48119-213-0		1403-	03	AB		
34		RETAINER; VLV, BRK VLV 1-48129-307-0		1312-1402	01	A		
		1-48129-307-0		1403-	01	AB		
35		SPRING; VLV, BRK VLV 1-48123-078-0		1312-1402	01	A		
		1-48123-078-0		1403-	01	AB		
54		SPRING; PISTON, UPR, BRK VLV 1-48123-075-0		1312-1402	01	A		
		1-48123-075-0		1403-	01	AB		
55		RETAINER; PLATE, BRK VLV 1-48129-305-0		1312-1402	01	A		
		1-48129-305-0		1403-	01	AB		

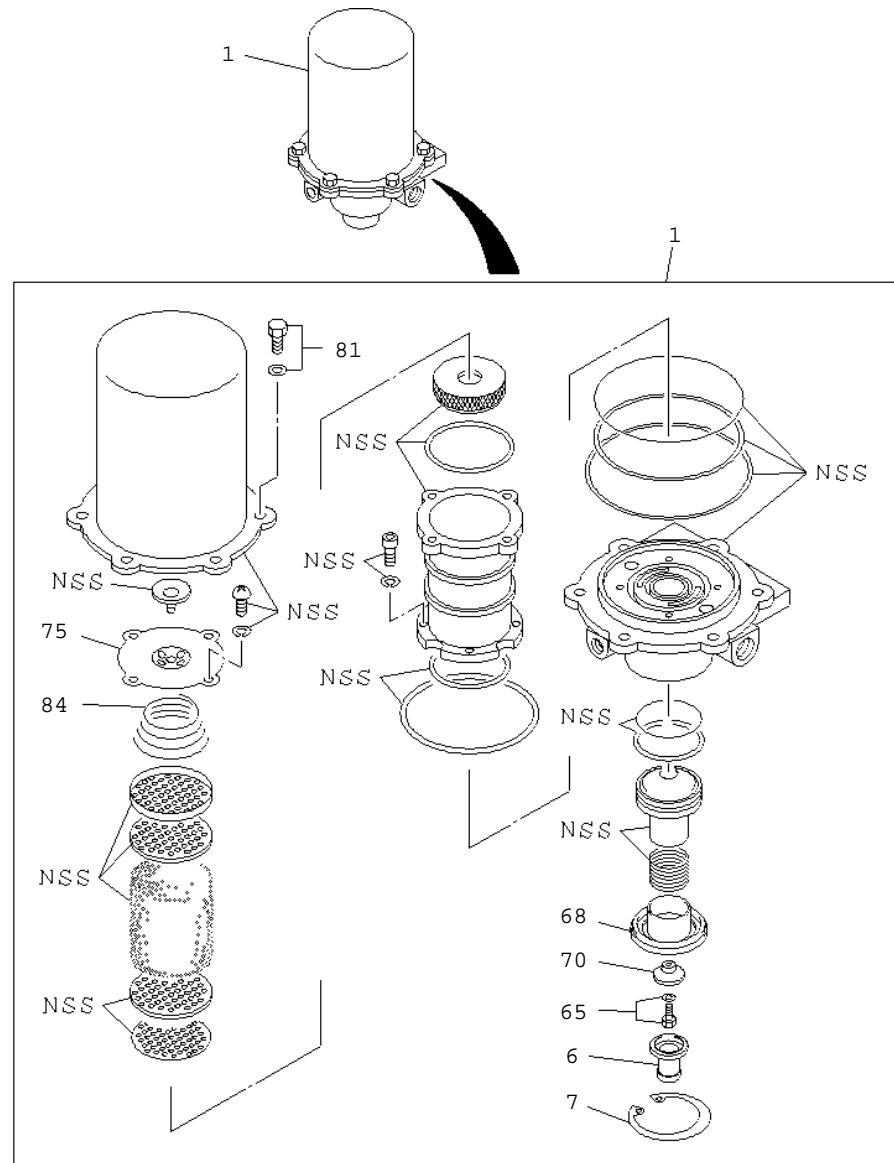
3-34

## BRAKE VALVE; AIR

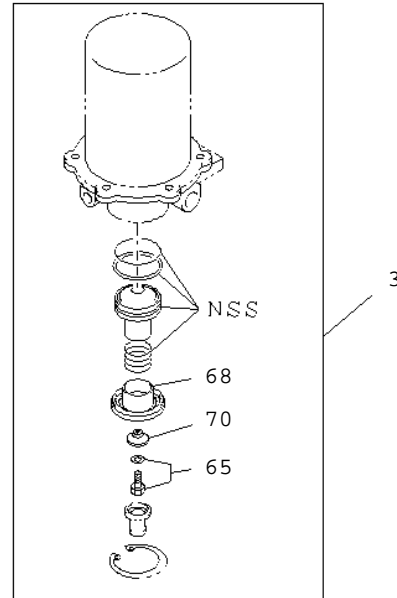
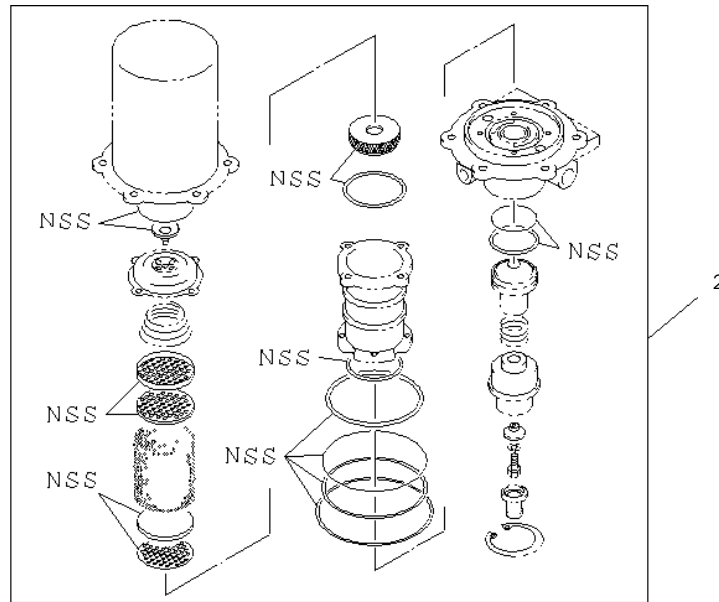
KEY	R / C	PART NAME PART NUMBER	I T C	APPLIED DATE	Qty	APPLIED MODEL	RESTRICTION/REMARKS
							A FVR WIDE CAB(FGR5MV) B GVR WIDE CAB(GGR5MV)
58		RING; RET, EXH, BRK VLV 1-48219-198-0 1-48219-198-0		1312-1402 1403-	01 01	A AB	
90		GUIDE; PLUNGER 1-48119-642-0 1-48119-642-0		1312-1402 1403-	01 01	A AB	

11566 FVR/GVR (INDONESIA) 2014-





**3-46 AIR DRYER**  
REPAIR AND PISTON KIT



3-46

## AIR DRYER

KEY	R / C	PART NAME PART NUMBER	I T C	APPLIED DATE	Qty	APPLIED MODEL	RESTRICTION/REMARKS
							A FVR WIDE CAB(FGR5MV) B GVR WIDE CAB(GGR5MV)
1		DRYER; AIR 1-48190-299-1		1312-1402	01	A	
		1-48190-299-1		1403-	01	AB	
2		REPAIR KIT; AIR DRYER 1-85576-217-0		1312-1402	01	A	
		1-85576-217-0		1403-	01	AB	
3		PISTON KIT; AIR DRYER 1-85576-193-0		1312-1402	01	A	
		1-85576-193-0		1403-	01	AB	
6		COVER; EXH,AIR DRYER 1-48199-404-0		1312-1402	01	A	
		1-48199-404-0		1403-	01	AB	
7		RING; SNAP,AIR DRYER 1-48199-403-0		1312-1402	01	A	
		1-48199-403-0		1403-	01	AB	
8		CONNECTOR; OUT,AIR DRYER 1-09660-960-0		1312-1402	01	A	
		1-09660-960-0		1403-	01	AB	DIN12 & R1/2 ELBOW
9		CONNECTOR; PIPE,AIR DRYER 1-09656-229-1		1312-1402	01	A	
		1-09656-229-1		1403-	01	AB	DIN12 & R1/2 ELBOW  (A) M12X2 & PT1/4 3WAY
		1-48320-026-2		1312-1402	01	A	(A) M12X2 & PT1/4 3WAY
		1-48320-026-2		1403-	01	AB	(B) M22 & R1/2 W/VALVE
10		BOLT; AIR DRYER 0-28051-020-0		1312-1402	03	A	
		0-28051-020-0		1403-	03	AB	(B) M22 & R1/2 W/VALVE
		0-28651-035-0		1312-1402	04	A	(A) M10X20 FLANGE
		0-28651-035-0		1403-	04	AB	(A) M10X20 FLANGE  (B) M10X35 FLANGE IDN
							(B) M10X35 FLANGE IDN



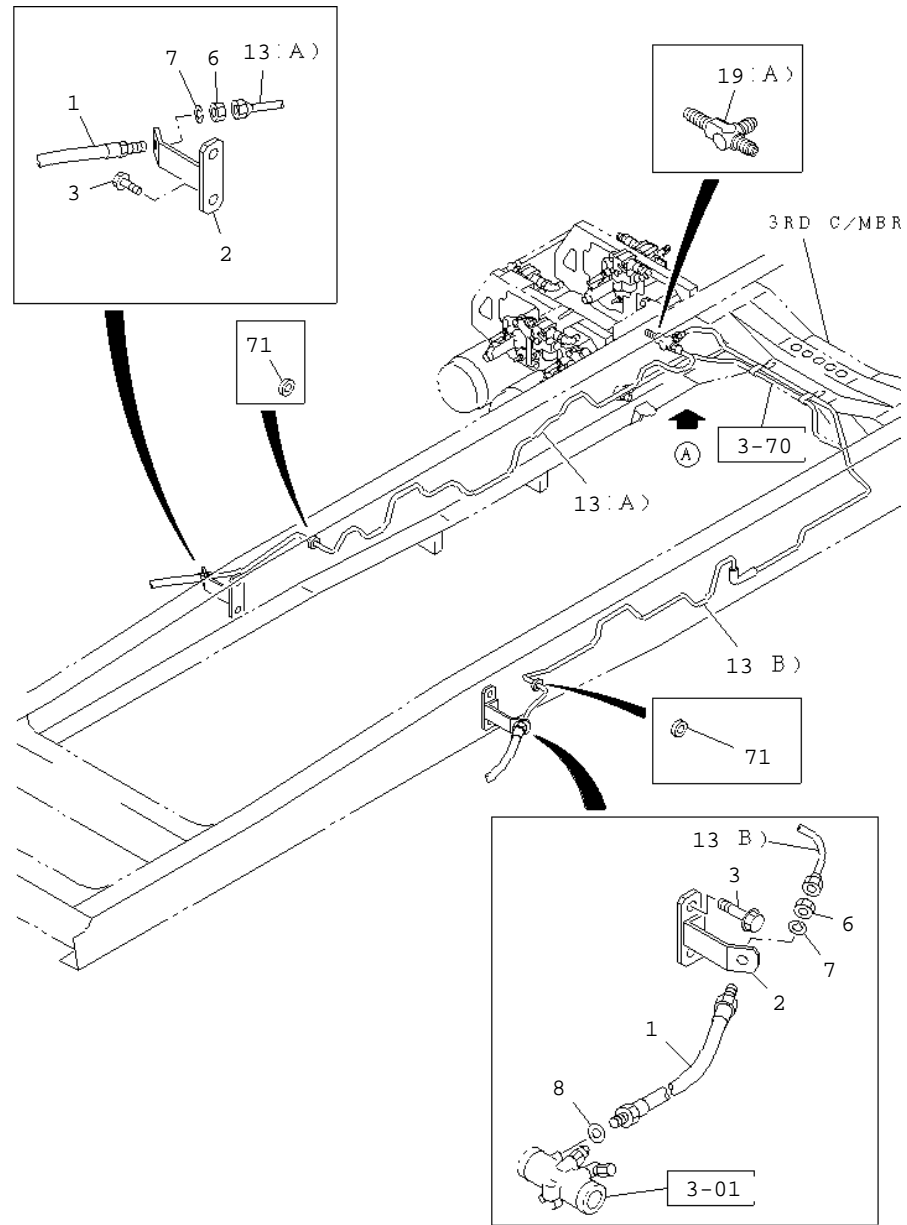
3-46

## AIR DRYER

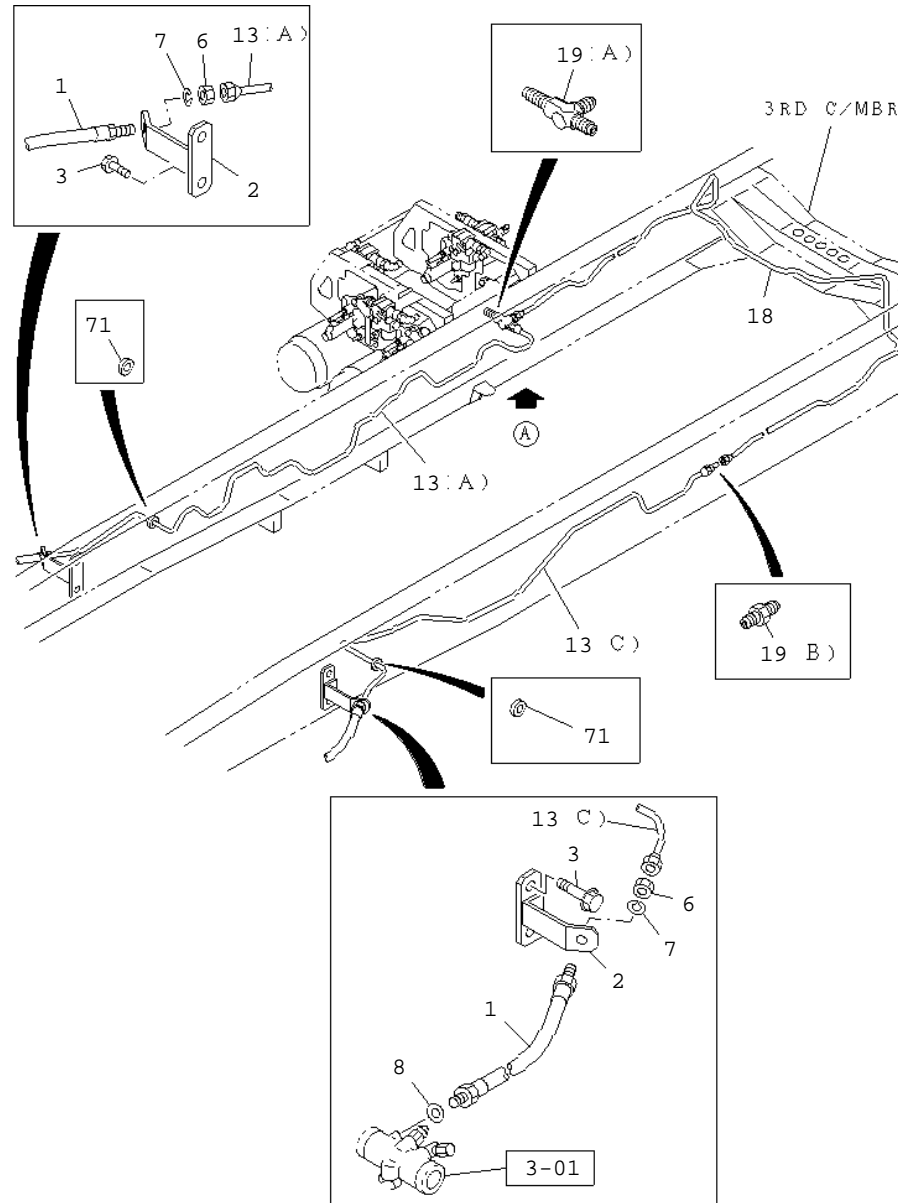
KEY	R / C	PART NAME PART NUMBER	I T C	APPLIED DATE	Qty	APPLIED MODEL	RESTRICTION/REMARKS
							A FVR WIDE CAB(FGR5MV) B GVR WIDE CAB(GGR5MV)
11		BRACKET; AIR DRYER 8-98111-760-0		1312-1402	01	A	
		8-98111-760-0		1403-	01	AB	
13		NUT; AIR DRYER 0-91180-210-0		1312-1402	04	A	
		0-91180-210-0		1403-	04	AB	M10 FLANGE
65		BOLT; PURGE VLV 1-48199-393-0		1312-1402	01	A	
		1-48199-393-0		1403-	01	AB	
68		BODY; VALVE 1-48199-408-0		1312-1402	01	A	
		1-48199-408-0		1403-	01	AB	
70		VALVE; AIR DRYER 1-48199-105-0		1312-1402	01	A	
		1-48199-105-0		1403-	01	AB	
75		COVER; CASE,AIR DRYER 1-48199-427-0		1312-1402	01	A	
		1-48199-427-0		1403-	01	AB	
81		BOLT; CASE,AIR DRYER 1-48199-436-0		1312-1402	06	A	
		1-48199-436-0		1403-	06	AB	
84		SPRING; AIR DRYER 1-48199-425-0		1312-1402	01	A	
		1-48199-425-0		1403-	01	AB	
3-20		Move to 3-20					
3-70		Move to 3-70					
5-01		Move to 5-01					

3-52 BRAKE PIPING; OIL, FRONT

FRAME SIDE NO.1

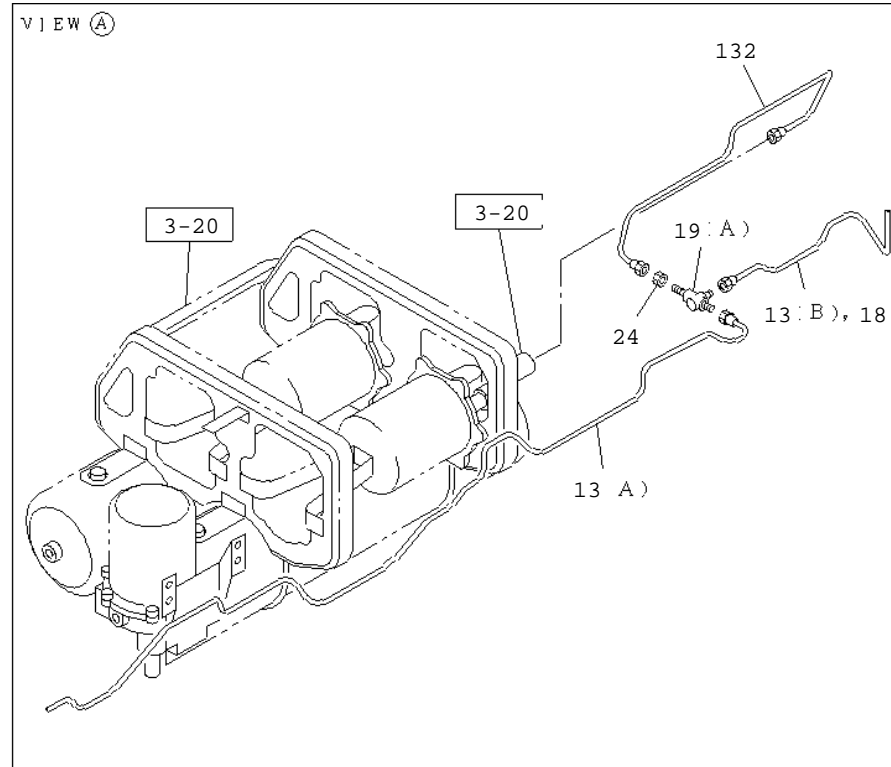


3-52 BRAKE PIPING; OIL, FRONT  
FRAME SIDE NO.2



3-52 BRAKE PIPING; OIL, FRONT

AIR TANK SIDE



3-52

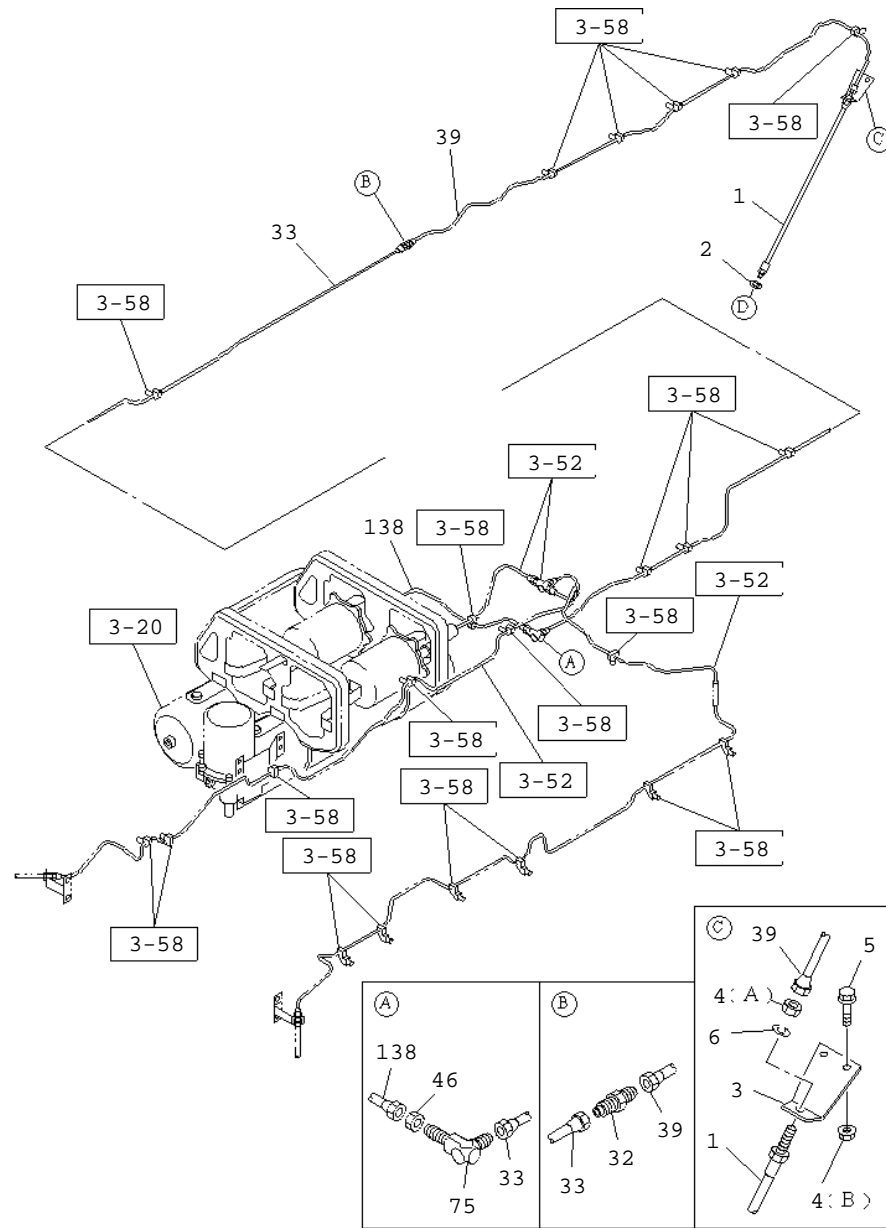
## BRAKE PIPING; OIL, FRONT

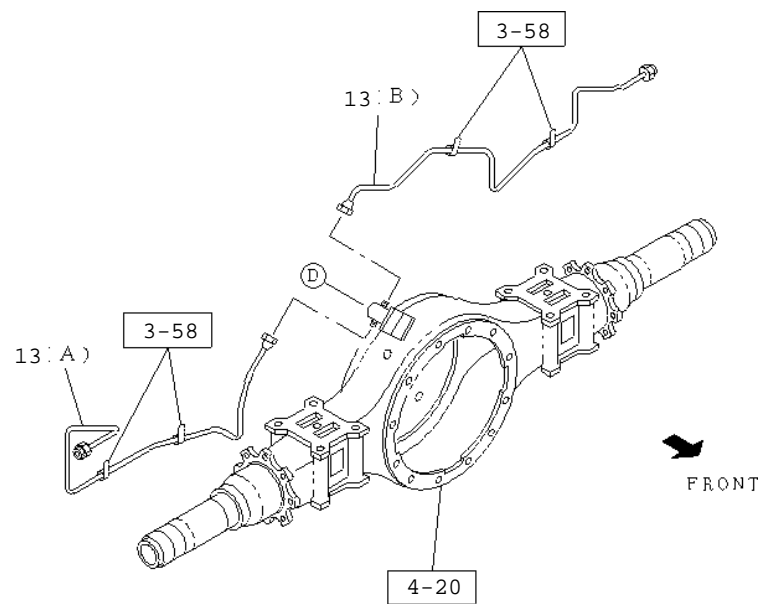
KEY	R / C	PART NAME PART NUMBER	I T C	APPLIED DATE	L / R	Qty	APPLIED MODEL	RESTRICTION/REMARKS	
								A FVR WIDE CAB(FGR5MV)	B GVR WIDE CAB(GGR5MV)
1	A	HOSE; FLEX,FRT BRK 0-05212-610-0		1312-1402		02	A		
		0-05212-610-0		1403-		02	AB	L=610	
2		BRACKET; FLEX HOSE,FRT BRK 8-98177-524-0		1312-1402		02	A		
		8-98177-524-0		1403-		02	AB	L=610	
3		BOLT; BRKT,FLEX HOSE,FRT BRK 0-28650-825-0		1312-1402		04	A		
		0-28650-825-0		1403-		04	AB	M8X25 FLANGE IDN	
6		NUT; FLEX HOSE,FRT BRK 9-09840-280-0		1312-1402		02	A		
		9-09840-280-0		1403-		02	AB	M12	
7		WASHER; LK,FLEX HOSE,FRT BRK 0-91510-512-0		1312-1402		02	A		
		0-91510-512-0		1403-		02	AB	ID=12.2	
8		GASKET; FLEX HOSE,FRT BRK 9-09920-472-0		1312-1402		02	A		
		9-09920-472-0		1403-		02	AB	ID=9 OD=17	
13		PIPE; OIL,UNION TO UNION 1-47428-734-0		1406-	L	01	A		
		1-47428-736-0		1406-	R	01	A	6HK1-TCS ENG(80L) (C) L=1320 SERVICED BY L=1370	
		1-47428-736-0		1403-	R	01	B	6HK1-TCS ENG(80L) (A) L=1540 SERVICED BY L=1620	
		1-47428-746-0		1403-	L	01	B	(A) L=1531 SERVICED BY L=1620	
								(B) L=3291 SERVICED BY L=3400	

## 3-52

## BRAKE PIPING; OIL, FRONT

KEY	R / C	PART NAME PART NUMBER	I T C	APPLIED DATE	L / R	Qty	APPLIED MODEL	RESTRICTION/REMARKS
								A FVR WIDE CAB(FGR5MV) B GVR WIDE CAB(GGR5MV)
13		1-47428-746-0		1312-	L	01	A	6HK1-TCN ENG(82L) (B) L=3272 SERVICED BY L=3400
		8-98185-767-0		1312-	R	01	A	6HK1-TCN ENG(82L) (A) L=1606 IDN
18		PIPE; OIL, UNION TO FRT FLEX HOSE 1-47428-743-0		1406-	L	01	A	6HK1-TCS ENG(80L) L=2552 SERVICED BY L=2650
19		UNION; OIL PIPE 0-92113-006-0		1406-		01	A	6HK1-TCS ENG(80L) (B) M12 L=40
		0-92138-906-0		1312-1402		01	A	(A) M12 3WAY
		0-92138-906-0		1403-		01	AB	(A) M12 3WAY
24		NUT; UNION, OIL PIPE 9-09840-280-0		1312-1402		01	A	M12
		9-09840-280-0		1403-		01	AB	M12
71		GROMMET; OIL PIPE 9-09956-092-1		1312-1402		02	A	ID=24 OD=30 T=17
		9-09956-092-1		1403-		02	AB	ID=24 OD=30 T=17
132		PIPE; OIL, BRK, HYD UNIT 1-47428-729-0		1312-1402		01	A	L=895 SERVICED BY L=900
		1-47428-729-0		1403-		01	AB	L=895 SERVICED BY L=900
3-01		Move to 3-01						
3-70		Move to 3-70						
3-20		Move to 3-20						







KEY	R / C	PART NAME PART NUMBER	I T C	APPLIED DATE	L / R	Qty	APPLIED MODEL	RESTRICTION/REMARKS	
								A FVR WIDE CAB(FGR5MV)	B GVR WIDE CAB(GGR5MV)
1	A	HOSE; FLEX,RR BRK 0-05212-700-0		1312-1402		01	A		
		0-05212-700-0		1403-		01	AB	L=700	
2		GASKET; FLEX HOSE,RR BRK 9-09920-472-0		1312-1402		01	A	L=700	
		9-09920-472-0		1403-		01	AB	ID=9 OD=17	
3		BRACKET; FLEX HOSE,RR BRK 1-47465-251-0		1312-1402		01	A	ID=9 OD=17	
		1-47465-251-0		1403-		01	AB		
4		NUT; BRKT,FLEX HOSE,RR BRK 0-91180-108-0		1312-1402		02	A	(B)	
		0-91180-108-0		1403-		02	AB	M8 FLANGE	
		9-09840-280-0		1312-1402		01	A	(B)	
		9-09840-280-0		1403-		01	AB	M8 FLANGE	
5		BOLT; BRKT,FLEX HOSE,RR BRK 0-28650-825-0		1312-1402		02	A	(A)	
		0-28650-825-0		1403-		02	AB	M12	
								(A)	
								M12	
								(A)	
								M12	
6		WASHER; LK,FLEX HOSE 0-91510-812-0		1312-1402		01	A	(A)	
		0-91510-812-0		1403-		01	AB	M8X25 FLANGE	
								IDN	
								M8X25 FLANGE	
								IDN	
13		PIPE; BRK,RR AXLE 8-98251-938-0		1403-	R	01	B	ID=12.2	
		8-98251-939-0		1403-	L	01	B	ID=12.2	
		8-98003-970-0		1312-	R	01	A	(A)	
								IDN	
								(B)	
								IDN	
								(A)	
								L=935	

## 3-55

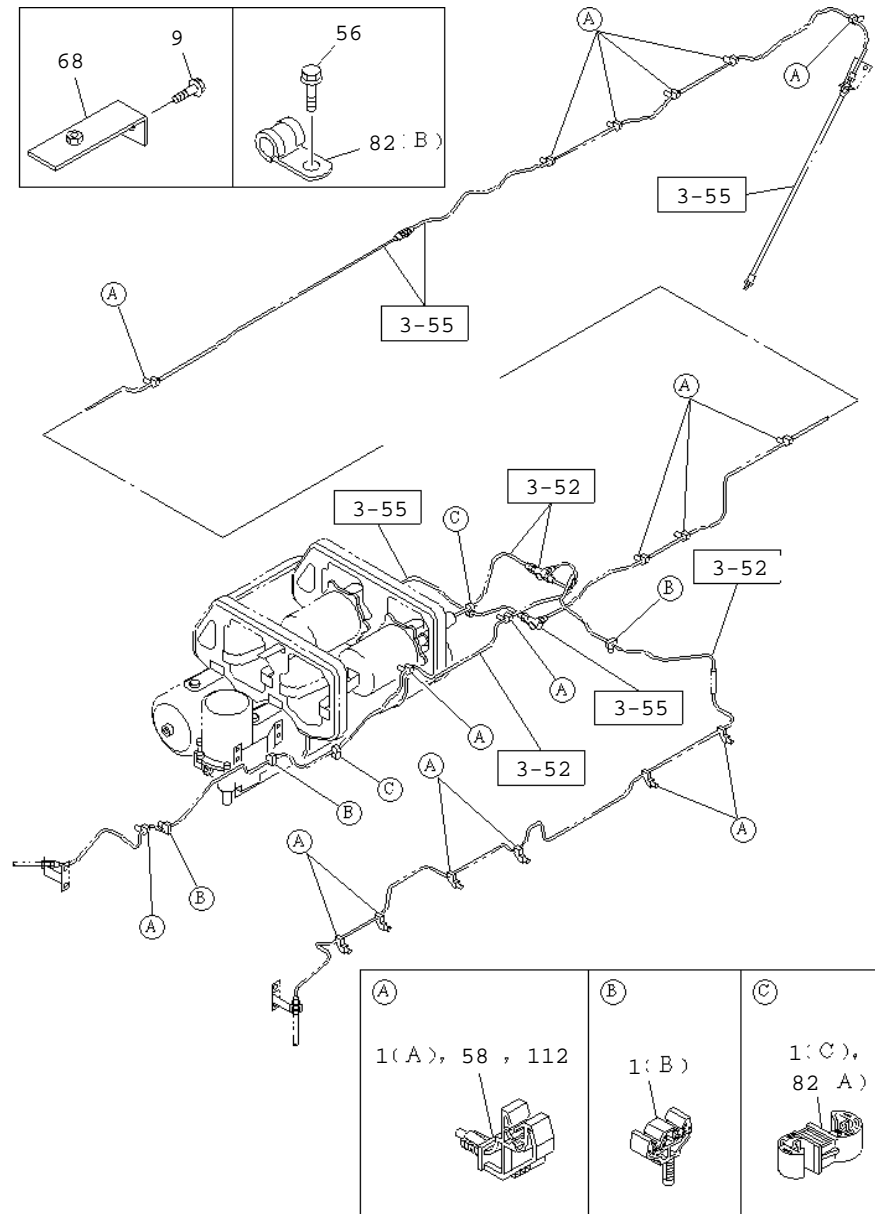
## BRAKE PIPING; OIL, REAR

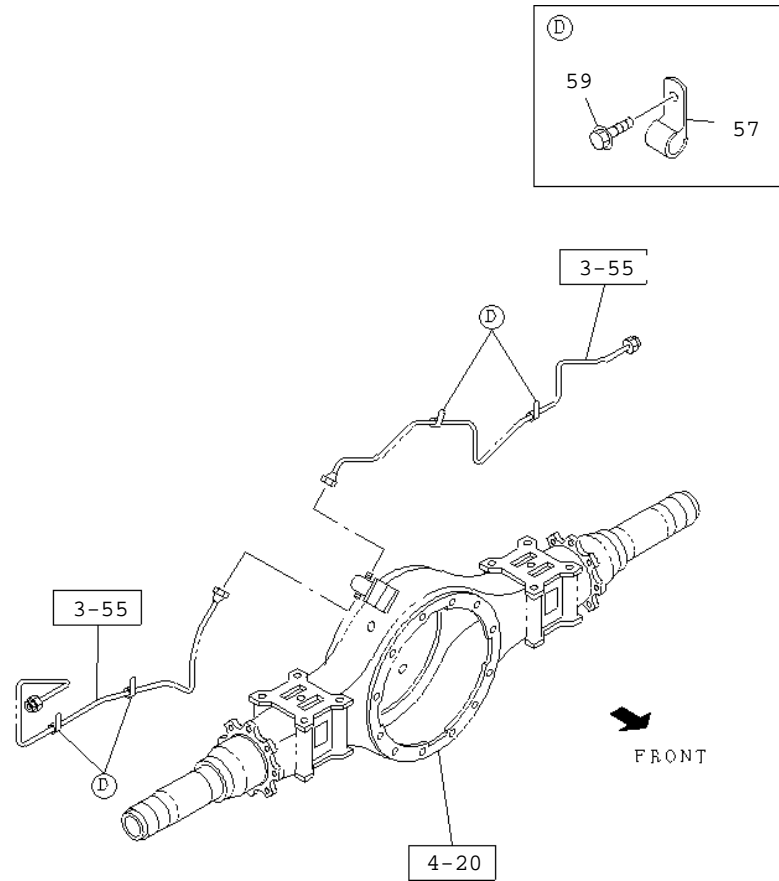
KEY	R / C	PART NAME PART NUMBER	I T C	APPLIED DATE	L / R	Qty	APPLIED MODEL	RESTRICTION/REMARKS
								A FVR WIDE CAB(FGR5MV) B GVR WIDE CAB(GGR5MV)
13		8-98003-971-0		1312-	L	01	A	(B) L=1212
32		UNION; OIL PIPE 0-92113-006-0		1312-1402		01	A	M12 L=40
		0-92113-006-0		1403-		01	AB	M12 L=40
33		PIPE; OIL, UNION TO UNION 1-47428-733-0		1403-		01	B	L=1213 SERVICED BY L=1250 WHEEL BASE 4200MM(42W) L=1240 SERVICED BY L=1250 WHEEL BASE 5000MM(50W) L=2040 IDN WHEEL BASE 6000MM(60W) L=3041 SERVICED BY L=3200
		1-47428-733-0		1312-		01	A	
		8-98185-689-0		1312-		01	A	
		1-47428-745-0		1312-		01	A	
39		PIPE; OIL, UNION TO RR FLEX HOSE 1-47428-736-0		1403-		01	B	L=1536 SERVICED BY L=1620
		1-47428-740-0		1312-		01	A	L=2138 SERVICED BY L=2200
46		NUT; UNION, OIL PIPE 9-09840-280-0		1312-1402		01	A	M12
		9-09840-280-0		1403-		01	AB	M12
75		UNION; OIL PIPE 0-92125-206-0		1312-1402		01	A	M12 ELBOW
		0-92125-206-0		1403-		01	AB	M12 ELBOW
138		PIPE; HYDRAULIC UNIT 1-47428-724-0		1312-1402		01	A	L=504 SERVICED BY L=550
		1-47428-724-0		1403-		01	AB	L=504 SERVICED BY L=550
3-20		Move to 3-20						
3-52		Move to 3-52						
3-58		Move to 3-58						

3-55

**BRAKE PIPING; OIL, REAR**

KEY	R / C	PART NAME PART NUMBER	I T C	APPLIED DATE	L / R	Qty	APPLIED MODEL	RESTRICTION/REMARKS
								A FVR WIDE CAB(FGR5MV) B GVR WIDE CAB(GGR5MV)
4-20		Move to 4-20						





## FIXING PARTS; OIL PIPING

KEY	R / C	PART NAME PART NUMBER	I T C	APPLIED DATE	Qty	APPLIED MODEL	RESTRICTION/REMARKS
							A FVR WIDE CAB (FGR5MV) B GVR WIDE CAB (GGR5MV)
1		CLIP; OIL PIPE TO BODY 1-09701-247-1		1406-	11	A	6HK1-TCS ENG (80L) (A) ID=6.35
		8-98012-254-1		1406-	01	A	6HK1-TCS ENG (80L) (B)
		1-09701-247-1		1312-1402	06	A	6HK1-TCN ENG (82L) (A) ID=6.35
		1-09701-247-1		1403-	06	A	6HK1-TCN ENG (82L) (A) ID=6.35
		1-09701-247-1		1403-	06	B	(A) ID=6.35
		1-09709-273-1		1312-	01	A	6HK1-TCN ENG (82L) (C) ID=6.35 & 6.35
		8-98012-254-1		1312-1402	03	A	6HK1-TCN ENG (82L) (B)
		8-98012-254-1		1403-	03	A	6HK1-TCN ENG (82L) (B)
		8-98012-254-1		1403-	03	B	(B)
9		BOLT; BRKT 0-28650-830-0		1312-1402	01	A	M8X30 FLANGE
		0-28650-830-0		1403-	01	AB	M8X30 FLANGE
56		BOLT; CLIP 0-28650-820-0		1312-1402	01	A	M8X20 FLANGE IDN
		0-28650-820-0		1403-	01	AB	M8X20 FLANGE IDN
57		CLIP; BRK PIPE,RR AXLE 0-95234-635-0		1403-	07	B	ID=7 L=20
		0-95234-635-0		1312-	04	A	ID=7 L=20
58		CLIP; OIL PIPE 1-09701-247-1		1403-	03	B	ID=6.35
		1-09701-247-1		1312-	06	A	ID=6.35
59		BOLT; BRK PIPE,RR AXLE					

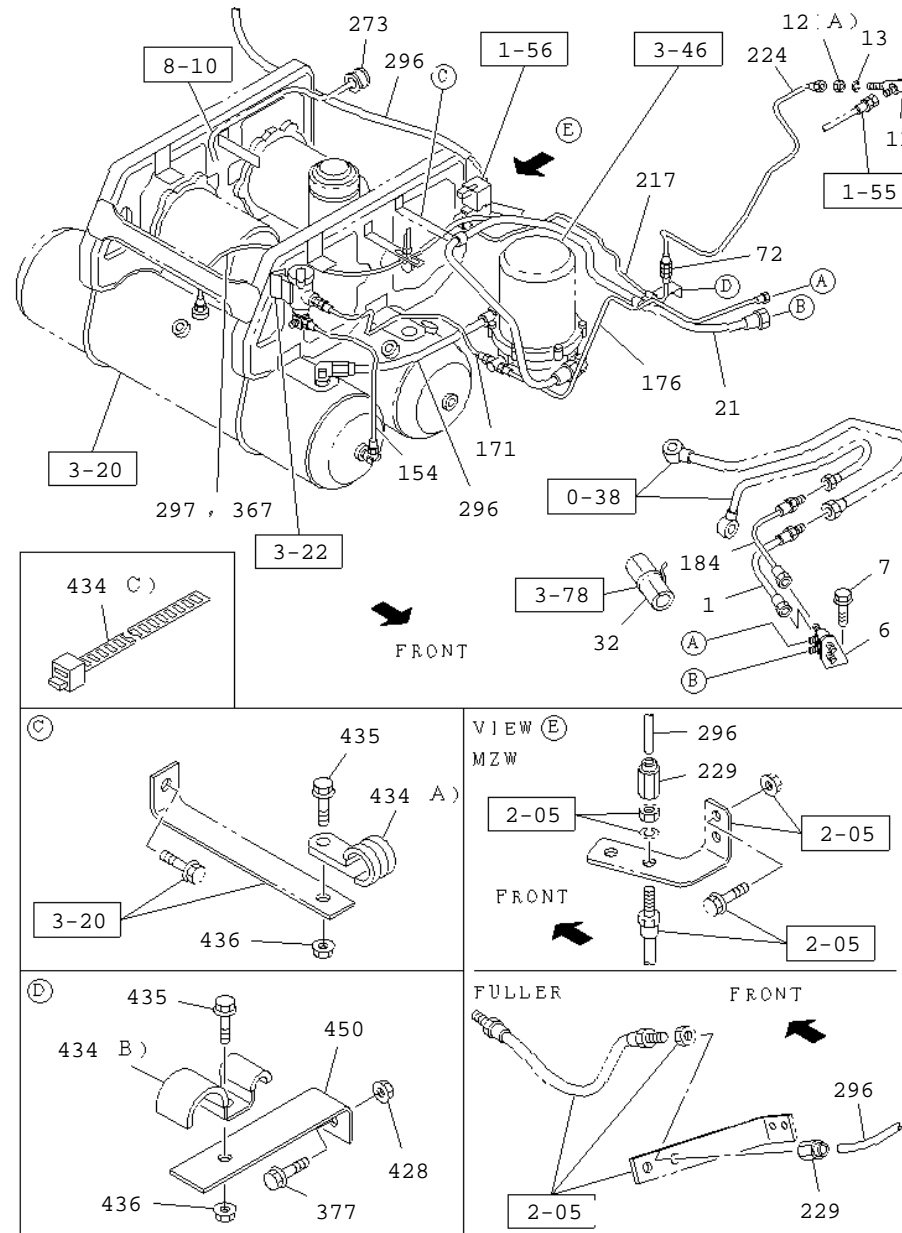
## 3-58

## FIXING PARTS; OIL PIPING

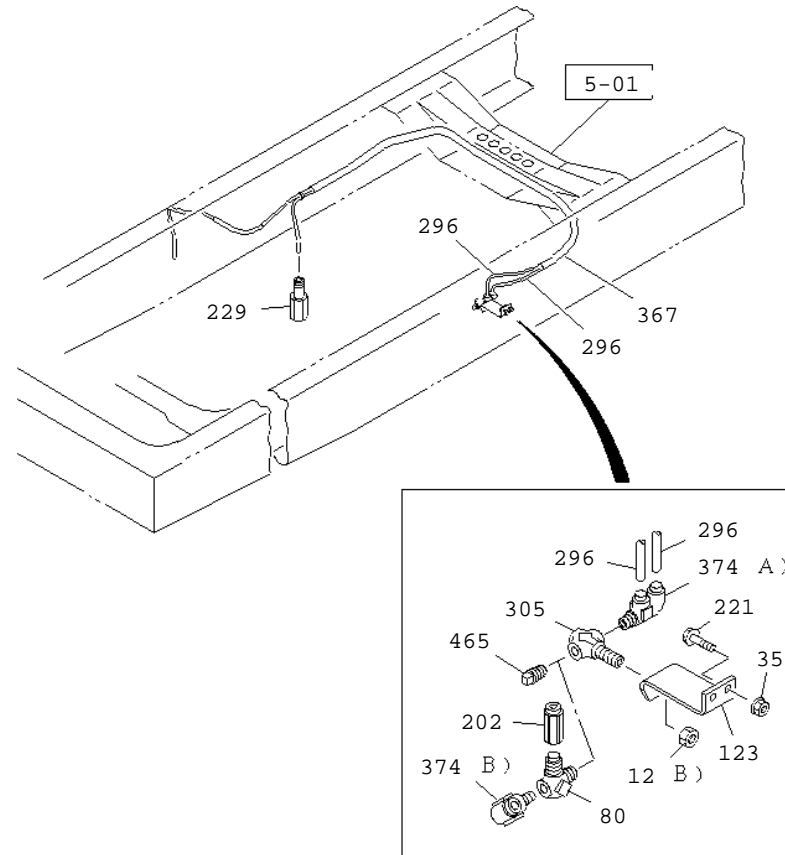
KEY	R / C	PART NAME PART NUMBER	I T C	APPLIED DATE	Qty	APPLIED MODEL	RESTRICTION/REMARKS
							A FVR WIDE CAB (FGR5MV) B GVR WIDE CAB (GGR5MV)
59		0-28050-810-0		1403-	07	B	
		0-28050-810-0		1312-	04	A	M8X10 FLANGE
68		BRACKET; CLIP 1-47475-519-0		1312-1402	01	A	M8X10 FLANGE
		1-47475-519-0		1403-	01	AB	
82		CLIP; OIL PIPE 0-95234-625-0		1312-1402	01	A	(B) ID=7 L=16
		0-95234-625-0		1403-	01	AB	(B) ID=7 L=16
		1-09709-273-1		1312-1402	01	A	(A) ID=6.35 & 6.35
		1-09709-273-1		1403-	01	AB	(A) ID=6.35 & 6.35
112		CLIP; OIL PIPE 1-09701-247-1		1312-1402	03	A	WHEEL BASE 4200MM(42W) ID=6.35
		1-09701-247-1		1403-	03	A	WHEEL BASE 4200MM(42W) ID=6.35
		1-09701-247-1		1403-	03	B	ID=6.35
		1-09701-247-1		1312-	05	A	WHEEL BASE 5000MM(50W) ID=6.35
		1-09701-247-1		1312-	06	A	WHEEL BASE 6000MM(60W) ID=6.35
3-52		Move to 3-52					
3-55		Move to 3-55					
4-20		Move to 4-20					

# 3-70 BRAKE PIPING; AIR, AIR MASTER

AIR TANK SIDE







3-70

## BRAKE PIPING; AIR, AIR MASTER

KEY	R / C	PART NAME PART NUMBER	I T C	APPLIED DATE	Qty	APPLIED MODEL	RESTRICTION/REMARKS
							A FVR WIDE CAB(FGR5MV) B GVR WIDE CAB(GGR5MV)
1		HOSE; FLEX, AIR TANK 8-97607-730-0		1312-1402	01	A	
		8-97607-730-0		1403-1405	01	AB	L=310
		8-97607-730-0		1406-	01	AB	L=310
6		BRACKET; FLEX HOSE, AIR TANK 8-98117-117-0		1312-1402	01	A	L=310
		8-98117-117-0		1403-	01	AB	
7		BOLT; BRKT, FLEX HOSE, AIR TANK 0-28650-830-0		1312-1402	02	A	
		0-28650-830-0		1403-	02	AB	M8X30 FLANGE
11		UNION; AIR PIPE 0-92125-206-0		1312-1402	01	A	M8X30 FLANGE
		0-92125-206-0		1403-	01	AB	M12 ELBOW
12		NUT; UNION 9-09840-280-0		1312-1402	01	A	M12 ELBOW
		9-09840-280-0		1403-	01	AB	(A) M12
		0-91111-512-0		1312-1402	01	A	(A) M12 EXC. PTO CONTROL<SV6>
		0-91111-512-0		1403-1405	01	A	(B) M12 EXC. PTO CONTROL<SV6>
		0-91111-512-0		1403-1405	01	B	(B) M12
		0-91111-512-0		1406-	01	A	(B) M12 MZW6P M/T(RSZ) EXC. PTO CONTROL<SV6>
		0-91111-512-0		1406-	01	A	(B) M12 ZF9S1110 DD M/T(Y5P)
		0-91111-512-0		1406-	01	B	(B) M12
13		WASHER; LK, UNION					(B) M12

3-70

## BRAKE PIPING; AIR, AIR MASTER

KEY	R / C	PART NAME PART NUMBER	I T C	APPLIED DATE	Qty	APPLIED MODEL	RESTRICTION/REMARKS
							A FVR WIDE CAB(FGR5MV) B GVR WIDE CAB(GGR5MV)
13		0-91510-812-0		1312-1402	01	A	
		0-91510-812-0		1403-	01	AB	ID=12.2
21		PIPE; AIR, UNION TO AIR DRYER 8-98247-240-0		1403-	01	B	ID=12.2
		8-98185-672-0		1312-	01	A	L=1368
32		SLEEVE; RUBBER, AIR PIPE 1-09337-023-0		1312-1402	01	A	L=1338 IDN
		1-09337-023-0		1403-	01	AB	ID=32 OD=36 L=50
35		NUT; BRKT 0-91180-108-0		1312-1402	02	A	ID=32 OD=36 L=50
		0-91180-108-0		1403-1405	02	A	EXC. PTO CONTROL<SV6> M8 FLANGE
		0-91180-108-0		1403-1405	02	B	EXC. PTO CONTROL<SV6> M8 FLANGE
		0-91180-108-0		1406-	02	A	M8 FLANGE MZW6P M/T(RSZ)
		0-91180-108-0		1406-	02	A	EXC. PTO CONTROL<SV6> M8 FLANGE
		0-91180-108-0		1406-	02	B	ZF9S1110 DD M/T(Y5P) M8 FLANGE
72		UNION; AIR PIPE 0-92113-006-0		1312-1402	01	A	M8 FLANGE
		0-92113-006-0		1403-	01	AB	M12 L=40
80		UNION; 3 WAY 1-09656-586-1		1403-	01	B	M12 L=40
123		BRACKET; UNION 8-98118-545-0		1312-1402	01	A	M12 & PT1/4 3WAY
		8-98118-545-0		1403-1405	01	A	EXC. PTO CONTROL<SV6>
		8-98118-545-0		1403-1405	01	B	EXC. PTO CONTROL<SV6>
		8-98118-545-0		1406-	01	A	MZW6P M/T(RSZ)
		8-98118-545-0		1406-	01	A	EXC. PTO CONTROL<SV6>
		8-98118-545-0		1406-	01	B	ZF9S1110 DD M/T(Y5P)
154		PIPE; AIR, AIR TANK TO AIR GOV 8-98178-053-0		1312-1402	01	A	IDN

3-70

## BRAKE PIPING; AIR,AIR MASTER

KEY	R / C	PART NAME PART NUMBER	I T C	APPLIED DATE	Qty	APPLIED MODEL	RESTRICTION/REMARKS
							A FVR WIDE CAB(FGR5MV) B GVR WIDE CAB(GGR5MV)
154		8-98178-053-0		1403-	01	AB	IDN
171		PIPE; AIR,GOV TO AIR DRYER 1-47428-809-0		1403-	01	B	L=566 SERVICED BY L=600
		1-47428-809-0		1312-	01	A	L=571 SERVICED BY L=600
176		PIPE; AIR,AIR DRYER TO UNION 1-47428-812-0		1403-	01	B	L=795 SERVICED BY L=800
		1-47428-814-0		1312-	01	A	L=978 SERVICED BY L=1000
184		HOSE; FLEX,AIR GOV 1-09363-624-0		1312-1402	01	A	L=350
		1-09363-624-0		1403-1405	01	AB	L=350
		1-09363-624-0		1406-	01	AB	L=350
202		ADAPTER 1-09661-379-0		1403-	01	B	DIN6 & M12 STRAIGHT
217		PIPE; VAC,UNION TO MAG VLV 1-47428-813-0		1403-	01	B	L=812 SERVICED BY L=900
		1-47428-811-0		1312-	01	A	L=651 SERVICED BY L=700
221		BOLT; BRKT 0-28650-835-0		1312-1402	02	A	EXC. PTO CONTROL<SV6> M8X35 FLANGE
		0-28650-835-0		1403-1405	02	A	EXC. PTO CONTROL<SV6> M8X35 FLANGE
		0-28650-835-0		1403-1405	02	B	M8X35 FLANGE
		0-28650-835-0		1406-	02	A	MZW6P M/T(RSZ) EXC. PTO CONTROL<SV6> M8X35 FLANGE
		0-28650-835-0		1406-	02	A	ZF9S1110 DD M/T(Y5P) M8X35 FLANGE
		0-28650-835-0		1406-	02	B	M8X35 FLANGE
224		PIPE; AIR,UNION TO FLEX HOSE					

11566 FVR/GVR(INDONESIA) 2014-

3-70

## BRAKE PIPING; AIR, AIR MASTER

KEY	R / C	PART NAME PART NUMBER	I T C	APPLIED DATE	Qty	APPLIED MODEL	RESTRICTION/REMARKS
							A FVR WIDE CAB(FGR5MV) B GVR WIDE CAB(GGR5MV)
224		1-47428-812-0		1312-1402	01	A	L=720 SERVICED BY L=800
		1-47428-812-0		1403-	01	AB	L=720 SERVICED BY L=800
229		ADAPTER; NYLON TUBE 1-09660-873-0		1312-1402	01	A	MZW6P M/T(RSZ) DIN8 & M12 STRAIGHT
		1-09660-873-0		1403-	01	A	MZW6P M/T(RSZ) DIN8 & M12 STRAIGHT
		1-09660-873-0		1403-	01	B	DIN8 & M12 STRAIGHT
273		GROMMET 9-09956-256-2		1403-	01	B	ID=28 OD=35 T=17
		1-09332-011-1		1312-	01	A	ID=28 OD=35 T=25
296		TUBE; NYLON 1-87411-006-0		1312-1402	01	A	SERVICED BY L=2000 OD=8
		1-87411-006-0		1403-1405	01	AB	SERVICED BY L=2000 OD=8
		1-87411-006-0		1406-	01	A	6HK1-TCN ENG(82L) SERVICED BY L=2000 OD=8
		1-87411-006-0		1406-	01	A	ZF9S1110 DD M/T(Y5P) PTO CONTROL<SV6> SERVICED BY L=2000 OD=8
		1-87411-006-0		1406-	01	B	SERVICED BY L=2000 OD=8
		1-87411-011-0		1312-1402	01	A	SERVICED BY L=2000 OD=12
		1-87411-011-0		1403-	01	AB	SERVICED BY L=2000 OD=12
297		TUBE; NYLON 1-87411-006-0		1312-1402	01	A	SERVICED BY L=2000 OD=8
		1-87411-006-0		1403-	01	AB	SERVICED BY L=2000 OD=8
305		UNION ASM; NYLON TUBE 8-98120-049-0		1312-1402	01	A	EXC. PTO CONTROL<SV6>
		8-98120-049-0		1403-1405	01	A	EXC. PTO CONTROL<SV6>
		8-98120-049-0		1403-1405	01	B	
		8-98120-049-0		1406-	01	A	MZW6P M/T(RSZ) EXC. PTO CONTROL<SV6>
		8-98120-049-0		1406-	01	A	ZF9S1110 DD M/T(Y5P)
367		TUBE; CORRUGATE 8-98120-049-0		1406-	01	B	

3-70

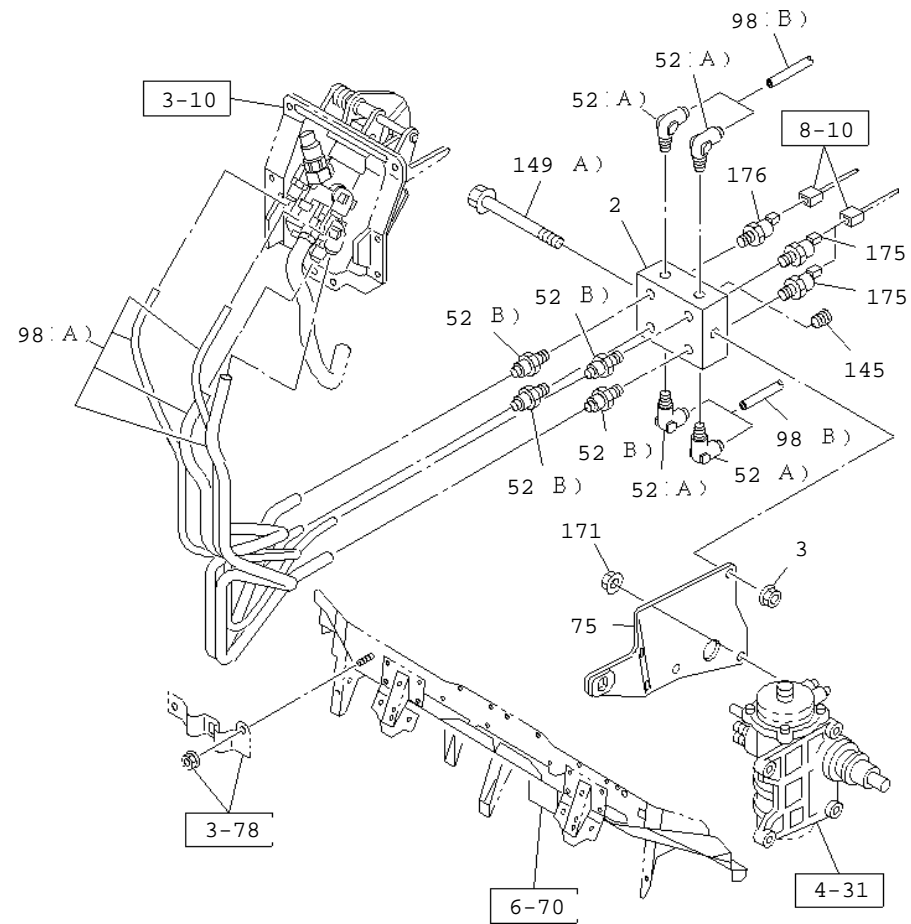
## BRAKE PIPING; AIR, AIR MASTER

KEY	R / C	PART NAME PART NUMBER	I T C	APPLIED DATE	Qty	APPLIED MODEL	RESTRICTION/REMARKS
							A FVR WIDE CAB(FGR5MV) B GVR WIDE CAB(GGR5MV)
367		1-87411-019-0		1312-1402	01	A	SERVICED BY L=2000 ID=10
		1-87411-019-0		1312-1402	01	A	SERVICED BY L=2000 ID=10
		1-87411-019-0		1403-1405	01	AB	SERVICED BY L=2000 ID=10
		1-87411-019-0		1403-1405	01	AB	SERVICED BY L=2000 ID=10
		1-87411-019-0		1406-	01	AB	SERVICED BY L=2000 ID=10
		1-87411-019-0		1406-	01	A	SERVICED BY L=2000 ID=10 6HK1-TCN ENG(82L)
		1-87411-019-0		1406-	01	A	SERVICED BY L=2000 ID=10 ZF9S1110 DD M/T(Y5P)
		1-87411-019-0		1406-	01	B	PTO CONTROL<SV6> SERVICED BY L=2000 ID=10
374		CONNECTOR 1-09650-430-0		1406-	01	A	SERVICED BY L=2000 ID=10 ZF9S1110 DD M/T(Y5P) (B) M12 & PT1/4 ELBOW
		1-09660-956-0		1403-	01	B	(B) DIN8 & R1/4 ELBOW
		8-98179-708-0		1312-1402	01	A	EXC. PTO CONTROL<SV6> (A)
		8-98179-708-0		1403-1405	01	A	EXC. PTO CONTROL<SV6> (A)
		8-98179-708-0		1403-1405	01	B	(A)
		8-98179-708-0		1406-	01	A	MZW6P M/T(RSZ) EXC. PTO CONTROL<SV6> (A)
		8-98179-708-0		1406-	01	A	ZF9S1110 DD M/T(Y5P) (A)
		8-98179-708-0		1406-	01	B	(A)
377		BOLT; BRKT FIX 0-28650-830-0		1312-1402	01	A	M8X30 FLANGE
		0-28650-830-0		1403-	01	AB	M8X30 FLANGE
428		NUT; BRKT 0-91180-108-0		1312-1402	01	A	M8 FLANGE
		0-91180-108-0		1403-	01	AB	M8 FLANGE
434		CLIP					M8 FLANGE

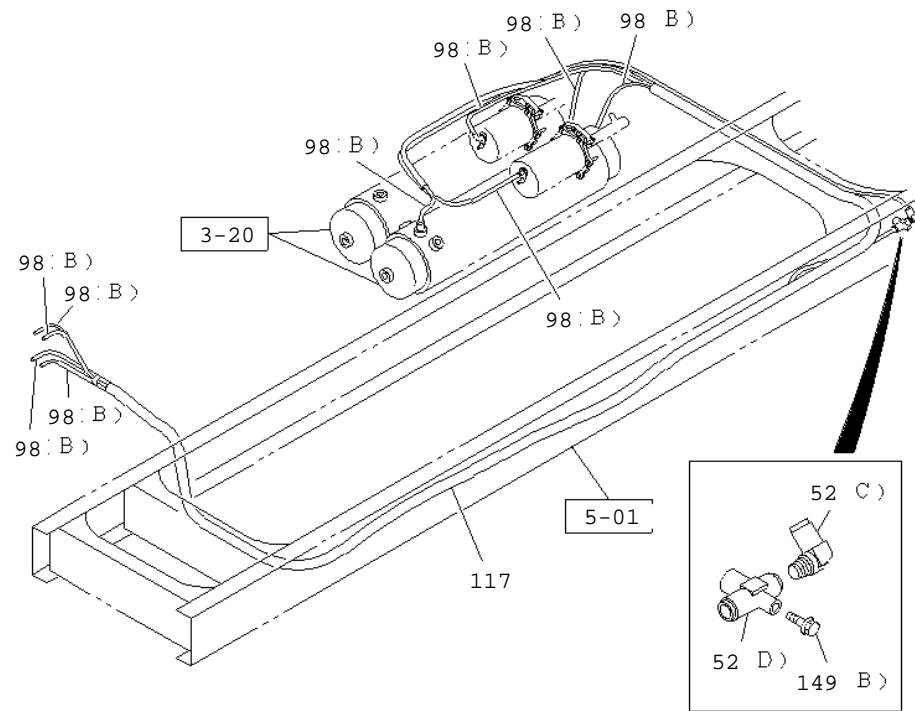
3-70

## BRAKE PIPING; AIR, AIR MASTER

KEY	R / C	PART NAME PART NUMBER	I T C	APPLIED DATE	Qty	APPLIED MODEL	RESTRICTION/REMARKS
							A FVR WIDE CAB(FGR5MV) B GVR WIDE CAB(GGR5MV)
434		1-09707-183-0		1406-	03	A	ZF9S1110 DD M/T(Y5P) PTO CONTROL<SV6> (C) L=350
		0-95235-556-0		1312-1402	01	A	(A) ID=16 L=28
		0-95235-556-0		1403-	01	AB	(A) ID=16 L=28
		1-09700-675-0		1312-1402	01	A	(B) ID=16 & 7 L=21 & 17
		1-09700-675-0		1403-	01	AB	(B) ID=16 & 7 L=21 & 17
435		BOLT; CLIP 0-28650-820-0		1312-1402	02	A	M8X20 FLANGE IDN
		0-28650-820-0		1403-	02	AB	M8X20 FLANGE IDN
436		NUT; CLIP 0-91180-108-0		1312-1402	02	A	M8 FLANGE
		0-91180-108-0		1403-	02	AB	M8 FLANGE
450		BRACKET; CLIP 1-47476-758-0		1312-1402	01	A	L=115 B=25
		1-47476-758-0		1403-	01	AB	L=115 B=25
465		PLUG 9-99204-513-0		1312-	01	A	EXC. PTO CONTROL<SV6> PT1/4
0-38		Move to 0-38					
1-55		Move to 1-55					
1-56		Move to 1-56					
2-05		Move to 2-05					
3-20		Move to 3-20					
3-22		Move to 3-22					
3-46		Move to 3-46					
3-78		Move to 3-78					
8-10		Move to 8-10					
5-01		Move to 5-01					







3-75

## BRAKE PIPING; AIR, FRONT

KEY	R / C	PART NAME PART NUMBER	I T C	APPLIED DATE	Qty	APPLIED MODEL	RESTRICTION/REMARKS
							A FVR WIDE CAB(FGR5MV) B GVR WIDE CAB(GGR5MV)
2		UNION; AIR PIPE 8-98057-394-1		1312-1402	01	A	
		8-98057-394-1		1403-	01	AB	
3		NUT; PIPE UNION 0-91180-108-0		1312-1402	01	A	
		0-91180-108-0		1403-	01	AB	M8 FLANGE
52		CONNECTOR; NYLON TUBE 1-09660-959-0		1403-	01	B	M8 FLANGE
		8-98142-232-0		1403-	01	B	(C) DIN12 & R3/8 ELBOW
		1-09660-958-0		1312-1402	04	A	(D)
		1-09660-958-0		1403-	04	AB	(A) DIN12 & R1/4 ELBOW
		1-09660-967-0		1312-1402	04	A	(A) DIN12 & R1/4 ELBOW
		1-09660-967-0		1403-	04	AB	(B) DIN12 & R1/4 STRAIGHT
75		BRACKET; UNION 8-98099-485-1		1312-1402	01	A	(B) DIN12 & R1/4 STRAIGHT
		8-98099-485-1		1403-	01	AB	
98		TUBE; NYLON 8-98139-141-0		1312-1402	01	A	(A) IDN
		8-98139-141-0		1403-	01	AB	(A) IDN
		1-87411-006-0		1312-	AR	AB	(B) SERVICED BY L=2000 OD=8
		1-87411-007-0		1312-	AR	AB	(B) SERVICED BY L=4000 OD=8
		1-87411-011-0		1312-	AR	AB	(B) SERVICED BY L=2000 OD=12
		1-87411-012-0		1312-	AR	AB	(B) SERVICED BY L=4000 OD=12

3-75

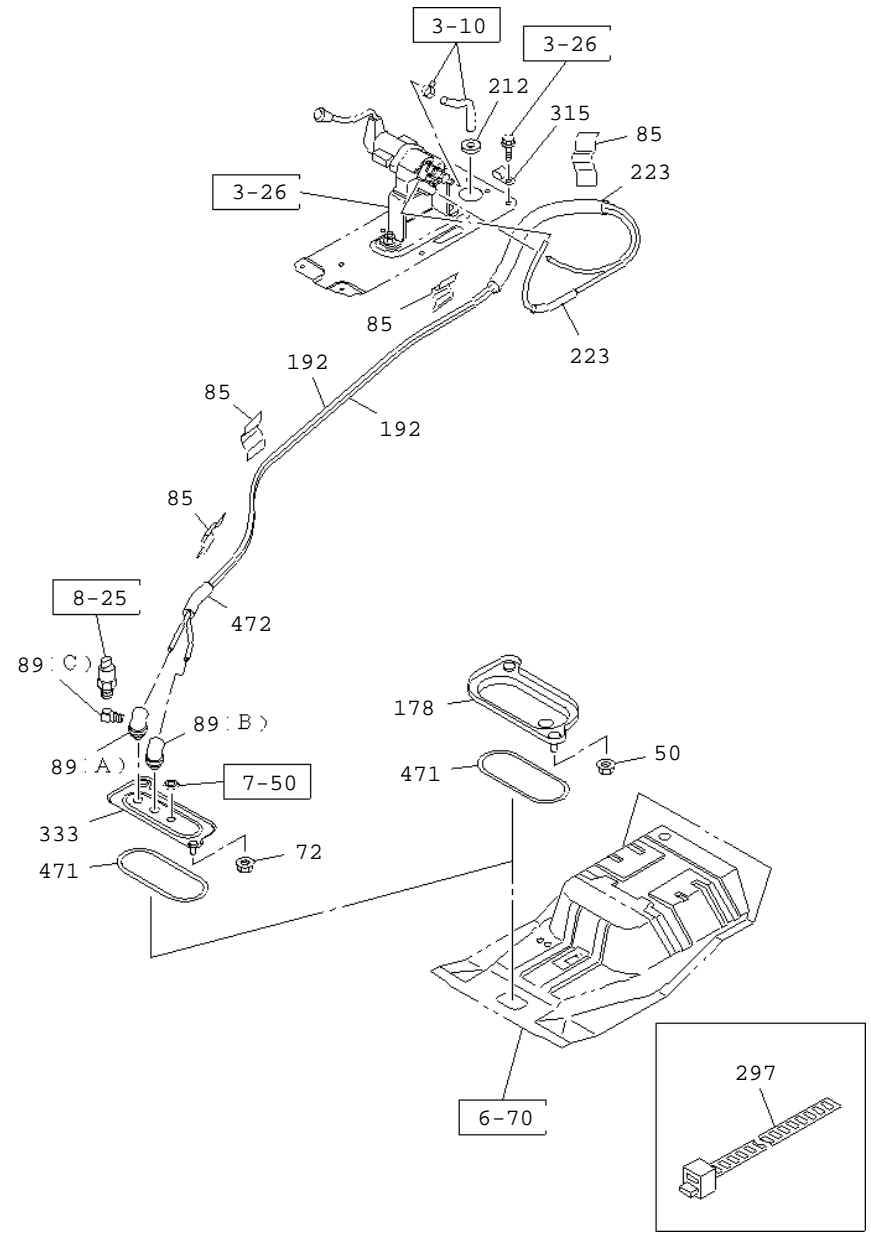
## BRAKE PIPING; AIR, FRONT

KEY	R / C	PART NAME PART NUMBER	I T C	APPLIED DATE	Qty	APPLIED MODEL	RESTRICTION/REMARKS
							A FVR WIDE CAB(FGR5MV) B GVR WIDE CAB(GGR5MV)
98		1-87411-013-0		1312-	AR	AB	(B) SERVICED BY L=6000 OD=12
		1-87411-014-0		1312-	AR	AB	(B) SERVICED BY L=8000 OD=12
117		TUBE; CORRUGATE 1-87411-019-0		1312-	AR	AB	SERVICED BY L=2000 ID=10
		1-87411-022-0		1312-	AR	AB	SERVICED BY L=2000 ID=13
		1-87411-033-0		1312-	AR	AB	SERVICED BY L=2000 ID=28
		1-87411-034-0		1312-	AR	AB	SERVICED BY L=4000 ID=28
		1-87411-035-0		1312-	AR	AB	SERVICED BY L=2000 ID=32
		1-87411-036-0		1312-	AR	AB	SERVICED BY L=4000 ID=32
145		PLUG 9-99204-513-0		1312-1402	01	A	PT1/4
		9-99204-513-0		1403-	01	AB	PT1/4
149		BOLT; UNION 0-28650-820-0		1403-	01	B	(B) M8X20 FLANGE IDN
		0-28050-800-0		1312-1402	01	A	(A) M8X100 FLANGE
		0-28050-800-0		1403-	01	AB	(A) M8X100 FLANGE
171		NUT; BRACKET 0-91180-210-0		1312-1402	02	A	M10 FLANGE
		0-91180-210-0		1403-	02	AB	M10 FLANGE
175		SENSOR; AIR PRESS 1-80220-023-1		1312-1402	02	A	
		1-80220-023-1		1403-	02	AB	
176		SWITCH; AIR PRESS 8-98010-857-0		1312-1402	01	A	
		8-98010-857-0		1403-	01	AB	
3-10		Move to 3-10					
3-78		Move to 3-78					

3-75

**BRAKE PIPING; AIR, FRONT**

KEY	R / C	PART NAME PART NUMBER	I T C	APPLIED DATE	Qty	APPLIED MODEL	RESTRICTION/REMARKS
							A FVR WIDE CAB(FGR5MV) B GVR WIDE CAB(GGR5MV)
4-31		Move to 4-31					
6-70		Move to 6-70					
8-10		Move to 8-10					
3-20		Move to 3-20					
5-01		Move to 5-01					



3-77

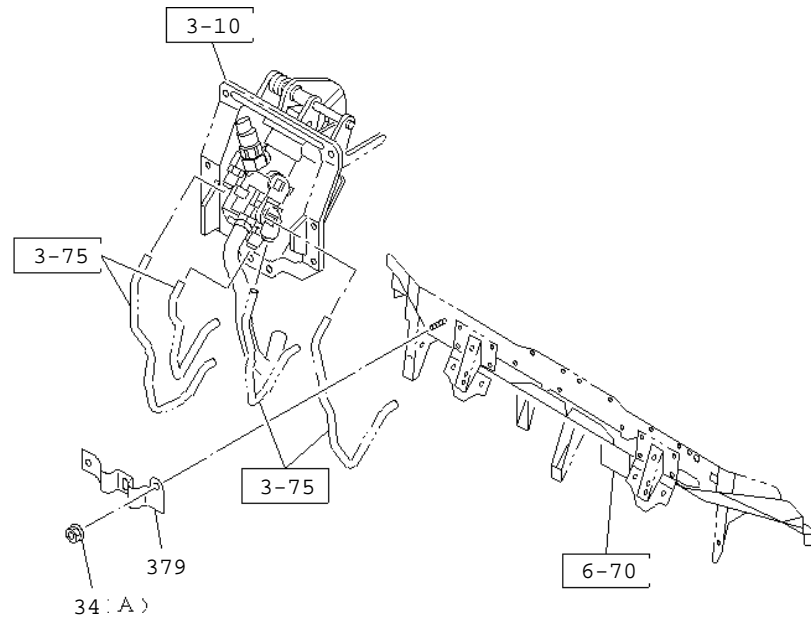
## BRAKE PIPING; AIR, REAR

KEY	R / C	PART NAME PART NUMBER	I T C	APPLIED DATE	Qty	APPLIED MODEL	RESTRICTION/REMARKS
							A FVR WIDE CAB(FGR5MV) B GVR WIDE CAB(GGR5MV)
50		NUT; UNION BRKT 0-91180-108-0		1312-	02	A	
72		NUT; BRKT 0-91180-108-0		1403-	02	B	M8 FLANGE
85		GASKET; NYLON TUBE 1-72498-019-1		1403-	03	B	M8 FLANGE
		1-72498-022-1		1403-	02	B	180X40
89		CONNECTOR; NYLON TUBE 1-09660-693-0		1403-	01	B	100X40
		8-97611-963-1		1403-	01	B	(C) PT1/4 2WAY
		8-97611-979-1		1403-	01	B	(B)
178		BRACKET; UNION 8-98017-052-1		1312-	01	A	(A)
192		TUBE; NYLON 1-87411-006-0		1403-	02	B	
212		GROMMET; AIR PIPE 9-61166-007-0		1403-	01	B	SERVICED BY L=2000 OD=8
223		TUBE; CORRUGATE 1-87411-019-0		1403-	01	B	OD=24
		1-87411-027-0		1403-	01	B	SERVICED BY L=2000 ID=10
297		CLIP; BAND 1-09707-183-0		1312-1402	03	A	SERVICED BY L=2000 ID=19
		1-09707-183-0		1403-	03	AB	L=350
315		CLIP 0-95324-825-0		1403-	01	B	L=350
333		BRACKET; CONNECTOR 8-98017-054-1		1403-	01	B	ID=9X2 L=16
471		SEAL; BRKT 1-79738-832-0		1312-1402	01	A	
		1-79738-832-0		1403-	01	AB	
472		TUBE; SPUTTER 8-98067-708-0		1403-	01	B	
3-10		Move to 3-10					

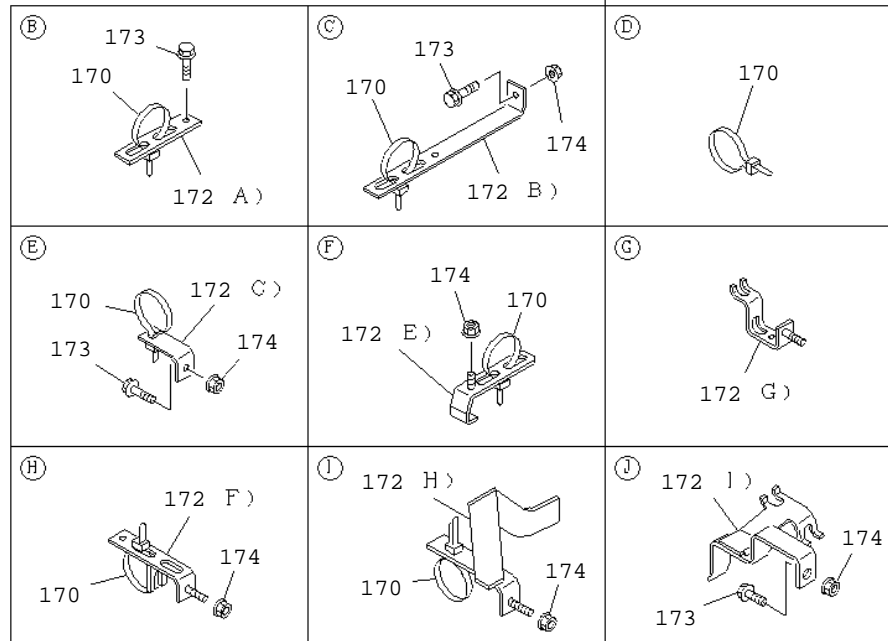
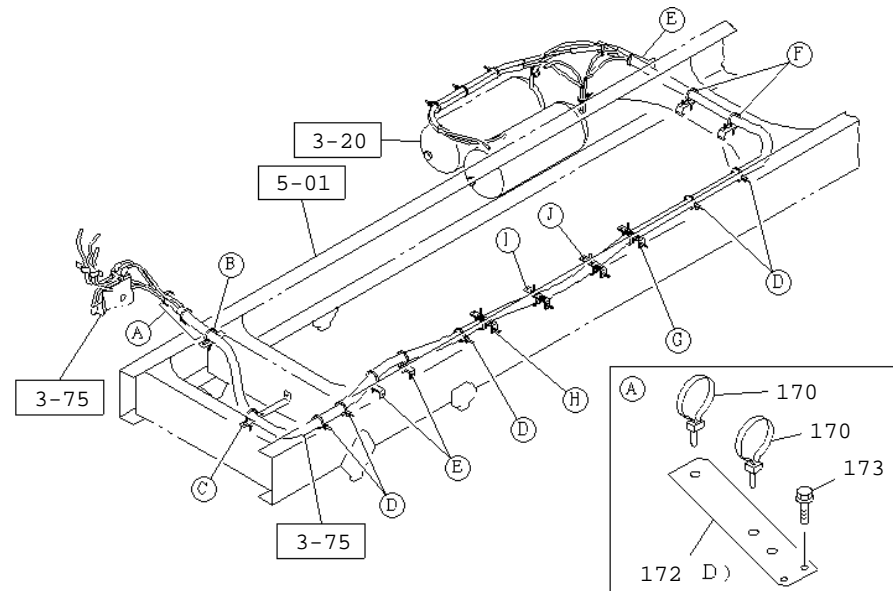
3-77

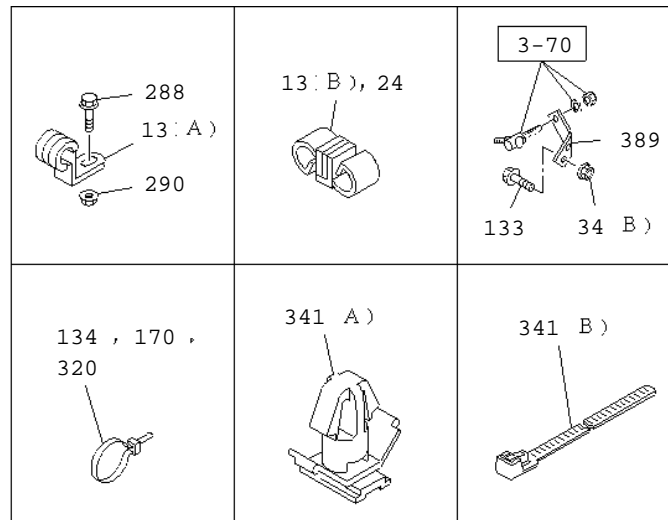
**BRAKE PIPING; AIR, REAR**

KEY	R / C	PART NAME PART NUMBER	I T C	APPLIED DATE	Qty	APPLIED MODEL	RESTRICTION/REMARKS
							A FVR WIDE CAB (FGR5MV) B GVR WIDE CAB (GGR5MV)
3-26		Move to 3-26					
6-70		Move to 6-70					
7-50		Move to 7-50					
8-25		Move to 8-25					









3-78

## FIXING PARTS; AIR PIPING

KEY	R / C	PART NAME PART NUMBER	I T C	APPLIED DATE	Qty	APPLIED MODEL	RESTRICTION/REMARKS
							A FVR WIDE CAB(FGR5MV) B GVR WIDE CAB(GGR5MV)
13		CLIP; AIR PIPE 1-09709-274-1		1403-1405	01	B	(B) ID=6.35 & 10.0
		1-09709-274-1		1406-	01	A	ZF9S1110 DD M/T(Y5P) (B) ID=6.35 & 10.0
		1-09709-274-1		1406-	01	B	(B) ID=6.35 & 10.0
		1-09709-276-1		1403-	01	B	(B) ID=6.35 & 10.0
		1-09700-603-0		1312-1402	01	A	(A) ID=6 H=20 L=20
		1-09700-603-0		1403-	01	AB	(A) ID=6 H=20 L=20
		1-09701-247-1		1312-1402	01	A	(B) ID=6.35
		1-09701-247-1		1403-	01	AB	(B) ID=6.35
	24		CLIP; PIPE 1-09709-275-1		1312-1402	01	A
		1-09709-275-1		1403-	01	AB	ID=6.35 & 12.2
		1-09709-276-1		1312-1402	03	A	ID=6.35 & 15
		1-09709-276-1		1403-	03	AB	ID=6.35 & 15
							ID=6.35 & 15
34		NUT; BRKT 0-91180-106-0		1312-1402	02	A	(A) M6 FLANGE
		0-91180-106-0		1403-	02	AB	(A) M6 FLANGE
		0-91180-108-0		1312-1402	02	A	(B) M8 FLANGE
		0-91180-108-0		1403-	02	AB	(B) M8 FLANGE
133		BOLT; BRKT					

3-78

## FIXING PARTS; AIR PIPING

KEY	R / C	PART NAME PART NUMBER	I T C	APPLIED DATE	Qty	APPLIED MODEL	RESTRICTION/REMARKS
							A FVR WIDE CAB(FGR5MV) B GVR WIDE CAB(GGR5MV)
133		0-28650-820-0		1312-1402	02	A	M8X20 FLANGE IDN
		0-28650-820-0		1403-	02	AB	M8X20 FLANGE IDN
134		CLIP; AIR PIPE 1-09707-183-0		1312-1402	01	A	L=350
		1-09707-183-0		1403-	01	AB	L=350
170		CLIP; NYLON TUBE 1-09707-183-0		1403-	27	B	L=350
		1-09707-183-0		1312-	26	A	L=350
172		BRACKET; TUBE CLIP 8-98177-873-0		1403-1405	04	B	(F)
		8-98177-873-0		1406-	04	A	6HK1-TCS ENG(80L) (F)
		8-98177-873-0		1406-	04	B	(F)
		1-47477-514-3		1312-1402	01	A	(A)
		1-47477-514-3		1403-	01	AB	(A)
		1-47477-646-3		1312-1402	01	A	(B) L=225
		1-47477-646-3		1403-	01	AB	(B) L=225
		1-47477-716-1		1312-1402	03	A	(C) L=60 H=30
		1-47477-716-1		1403-	03	AB	(C) L=60 H=30
		8-98031-420-2		1312-1402	01	A	(D)
		8-98031-420-2		1403-	01	AB	(D)
		8-98047-730-0		1312-1402	02	A	(E)
		8-98047-730-0		1403-	02	AB	(E)

3-78

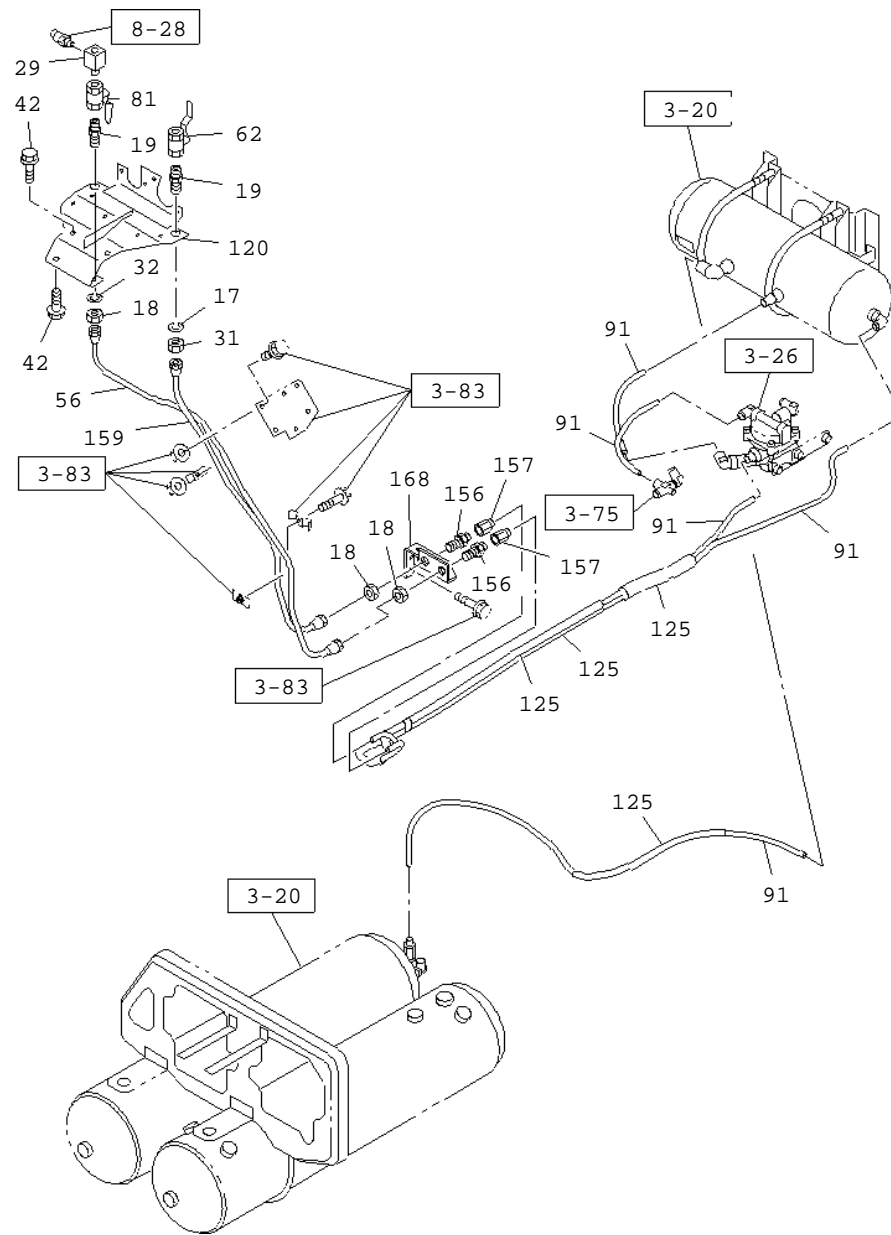
## FIXING PARTS; AIR PIPING

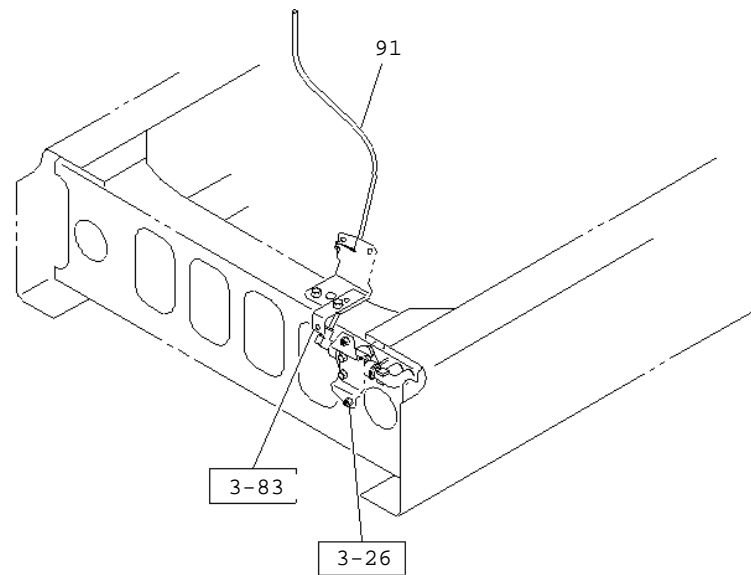
KEY	R / C	PART NAME PART NUMBER	I T C	APPLIED DATE	Qty	APPLIED MODEL	RESTRICTION/REMARKS
							A FVR WIDE CAB(FGR5MV) B GVR WIDE CAB(GGR5MV)
172		8-98169-222-0		1312-	01	A	6HK1-TCN ENG(82L)
		8-98177-873-0		1312-	01	A	(G) 6HK1-TCN ENG(82L)
		8-98182-331-0		1312-	01	A	(F) 6HK1-TCN ENG(82L)
		8-98182-760-0		1312-	01	A	(H) 6HK1-TCN ENG(82L)
173		BOLT; CLIP BRKT 0-28650-830-0		1403-1405	03	B	(I)  M8X30 FLANGE
		0-28650-830-0		1406-	03	A	6HK1-TCS ENG(80L)
		0-28650-830-0		1406-	03	B	M8X30 FLANGE
		0-28650-820-0		1312-1402	02	A	M8X30 FLANGE
		0-28650-820-0		1403-	02	AB	M8X20 FLANGE IDN
		0-28650-825-0		1312-1402	02	A	M8X20 FLANGE IDN
		0-28650-825-0		1403-	02	AB	M8X25 FLANGE IDN
		0-28650-830-0		1312-	04	A	M8X25 FLANGE IDN 6HK1-TCN ENG(82L)
174		NUT; CLIP BRKT 0-91180-108-0		1312-1402	10	A	M8X30 FLANGE
		0-91180-108-0		1403-	10	AB	M8 FLANGE
288		BOLT; CLIP,AIR PIPE 0-28650-820-0		1312-1402	01	A	M8 FLANGE
		0-28650-820-0		1403-	01	AB	M8X20 FLANGE IDN
290		NUT; CLIP,AIR PIPE 0-91180-108-0		1312-1402	01	A	M8X20 FLANGE IDN
		0-91180-108-0		1403-	01	AB	M8 FLANGE
320		CLIP; BAND,FLEX FIX					M8 FLANGE

3-78

## FIXING PARTS; AIR PIPING

KEY	R / C	PART NAME PART NUMBER	I T C	APPLIED DATE	Qty	APPLIED MODEL	RESTRICTION/REMARKS
							A FVR WIDE CAB(FGR5MV) B GVR WIDE CAB(GGR5MV)
320		5-09707-030-1		1312-1402	01	A	L=250 IDN
		5-09707-030-1		1403-	01	AB	L=250 IDN
341		CLIP; HARNESS 5-09707-030-1		1403-	03	B	(B) L=250 IDN
		1-09709-178-0		1312-1402	01	A	(A) OD=9 H=6
		1-09709-178-0		1403-	01	AB	(A) OD=9 H=6
		5-09707-030-1		1312-	02	A	(B) L=250 IDN
379		BRACKET; NYLON TUBE 8-98044-013-0		1312-1402	01	A	
		8-98044-013-0		1403-	01	AB	
389		BRACKET; UNION 1-47471-363-0		1312-1402	01	A	
		1-47471-363-0		1403-	01	AB	
3-10		Move to 3-10					
3-75		Move to 3-75					
6-70		Move to 6-70					
3-20		Move to 3-20					
5-01		Move to 5-01					
3-70		Move to 3-70					







3-80

## BRAKE PIPING; TRAILER

KEY	R / C	PART NAME PART NUMBER	I T C	APPLIED DATE	Qty	APPLIED MODEL	RESTRICTION/REMARKS
							A FVR WIDE CAB(FGR5MV) B GVR WIDE CAB(GGR5MV)
17		WASHER; LK,UNION 0-91510-520-0		1403-	01	B	ID=20.2
18		NUT; UNION 0-91111-520-0		1403-	03	B	M20
19		UNION; AIR PIPE 1-09650-236-1		1403-	02	B	
29		CONNECTOR; COCK 1-09664-041-1		1403-	01	B	PT1/2
31		NUT; UNION 0-91111-520-0		1403-	01	B	M20
32		WASHER; LK,UNION 0-91510-520-0		1403-	01	B	ID=20.2
42		BOLT; BRKT 0-28651-025-0		1403-	04	B	M10X25 FLANGE IDN
56		PIPE; AIR,UNION TO COCK 1-49115-484-0		1403-	01	B	L=817 SERVICED BY L=900
62		COCK; AIR PIPE 1-09680-093-0		1403-	01	B	YELLOW
81		COCK; AIR COUPLING 1-09680-091-0		1403-	01	B	RED
91		TUBE; NYLON 1-87411-006-0		1403-	01	B	SERVICED BY L=2000 OD=8
		1-87411-011-0		1403-	01	B	SERVICED BY L=2000 OD=12
		1-87411-011-0		1403-	04	B	SERVICED BY L=2000 OD=12
120		BRACKET; COCK 8-98250-440-1		1403-	01	B	
125		TUBE; CORRUGATE 1-87411-022-0		1403-	03	B	SERVICED BY L=2000 ID=13
		1-87411-031-0		1403-	01	B	SERVICED BY L=2000 ID=25
156		UNION 0-92123-312-0		1403-	02	B	M20 & M20

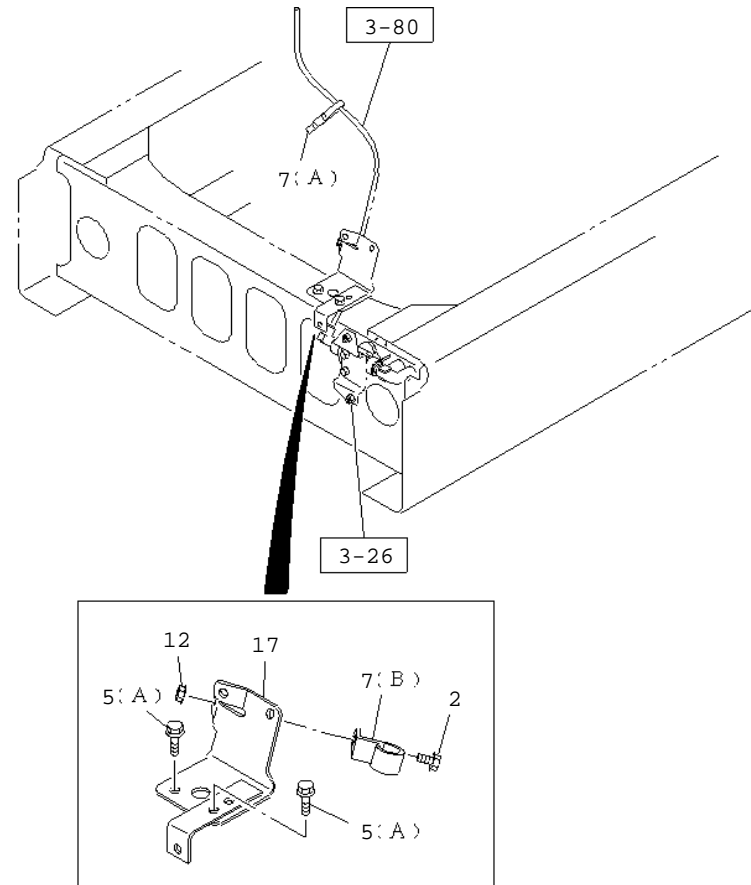
11566 FVR/GVR(INDONESIA) 2014-

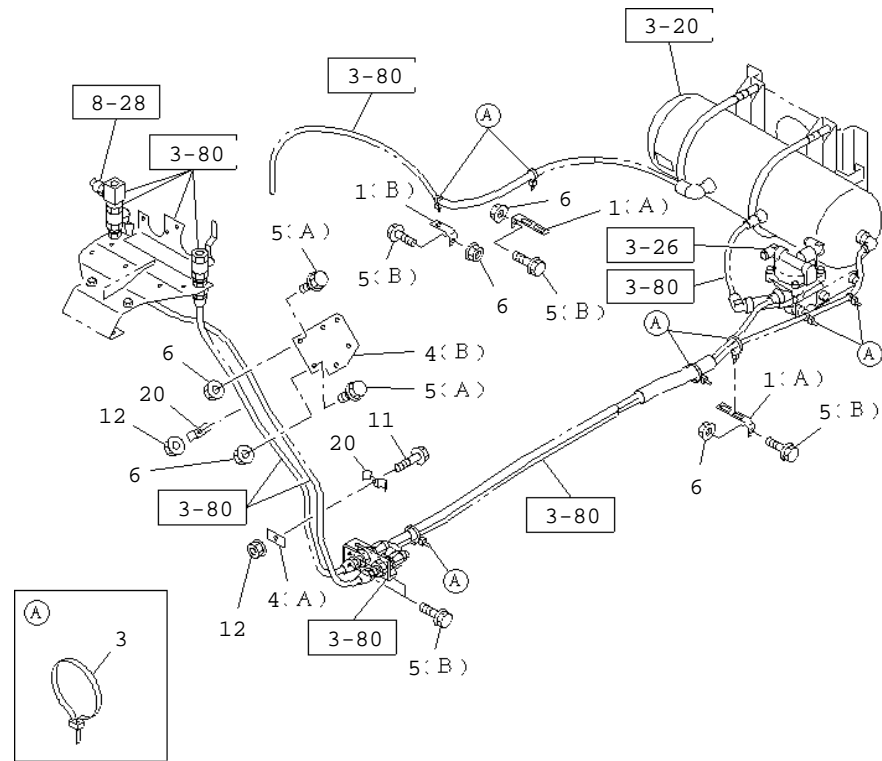
3-80

## BRAKE PIPING; TRAILER

KEY	R / C	PART NAME PART NUMBER	I T C	APPLIED DATE	Qty	APPLIED MODEL	RESTRICTION/REMARKS
							A FVR WIDE CAB(FGR5MV) B GVR WIDE CAB(GGR5MV)
157		ADAPTER 1-09660-877-0		1403-	02	B	DIN12 & M20 STRAIGHT  L=1105 SERVICED BY L=1200
159		PIPE; AIR, UNION TO CONNECTOR 1-49115-487-0		1403-	01	B	
168		BRACKET; UNION 8-98250-432-1		1403-	01	B	
3-20		Move to 3-20					
3-26		Move to 3-26					
3-75		Move to 3-75					
3-83		Move to 3-83					
8-28		Move to 8-28					

11566 FVR/GVR (INDONESIA) 2014-





3-83

## FIXING PARTS; TRAILER PIPING

KEY	R / C	PART NAME PART NUMBER	I T C	APPLIED DATE	Qty	APPLIED MODEL	RESTRICTION/REMARKS
							A FVR WIDE CAB(FGR5MV) B GVR WIDE CAB(GGR5MV)
1		BRACKET; CLIP 1-47477-645-2		1403-	02	B	(A) L=100 H=30
		1-47477-716-1		1403-	01	B	(B) L=60 H=30
2		BOLT; CLIP 0-28650-820-0		1403-	01	B	M8X20 FLANGE IDN
3		CLIP; AIR PIPE 1-09707-183-0		1403-	09	B	L=350
4		BRACKET; AIR PIPE 1-47475-299-2		1403-	01	B	(A) L=50
		8-98141-100-0		1403-	01	B	(B)
5		BOLT; BRKT 0-28650-825-0		1403-	04	B	(A) M8X25 FLANGE IDN
		0-28650-830-0		1403-	02	B	(B) M8X30 FLANGE
		0-28650-830-0		1403-	03	B	(B) M8X30 FLANGE
6		NUT; BRKT 0-91180-108-0		1403-	02	B	M8 FLANGE
		0-91180-108-0		1403-	03	B	M8 FLANGE
7		CLIP; NYLON TUBE 1-09707-183-0		1403-	01	B	(A) L=350
		8-94176-806-0		1403-	01	B	(B) ID=21 H=25.5 L=26
11		BOLT; CLIP 0-28050-820-0		1403-	01	B	M8X20 FLANGE
12		NUT; CLIP					

3-83

## FIXING PARTS; TRAILER PIPING

KEY	R / C	PART NAME PART NUMBER	I T C	APPLIED DATE	Qty	APPLIED MODEL	RESTRICTION/REMARKS
							A FVR WIDE CAB(FGR5MV) B GVR WIDE CAB(GGR5MV)
12		0-91180-108-0		1403-	03	B	M8 FLANGE
17		BRACKET; CLIP 8-98106-046-0		1403-	01	B	
20		CLIP; AIR PIPE 1-09700-689-0		1403-	02	B	
3-26		Move to 3-26					ID=13 & 13 L=21.5 & 21.5
3-80		Move to 3-80					
3-20		Move to 3-20					
8-28		Move to 8-28					

11566 FVR/GVR(INDONESIA) 2014-