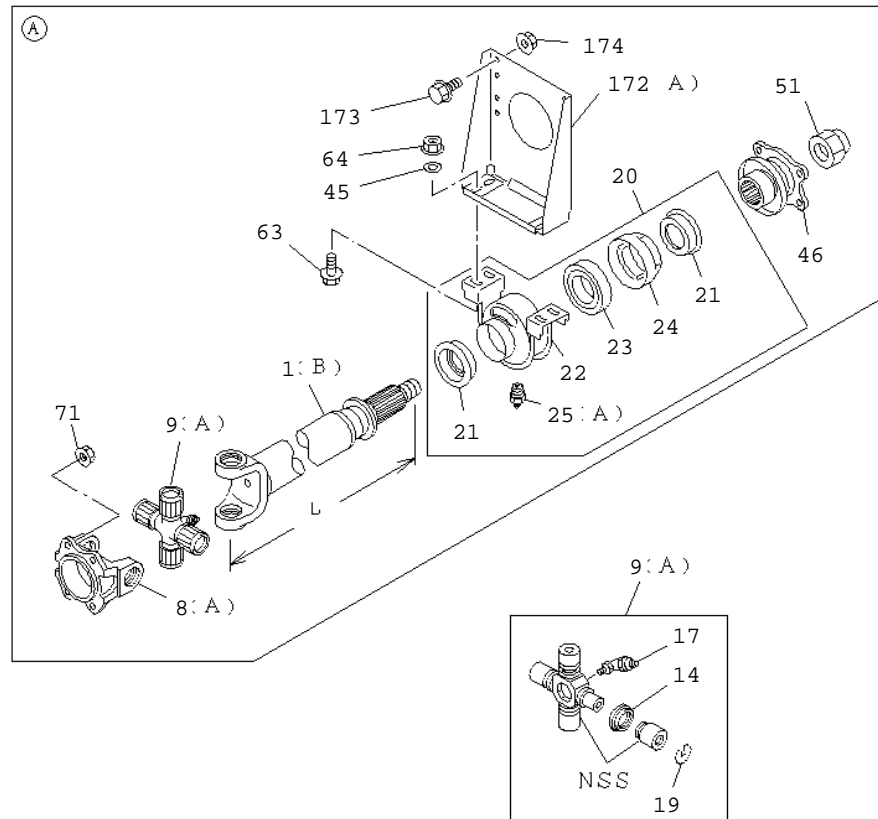
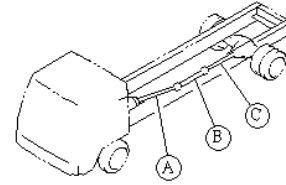
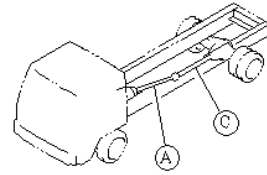


4-01 PROPELLER SHAFT

FVR;1ST SHAFT,P46 PROP SHAFT

WHEEL BASE 4200, 5000MM

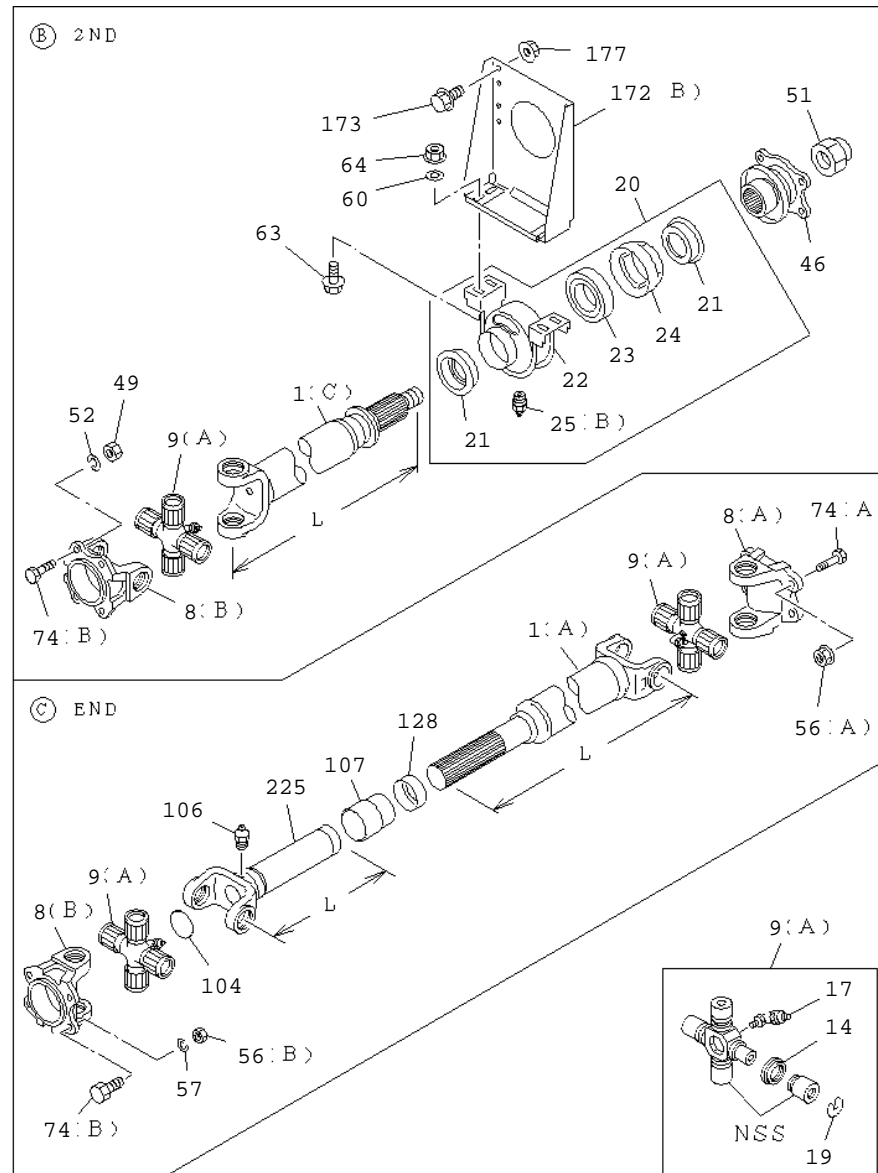
WHEEL BASE 6000MM



4-01

PROPELLER SHAFT

FVR; 2ND AND END SHAFT, P46 PROP SHAFT

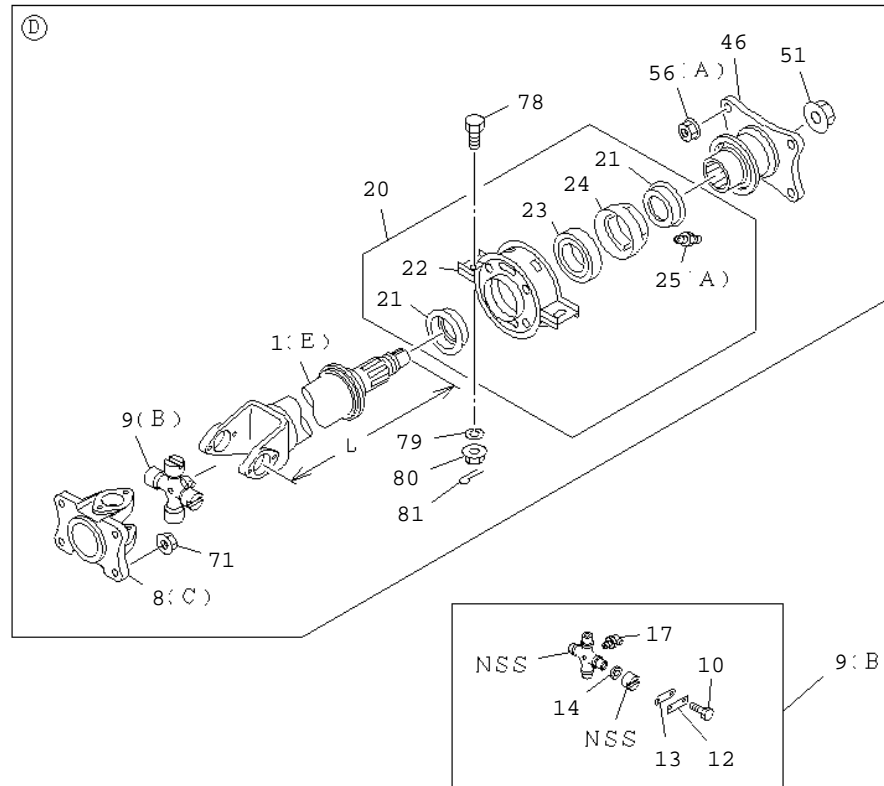
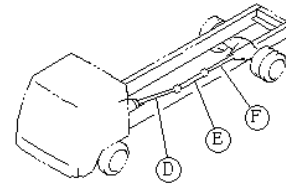
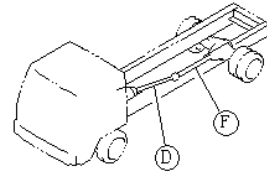


4-01 PROPELLER SHAFT

FVR;1ST SHAFT,P90 PROP SHAFT

WHEEL BASE 5000MM

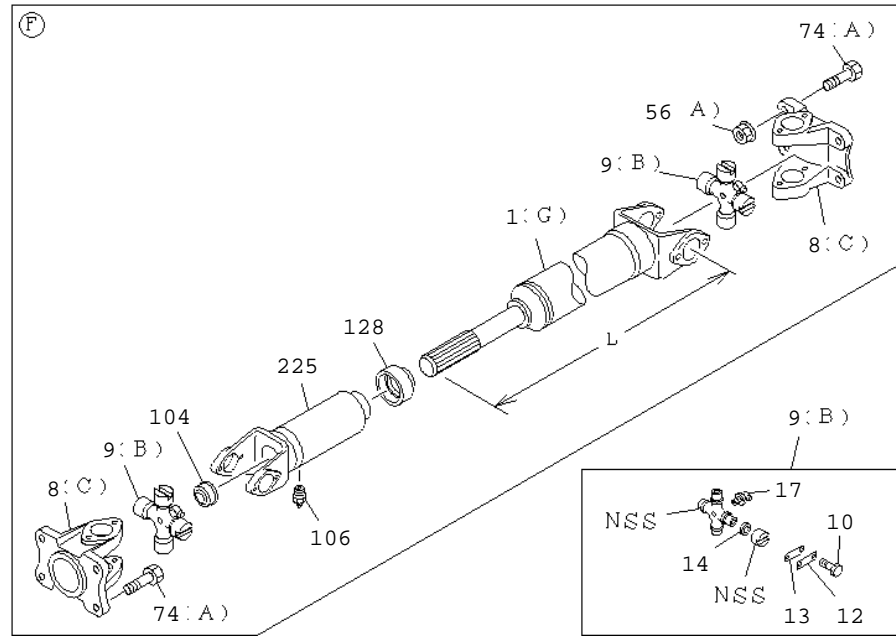
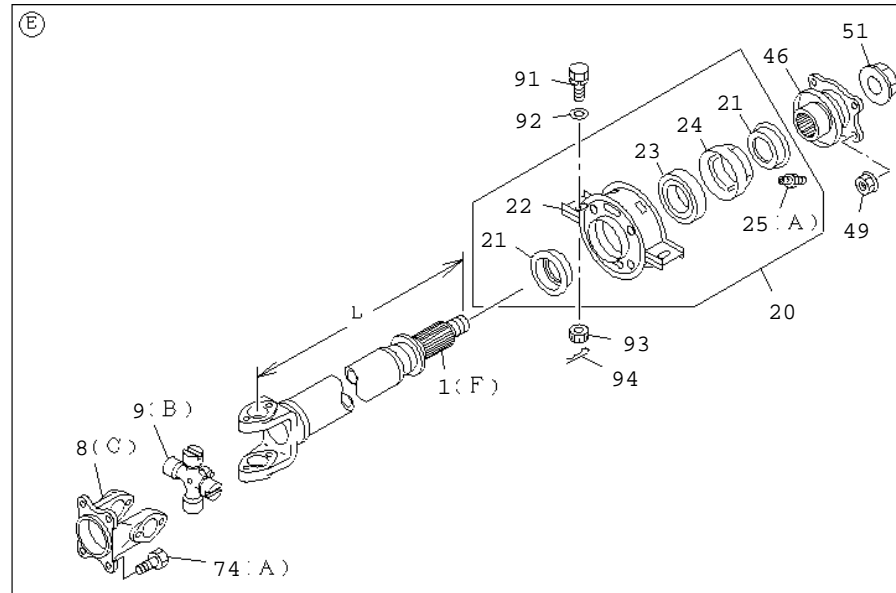
WHEEL BASE 6000MM



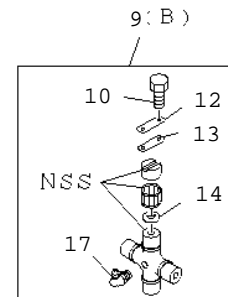
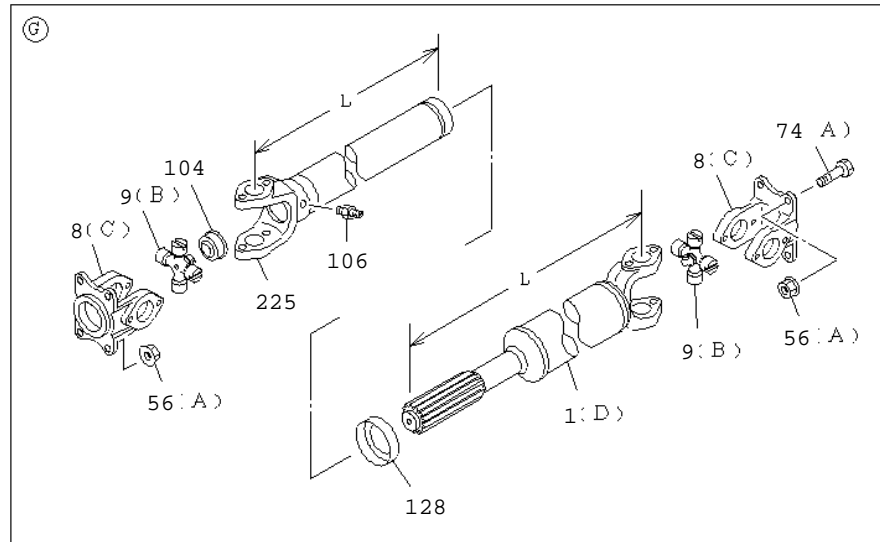
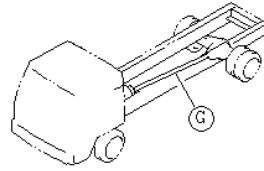
4-01

PROPELLER SHAFT

FVR; 2ND AND END SHAFT, P90 PROP SHAFT



WHEEL BASE 3400MM



4-01

PROPELLER SHAFT

KEY	R / C	PART NAME PART NUMBER	I T C	APPLIED DATE	Qty	APPLIED MODEL	RESTRICTION/REMARKS
							A WHEEL BASE 4200MM(42W) B WHEEL BASE 5000MM(50W) C WHEEL BASE 6000MM(60W) D WHEEL BASE 3400MM(34W)
1		SHAFT; PROP					
		1-37123-851-0		1406-	01	B	P90 PROP SHAFT<C5T> (G)
		8-98269-383-0		1406-	01	B	P90 PROP SHAFT<C5T> (E)
		1-37124-101-0		1406-	01	C	P90 PROP SHAFT<C5T> (G) L=1227
		8-98269-384-0		1406-	01	C	P90 PROP SHAFT<C5T> (E)
		8-98269-385-0		1406-	01	C	P90 PROP SHAFT<C5T> (F)
		1-37124-081-0		1403-	01	D	(D) L=1117
		1-37124-342-1		1312-	01	A	(A) L=1176
		8-98069-584-0		1312-	01	A	(B) L=849
		8-98090-933-0		1312-1405	01	B	(B) L=1504
		8-98090-933-0		1406-	01	B	P46 PROP SHAFT<C4Z> (B) L=1504
		1-37124-249-1		1312-1405	01	BC	(A) L=1281
		1-37124-249-1		1406-	01	BC	P46 PROP SHAFT<C4Z> (A) L=1281
		8-98069-590-0		1312-1405	01	C	(C) L=1234
		8-98069-590-0		1406-	01	C	P46 PROP SHAFT<C4Z> (C) L=1234
		8-98090-948-0		1312-1405	01	C	(B) L=1219
		8-98090-948-0		1406-	01	C	P46 PROP SHAFT<C4Z> (B) L=1219
8		YOKE; FLANGE,PROP SHAFT					

4-01

PROPELLER SHAFT

KEY	R / C	PART NAME PART NUMBER	I T C	APPLIED DATE	Qty	APPLIED MODEL	RESTRICTION/REMARKS
							A WHEEL BASE 4200MM(42W) B WHEEL BASE 5000MM(50W) C WHEEL BASE 6000MM(60W) D WHEEL BASE 3400MM(34W)
8		1-37211-066-1		1406-	03	B	P90 PROP SHAFT<C5T> (C)
		1-37211-066-1		1406-	04	C	P90 PROP SHAFT<C5T> (C)
		1-37211-066-1		1403-	02	D	(C)
		8-98178-052-0		1312-	02	A	(A)
		1-37211-056-3		1312-1405	01	ABC	(B)
		1-37211-056-3		1312-1405	01	C	(B)
		1-37211-056-3		1406-	01	ABC	P46 PROP SHAFT<C4Z> (B)
		1-37211-056-3		1406-	01	C	P46 PROP SHAFT<C4Z> (B)
		8-98178-052-0		1312-1405	01	BC	(A)
		8-98178-052-0		1312-1405	01	BC	(A)
		8-98178-052-0		1406-	01	BC	P46 PROP SHAFT<C4Z> (A)
		8-98178-052-0		1406-	01	BC	P46 PROP SHAFT<C4Z> (A)
9	D	JOURNAL ASM; PROP SHAFT 1-37300-091-1		1403-1405	AR	D	(B)
		1-37300-091-1		1406-	AR	BC	P90 PROP SHAFT<C5T> (B)
		1-37300-091-1		1406-	AR	D	(B)
		8-98048-925-0		1312-1405	AR	ABC	(A)
		8-98048-925-0		1312-1405	AR	BC	(A)
		8-98048-925-0		1406-	AR	ABC	P46 PROP SHAFT<C4Z> (A)
		8-98048-925-0		1406-	AR	BC	P46 PROP SHAFT<C4Z> (A)
		8-98048-925-0		1312-1405	01	C	(A)
		8-98048-925-0		1406-	01	C	P46 PROP SHAFT<C4Z> (A)
10		BOLT; UJT 0-20951-020-0		1406-	24	B	P90 PROP SHAFT<C5T> M10X20

4-01

PROPELLER SHAFT

KEY	R / C	PART NAME PART NUMBER	I T C	APPLIED DATE	Qty	APPLIED MODEL	RESTRICTION/REMARKS
							A WHEEL BASE 4200MM(42W) B WHEEL BASE 5000MM(50W) C WHEEL BASE 6000MM(60W) D WHEEL BASE 3400MM(34W)
10		0-20951-020-0		1406-	32	C	P90 PROP SHAFT<C5T> M10X20
		0-20951-020-0		1403-	16	D	M10X20
12		PLATE; LK,FRT UJT,PROP SHAFT 1-37356-008-0		1406-	08	B	P90 PROP SHAFT<C5T>
		1-37356-008-0		1406-	12	C	P90 PROP SHAFT<C5T>
		1-37356-008-0		1403-	04	D	
13		COVER; FRT UJT,PROP SHAFT 1-37355-020-0		1406-	08	B	P90 PROP SHAFT<C5T>
		1-37355-020-0		1406-	12	C	P90 PROP SHAFT<C5T>
		1-37355-020-0		1403-	04	D	
14		COVER; DUST, SPIDER 1-37249-131-0		1406-	12	B	P90 PROP SHAFT<C5T>
		1-37249-131-0		1406-	16	C	P90 PROP SHAFT<C5T>
		1-37249-131-0		1403-	08	D	
		8-98020-800-0		1312-	12	A	
		8-98020-800-0		1312-1405	08	BC	
		8-98020-800-0		1406-	08	BC	P46 PROP SHAFT<C4Z>
		8-98020-800-0		1312-1405	04	BC	
		8-98020-800-0		1312-1405	04	C	
		8-98020-800-0		1406-	04	BC	P46 PROP SHAFT<C4Z>
		8-98020-800-0		1406-	04	C	P46 PROP SHAFT<C4Z>
17		NIPPLE; GREASE,PROP SHAFT 0-90301-510-0		1406-	03	B	P90 PROP SHAFT<C5T> PT1/8 ELBOW 67.5 DEGREES
		0-90301-510-0		1406-	04	C	P90 PROP SHAFT<C5T> PT1/8 ELBOW 67.5 DEGREES
		0-90301-510-0		1403-	02	D	
		0-90301-610-0		1312-	03	A	PT1/8 ELBOW 67.5 DEGREES
		0-90301-610-0		1312-1405	02	BC	PT1/8 ELBOW
		0-90301-610-0		1406-	02	BC	PT1/8 ELBOW P46 PROP SHAFT<C4Z>
		0-90301-610-0		1312-1405	01	BC	PT1/8 ELBOW
		0-90301-610-0		1312-1405	01	C	PT1/8 ELBOW
		0-90301-610-0		1406-	01	BC	PT1/8 ELBOW P46 PROP SHAFT<C4Z>
		0-90301-610-0		1406-	01	C	PT1/8 ELBOW P46 PROP SHAFT<C4Z>
19		RING; SNAP, JOURNAL, PROP SHAFT, 1ST					PT1/8 ELBOW

4-01

PROPELLER SHAFT

KEY	R / C	PART NAME PART NUMBER	I T C	APPLIED DATE	Qty	APPLIED MODEL	RESTRICTION/REMARKS
							A WHEEL BASE 4200MM(42W) B WHEEL BASE 5000MM(50W) C WHEEL BASE 6000MM(60W) D WHEEL BASE 3400MM(34W)
19		1-09587-086-0		1312-	12	A	OD=45.5 T=1.95 BLUE
		1-09587-087-2		1312-	12	A	OD=45.5 T=2.00 WHITE
		1-09587-088-1		1312-	12	A	OD=45.5 T=2.05 YELLOW
		1-09587-086-0		1312-1405	08	BC	OD=45.5 T=1.95 BLUE
		1-09587-086-0		1406-	08	BC	P46 PROP SHAFT<C4Z> OD=45.5 T=1.95 BLUE
		1-09587-086-0		1312-1405	04	BC	OD=45.5 T=1.95 BLUE
		1-09587-086-0		1312-1405	04	C	OD=45.5 T=1.95 BLUE
		1-09587-086-0		1406-	04	BC	P46 PROP SHAFT<C4Z> OD=45.5 T=1.95 BLUE
		1-09587-086-0		1406-	04	C	P46 PROP SHAFT<C4Z> OD=45.5 T=1.95 BLUE
		1-09587-087-2		1312-1405	08	BC	OD=45.5 T=2.00 WHITE
		1-09587-087-2		1406-	08	BC	P46 PROP SHAFT<C4Z> OD=45.5 T=2.00 WHITE
		1-09587-087-2		1312-1405	04	BC	OD=45.5 T=2.00 WHITE
		1-09587-087-2		1312-1405	04	C	OD=45.5 T=2.00 WHITE
		1-09587-087-2		1406-	04	BC	P46 PROP SHAFT<C4Z> OD=45.5 T=2.00 WHITE
		1-09587-087-2		1406-	04	C	P46 PROP SHAFT<C4Z> OD=45.5 T=2.00 WHITE
		1-09587-088-1		1312-1405	08	BC	OD=45.5 T=2.05 YELLOW
		1-09587-088-1		1406-	08	BC	P46 PROP SHAFT<C4Z> OD=45.5 T=2.05 YELLOW
		1-09587-088-1		1312-1405	04	BC	OD=45.5 T=2.05 YELLOW
		1-09587-088-1		1312-1405	04	C	OD=45.5 T=2.05 YELLOW
		1-09587-088-1		1406-	04	BC	P46 PROP SHAFT<C4Z> OD=45.5 T=2.05 YELLOW
		1-09587-088-1		1406-	04	C	P46 PROP SHAFT<C4Z> OD=45.5 T=2.05 YELLOW
20		BEARING ASM; CTR,PROP SHAFT					
		1-37510-094-3		1406-	01	B	P90 PROP SHAFT<C5T>
		1-37510-094-3		1406-	02	C	P90 PROP SHAFT<C5T>
		8-98020-881-0		1312-1405	01	ABC	

4-01

PROPELLER SHAFT

KEY	R / C	PART NAME PART NUMBER	I T C	APPLIED DATE	Qty	APPLIED MODEL	RESTRICTION/REMARKS
							A WHEEL BASE 4200MM(42W) B WHEEL BASE 5000MM(50W) C WHEEL BASE 6000MM(60W) D WHEEL BASE 3400MM(34W)
20		8-98020-881-0		1312-1405	01	C	
		8-98020-881-0		1406-	01	ABC	P46 PROP SHAFT<C4Z>
		8-98020-881-0		1406-	01	C	P46 PROP SHAFT<C4Z>
21		SEAL; OIL,CENTER BRG 1-09625-127-0		1406-	02	B	P90 PROP SHAFT<C5T> D=120
		1-09625-127-0		1406-	04	C	P90 PROP SHAFT<C5T> D=120
		1-09625-161-0		1312-1405	02	ABC	ID=54
		1-09625-161-0		1312-1405	02	C	ID=54
		1-09625-161-0		1406-	02	ABC	P46 PROP SHAFT<C4Z> ID=54
		1-09625-161-0		1406-	02	C	P46 PROP SHAFT<C4Z> ID=54
22		RUBBER; CUSHION,CENTER BRG,1ST 1-37516-048-2		1406-	01	B	P90 PROP SHAFT<C5T>
		1-37516-048-2		1406-	02	C	P90 PROP SHAFT<C5T>
		1-37516-059-0		1312-1405	01	ABC	
		1-37516-059-0		1312-1405	01	C	
		1-37516-059-0		1406-	01	ABC	P46 PROP SHAFT<C4Z>
		1-37516-059-0		1406-	01	C	P46 PROP SHAFT<C4Z>
23		BEARING; CENTER,PROP SHAFT 9-00090-256-0		1406-	01	B	P90 PROP SHAFT<C5T>
		9-00090-256-0		1406-	02	C	P90 PROP SHAFT<C5T>
		9-00090-071-0		1312-1405	01	ABC	
		9-00090-071-0		1312-1405	01	C	
		9-00090-071-0		1406-	01	ABC	P46 PROP SHAFT<C4Z>
		9-00090-071-0		1406-	01	C	P46 PROP SHAFT<C4Z>
24		RETAINER; CENTER BRG,1ST 1-37529-041-0		1406-	01	B	P90 PROP SHAFT<C5T>
		1-37529-041-0		1406-	02	C	P90 PROP SHAFT<C5T>
		8-98020-882-0		1312-1405	01	ABC	
		8-98020-882-0		1312-1405	01	C	
		8-98020-882-0		1406-	01	ABC	P46 PROP SHAFT<C4Z>
		8-98020-882-0		1406-	01	C	P46 PROP SHAFT<C4Z>
25		NIPPLE; GREASE,CENTER BRG 1-09380-006-0		1406-	02	C	P90 PROP SHAFT<C5T> (A) MT6 STRAIGHT IDN
		1-09380-006-0		1312-1405	01	ABC	(A) MT6 STRAIGHT IDN

4-01

PROPELLER SHAFT

KEY	R / C	PART NAME PART NUMBER	I T C	APPLIED DATE	Qty	APPLIED MODEL	RESTRICTION/REMARKS
							A WHEEL BASE 4200MM(42W) B WHEEL BASE 5000MM(50W) C WHEEL BASE 6000MM(60W) D WHEEL BASE 3400MM(34W)
25		1-09380-006-0		1406-	01	A C	P46 PROP SHAFT<C4Z> (A) MT6 STRAIGHT IDN
		1-09380-006-0		1406-	01	B	(A) MT6 STRAIGHT IDN
		8-98020-889-0		1312-1405	01	C	(B)
		8-98020-889-0		1406-	01	C	P46 PROP SHAFT<C4Z> (B)
45		WASHER; PL,RET TO BRKT 0-91614-610-0		1312-1405	04	ABC	ID=10.5 OD=22
		0-91614-610-0		1406-	04	ABC	P46 PROP SHAFT<C4Z> ID=10.5 OD=22
46		FLANGE; SPLINED,PROP SHAFT,1ST 1-37245-271-1		1406-	01	B	P90 PROP SHAFT<C5T>
		1-37245-271-1		1406-	02	C	P90 PROP SHAFT<C5T>
		8-98020-815-0		1312-1405	01	ABC	
		8-98020-815-0		1312-1405	01	C	
		8-98020-815-0		1406-	01	ABC	P46 PROP SHAFT<C4Z>
		8-98020-815-0		1406-	01	C	P46 PROP SHAFT<C4Z>
49		NUT; YOKE 1-09449-065-0		1406-	04	C	P90 PROP SHAFT<C5T> M16 FLANGE
		0-91110-514-0		1312-1405	04	C	M14
		0-91110-514-0		1406-	04	C	P46 PROP SHAFT<C4Z> M14
51		NUT; FLANGE,SPLINED 1-09440-046-0		1406-	01	B	P90 PROP SHAFT<C5T> M39 FLANGE
		1-09440-046-0		1406-	02	C	P90 PROP SHAFT<C5T> M39 FLANGE
		8-97160-857-0		1312-1405	01	ABC	M30
		8-97160-857-0		1312-1405	01	C	M30
		8-97160-857-0		1406-	01	ABC	P46 PROP SHAFT<C4Z> M30
		8-97160-857-0		1406-	01	C	P46 PROP SHAFT<C4Z> M30
52		WASHER; LK, YOKE					

4-01

PROPELLER SHAFT

KEY	R / C	PART NAME PART NUMBER	I T C	APPLIED DATE	Qty	APPLIED MODEL	RESTRICTION/REMARKS
							A WHEEL BASE 4200MM(42W) B WHEEL BASE 5000MM(50W) C WHEEL BASE 6000MM(60W) D WHEEL BASE 3400MM(34W)
52		0-91510-614-0		1312-1405	04	C	
		0-91510-614-0		1406-	04	C	ID=14.2 P46 PROP SHAFT<C4Z> ID=14.2
56		NUT; YOKE 0-91110-514-0		1312-1405	04	ABC	(B) M14
		0-91110-514-0		1406-	04	ABC	P46 PROP SHAFT<C4Z> (B) M14
		1-09449-065-0		1312-1402	04	ABC	(A) M16 FLANGE
		1-09449-065-0		1403-1405	04	ABCD	(A) M16 FLANGE
		1-09449-065-0		1403-1405	04	D	(A) M16 FLANGE
		1-09449-065-0		1406-	04	ABCD	(A) M16 FLANGE
		1-09449-065-0		1406-	04	BC	P90 PROP SHAFT<C5T> (A) M16 FLANGE
		1-09449-065-0		1406-	04	D	(A) M16 FLANGE
57		WASHER; LK, YOKE 0-91510-614-0		1312-1405	04	ABC	ID=14.2 P46 PROP SHAFT<C4Z> ID=14.2
		0-91510-614-0		1406-	04	ABC	
60		WASHER; PL,RET TO BRKT 0-91614-610-0		1312-1405	04	C	ID=10.5 OD=22 P46 PROP SHAFT<C4Z> ID=10.5 OD=22
		0-91614-610-0		1406-	04	C	
63		BOLT; RET TO BRKT,PROP SHAFT,1ST 0-28651-035-0		1312-1405	04	ABC	M10X35 FLANGE IDN
		0-28651-035-0		1312-1405	04	C	M10X35 FLANGE IDN

4-01

PROPELLER SHAFT

KEY	R / C	PART NAME PART NUMBER	I T C	APPLIED DATE	Qty	APPLIED MODEL	RESTRICTION/REMARKS
							A WHEEL BASE 4200MM(42W) B WHEEL BASE 5000MM(50W) C WHEEL BASE 6000MM(60W) D WHEEL BASE 3400MM(34W)
63		0-28651-035-0		1406-	04	ABC	P46 PROP SHAFT<C4Z> M10X35 FLANGE
		0-28651-035-0		1406-	04	C	IDN P46 PROP SHAFT<C4Z> M10X35 FLANGE
64		NUT; RET TO BRKT 0-91180-210-0		1312-1405	04	ABC	IDN M10 FLANGE
		0-91180-210-0		1312-1405	04	C	M10 FLANGE
		0-91180-210-0		1406-	04	ABC	M10 FLANGE P46 PROP SHAFT<C4Z>
		0-91180-210-0		1406-	04	C	M10 FLANGE P46 PROP SHAFT<C4Z>
71		NUT; YOKE 1-09449-065-0		1312-	04	ABC	M10 FLANGE
74		BOLT; YOKE,TRANS 1-09000-121-0		1312-1405	04	ABC	M16 FLANGE
		1-09000-121-0		1312-1405	04	C	(B) M14X37
		1-09000-121-0		1406-	04	ABC	(B) M14X37 P46 PROP SHAFT<C4Z>
		1-09000-121-0		1406-	04	C	(B) M14X37 P46 PROP SHAFT<C4Z>
		1-09000-383-0		1312-1402	04	ABC	(B) M14X37
		1-09000-383-0		1403-1405	04	ABCD	(A) M16X48
		1-09000-383-0		1406-	04	ABCD	(A) M16X48
		1-09000-383-0		1406-	04	C	(A) M16X48 P90 PROP SHAFT<C5T>
78		BOLT; HOLDER SET,CENTER BRG,1ST PROP 1-09042-030-0		1406-	02	BC	(A) M16X48 P90 PROP SHAFT<C5T> M16X45

4-01

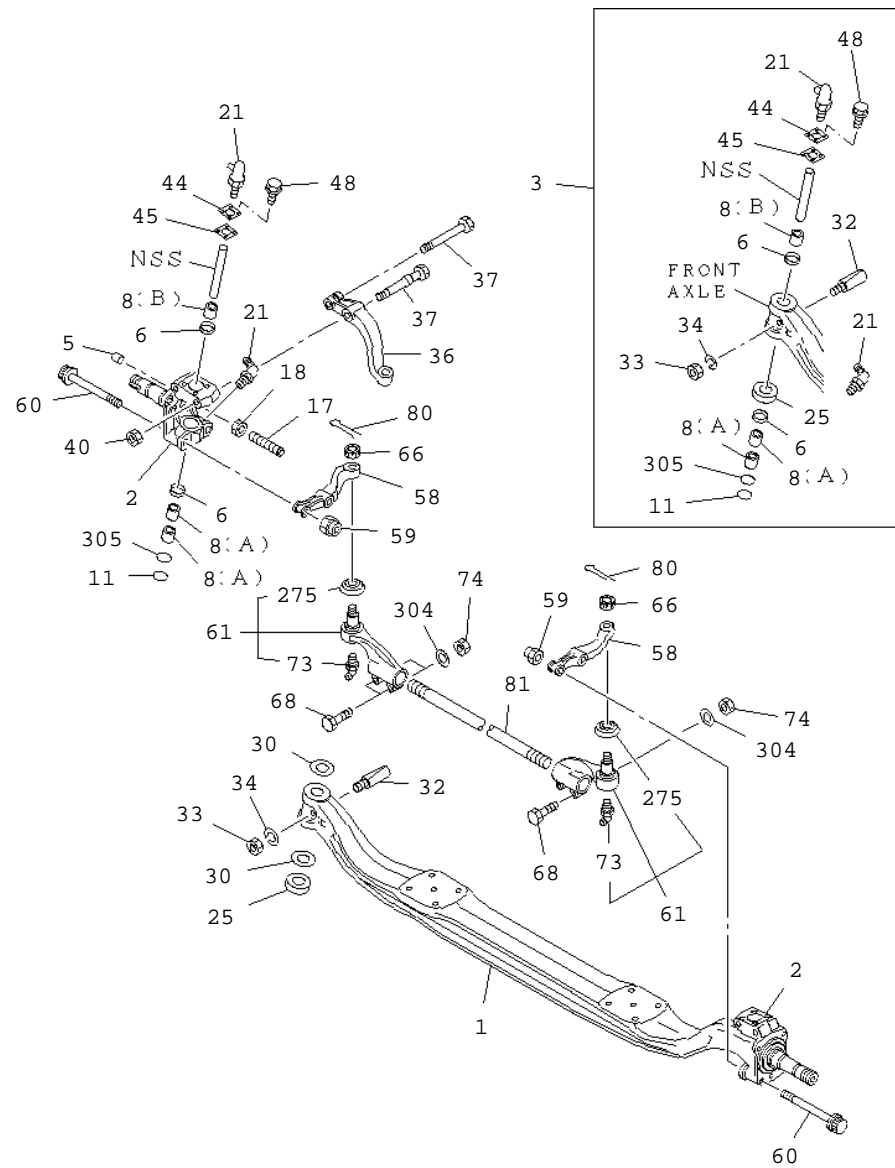
PROPELLER SHAFT

KEY	R / C	PART NAME PART NUMBER	I T C	APPLIED DATE	Qty	APPLIED MODEL	RESTRICTION/REMARKS
							A WHEEL BASE 4200MM(42W) B WHEEL BASE 5000MM(50W) C WHEEL BASE 6000MM(60W) D WHEEL BASE 3400MM(34W)
79		WASHER; PL,HOLDER SET,CENTER BRG 1-09503-241-1		1406-	02	BC	P90 PROP SHAFT<C5T> ID=17
80		NUT; HOLDER SET,CENTER BRG,1ST PROP 8-98049-689-0		1406-	02	BC	P90 PROP SHAFT<C5T> M16 SLOTTED
81		PIN; SPLIT,HOLDER SET,CENTER BRG 0-81124-025-0		1406-	02	BC	P90 PROP SHAFT<C5T> OD=3.7 L=25
91		BOLT; HOLDER SET,CTR BRG 1-09042-030-0		1406-	02	C	P90 PROP SHAFT<C5T> M16X45
92		WASHER; LK,HOLDER SET,CTR BRG 1-09503-241-1		1406-	02	C	P90 PROP SHAFT<C5T> ID=17
93		NUT; HOLDER SET,CTR BRG 8-98049-689-0		1406-	02	C	P90 PROP SHAFT<C5T> M16 SLOTTED
94		PIN; SPLIT,HOLDER SET CTR BRG 0-81124-025-0		1406-	02	C	P90 PROP SHAFT<C5T> OD=3.7 L=25
104		PLUG; SLEEVE YOKE 1-09600-067-0 1-09600-067-0 1-09600-067-0 1-09600-064-0 1-09600-064-0		1403-1405 1406- 1406- 1312-1405 1406-	01 01 01 01 01	D BC D ABC ABC	P90 PROP SHAFT<C5T> P46 PROP SHAFT<C4Z>
106		NIPPLE; GREASE, YOKE, PROP SHAFT 0-90301-410-0 0-90301-410-0		1312-1402 1403-	01 01	ABC ABCD	PT1/8 STRAIGHT PT1/8 STRAIGHT
107		COVER; RET,SLEEVE 1-37249-060-1 1-37249-060-1		1312-1405 1406-	01 01	ABC ABC	P46 PROP SHAFT<C4Z>
128		SEAL; SLEEVE 1-37247-019-0 1-37247-019-0 1-37247-019-0 1-37247-024-0 1-37247-024-0		1403-1405 1406- 1406- 1312-1405 1406-	01 01 01 01 01	D BC D ABC ABC	P90 PROP SHAFT<C5T> P46 PROP SHAFT<C4Z>
172		BRACKET; CENTER BRG 8-98084-679-0 1-37515-136-0		1312- 1312-1405	01 01	A B	(A) (A)

4-01

PROPELLER SHAFT

KEY	R / C	PART NAME PART NUMBER	I T C	APPLIED DATE	Qty	APPLIED MODEL	RESTRICTION/REMARKS
							A WHEEL BASE 4200MM(42W) B WHEEL BASE 5000MM(50W) C WHEEL BASE 6000MM(60W) D WHEEL BASE 3400MM(34W)
172		1-37515-136-0		1406-	01	B	P46 PROP SHAFT<C4Z> (A)
		1-37515-102-0		1312-1405	01	C	(A)
		1-37515-102-0		1406-	01	C	P46 PROP SHAFT<C4Z> (A)
		1-37515-127-0		1312-1405	01	C	(B)
		1-37515-127-0		1406-	01	C	P46 PROP SHAFT<C4Z> (B)
173		BOLT; BRKT 0-28651-025-0		1312-	04	ABC	M10X25 FLANGE IDN
		0-28651-025-0		1312-	04	C	M10X25 FLANGE IDN
174		NUT; BRKT 0-91180-210-0		1312-	04	ABC	M10 FLANGE
177		NUT 0-91180-210-0		1312-1405	04	ABC	M10 FLANGE
		0-91180-210-0		1406-	04	C	P46 PROP SHAFT<C4Z> M10 FLANGE
225		YOKE; SLEEVE, PROP SHAFT 1-37241-103-1		1403-1405	01	D	L=332
		1-37241-103-1		1406-	01	BC	P90 PROP SHAFT<C5T> L=332
		1-37241-103-1		1406-	01	D	L=332
		1-37241-099-2		1312-1405	01	ABC	L=271
		1-37241-099-2		1406-	01	ABC	P46 PROP SHAFT<C4Z> L=271



4-10

FRONT AXLE

KEY	R / C	PART NAME PART NUMBER	I T C	APPLIED DATE	L / R	Qty	APPLIED MODEL	RESTRICTION/REMARKS	
								A FVR WIDE CAB (FGR5MV)	B GVR WIDE CAB (GGR5MV)
1		AXLE; FRT 1-43111-113-6		1312-1402		01	A		
		1-43111-113-6		1403-		01	AB		
2		KNUCKLE; FRT AXLE 1-43131-079-1		1312-1402	R	01	A		
		1-43131-079-1		1403-	R	01	AB		
		1-43132-079-1		1312-1402	L	01	A		
		1-43132-079-1		1403-	L	01	AB		
3	B	KING PIN SET 1-87831-302-2		1312-1402		02	A		
		1-87831-302-2		1403-		02	AB		
5		PIN; KNUCKLE TO DRUM COVER 1-09740-072-0		1312-1402		02	A		
		1-09740-072-0		1403-		02	AB		
6		SEAL; KING PIN 9-09926-024-0		1312-1402		04	A		
		9-09926-024-0		1403-		04	AB		
8		BEARING; NEEDLE, KING PIN 9-00096-242-0		1312-1402		04	A	(A)	
		9-00096-242-0		1403-		04	AB	NTN	
		9-00096-243-0		1312-1402		02	A	(A)	
		9-00096-243-0		1403-		02	AB	NTN	
11		RING; SNAP, KNUCKLE PLUG 9-09950-204-0		1312-1402		02	A	(B)	
		9-09950-204-0		1403-		02	AB	NTN	
17		BOLT; STOPPER KNUCKLE 1-09009-190-0		1312-1402		02	A		
		1-09009-190-0		1403-		02	AB	M18X43	
18		NUT; STOPPER BOLT, KNUCKLE 0-91110-518-0		1312-1402		02	A		
		0-91110-518-0		1403-		02	AB	M18	
21		NIPPLE; GREASE, KING PIN 0-90301-510-0		1312-1402		04	A		
		0-90301-510-0		1403-		04	AB	M18	
								PT1/8 ELBOW 67.5 DEGREES	
								PT1/8 ELBOW 67.5 DEGREES	

4-10

FRONT AXLE

KEY	R / C	PART NAME PART NUMBER	I T C	APPLIED DATE	L / R	Qty	APPLIED MODEL	RESTRICTION/REMARKS	
								A FVR WIDE CAB(FGR5MV)	B GVR WIDE CAB(GGR5MV)
25		BEARING; THRUST,KING PIN 1-09829-043-2		1312-1402		02	A		
		1-09829-043-2		1403-		02	AB	NSK	
30		WASHER; THRUST,KING PIN 1-43171-185-0		1312-1402		AR	A		
		1-43171-185-0		1403-		AR	AB	T=4.875 -4.900	
		1-43171-186-0		1312-1402		AR	A	T=4.875 -4.900	
		1-43171-186-0		1403-		AR	AB	T=4.900 -4.925	
		1-43171-187-0		1312-1402		AR	A	T=4.900 -4.925	
		1-43171-187-0		1403-		AR	AB	T=4.925 -4.950	
		1-43171-188-0		1312-1402		AR	A	T=4.925 -4.950	
		1-43171-188-0		1403-		AR	AB	T=4.950 -4.975	
		1-43171-189-0		1312-1402		AR	A	T=4.950 -4.975	
		1-43171-189-0		1403-		AR	AB	T=4.975 -5.000	
		1-43171-190-0		1312-1402		AR	A	T=4.975 -5.000	
		1-43171-190-0		1403-		AR	AB	T=5.000 -5.025	
		1-43171-191-0		1312-1402		AR	A	T=5.000 -5.025	
		1-43171-191-0		1403-		AR	AB	T=5.025 -5.050	
		1-43171-192-0		1312-1402		AR	A	T=5.025 -5.050	
		1-43171-192-0		1403-		AR	AB	T=5.050 -5.075	
		1-43171-193-0		1312-1402		AR	A	T=5.050 -5.075	
		1-43171-193-0		1403-		AR	AB	T=5.075 -5.100	
		1-43171-194-0		1312-1402		AR	A	T=5.075 -5.100	
		1-43171-194-0		1403-		AR	AB	T=5.100 -5.125	
		1-43171-195-0		1312-1402		AR	A	T=5.100 -5.125	
								T=5.125 -5.150	

4-10

FRONT AXLE

KEY	R / C	PART NAME PART NUMBER	I T C	APPLIED DATE	L / R	Qty	APPLIED MODEL	RESTRICTION/REMARKS	
								A FVR WIDE CAB(FGR5MV)	B GVR WIDE CAB(GGR5MV)
30		1-43171-195-0		1403-		AR	AB		
		1-43171-196-0		1312-1402		AR	A	T=5.125 -5.150	
		1-43171-196-0		1403-		AR	AB	T=5.150 -5.175	
		1-43171-197-0		1312-1402		AR	A	T=5.150 -5.175	
		1-43171-197-0		1403-		AR	AB	T=5.175 -5.200	
		1-43171-198-0		1312-1402		AR	A	T=5.175 -5.200	
		1-43171-198-0		1403-		AR	AB	T=5.200 -5.225	
		1-43171-199-0		1312-1402		AR	A	T=5.200 -5.225	
		1-43171-199-0		1403-		AR	AB	T=5.225 -5.250	
								T=5.225 -5.250	
32		BOLT; KEY,KING PIN							
		1-43116-002-1		1312-1402		02	A		
		1-43116-002-1		1403-		02	AB		
33		NUT; KEY BOLT							
		0-91110-510-0		1312-1402		02	A	M10	
		0-91110-510-0		1403-		02	AB	M10	
34		WASHER; LK,KEY BOLT							
		0-91510-510-0		1312-1402		02	A	ID=10.2	
		0-91510-510-0		1403-		02	AB	ID=10.2	
36		ARM; KNUCKLE							
		1-43133-063-3		1312-1402		01	A		
		1-43133-063-3		1403-		01	AB		
37		BOLT; KNUCKLE ARM							
		8-98052-380-1		1312-1402		01	A	M22X179	
		8-98052-380-1		1403-		01	AB	M22X179	
		8-98052-381-1		1312-1402		01	A	M22X167	
		8-98052-381-1		1403-		01	AB	M22X167	
40		NUT; KNUCKLE ARM							
		1-09449-084-0		1312-1402		02	A	M22	
		1-09449-084-0		1403-		02	AB	M22	

4-10

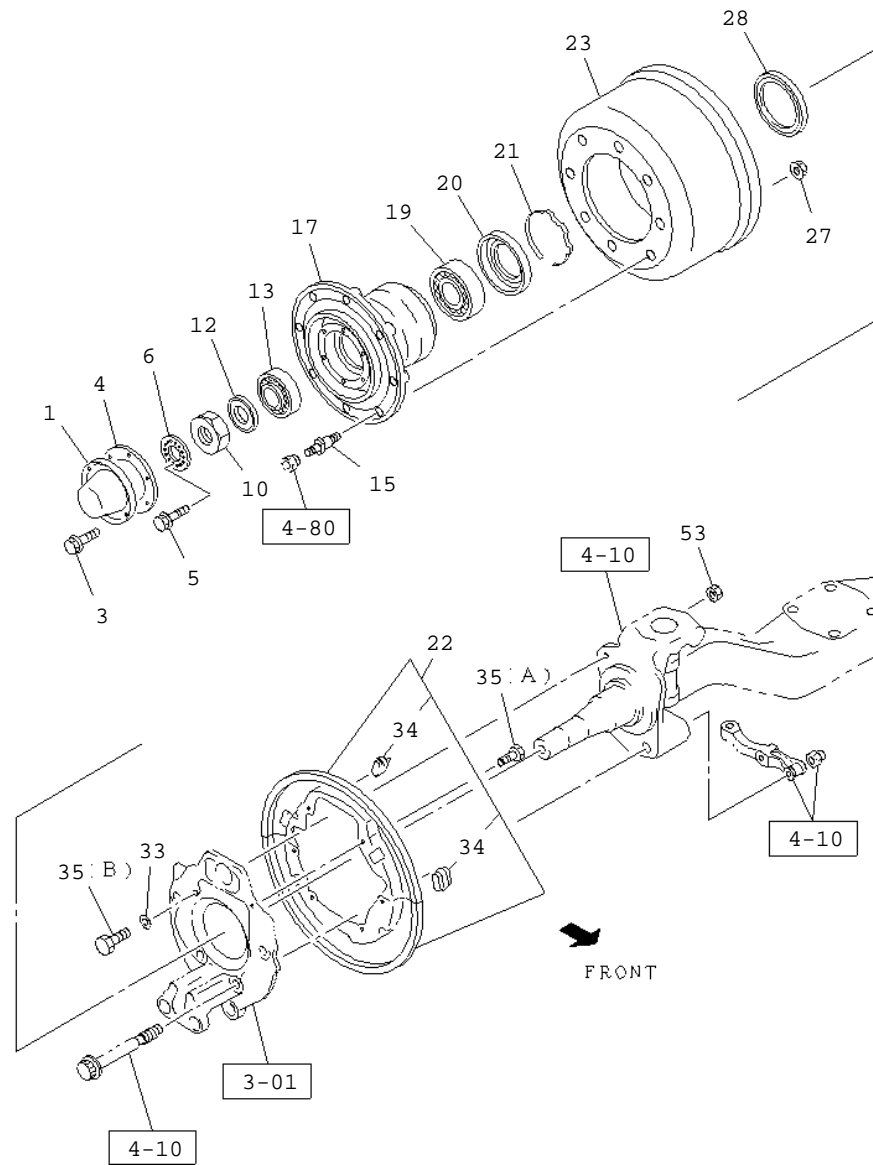
FRONT AXLE

KEY	R / C	PART NAME PART NUMBER	I T C	APPLIED DATE	L / R	Qty	APPLIED MODEL	RESTRICTION/REMARKS	
								A FVR WIDE CAB(FGR5MV)	B GVR WIDE CAB(GGR5MV)
44		COVER; KING PIN 1-43175-014-1 1-43175-014-1		1312-1402 1403-		02 02	A AB		
45		GASKET; KING PIN COVER 1-42319-044-0 1-42319-044-0		1312-1402 1403-		02 02	A AB		
48		BOLT; COVER 0-28051-216-0 0-28051-216-0		1312-1402 1403-		08 08	A AB	M12X16 FLANGE	
58		ARM; TIE ROD 1-43134-042-3 1-43134-042-3 1-43135-042-3 1-43135-042-3		1312-1402 1403- 1312-1402 1403-	R R L L	01 01 01 01	A AB A AB		
59		NUT; TIE ROD ARM 1-09449-084-0 1-09449-084-0		1312-1402 1403-		04 04	A AB	M22	
60		BOLT; TIE ROD ARM 8-98052-379-1 8-98052-379-1		1312-1402 1403-		04 04	A AB	M22	
61	B	ROD END; TIE ROD 8-98236-800-0 8-98236-800-0 8-98236-801-0 8-98236-801-0		1312-1402 1403- 1312-1402 1403-	R R L L	01 01 01 01	A AB A AB	M22X193	
66		NUT; TIE ROD END 1-09442-032-0 1-09442-032-0		1312-1402 1403-		02 02	A AB	M24	
68		BOLT; TIE ROD END 8-98053-922-0 8-98053-922-0		1312-1402 1403-		04 04	A AB	M24	
73		NIPPLE; GREASE,TIE ROD END 1-43159-133-0 1-43159-133-0		1312-1402 1403-		02 02	A AB	M12X65	
74		NUT; TIE ROD END 0-91110-512-0		1312-1402		04	A	M12X65	
								M12	

4-10

FRONT AXLE

KEY	R / C	PART NAME PART NUMBER	I T C	APPLIED DATE	L / R	Qty	APPLIED MODEL	RESTRICTION/REMARKS	
								A FVR WIDE CAB(FGR5MV)	B GVR WIDE CAB(GGR5MV)
74		0-91110-512-0		1403-		04	AB		
80		PIN; SPLIT,ROD END 0-81125-035-0 0-81125-035-0		1312-1402 1403-		02 02	A AB	M12 OD=4.6 L=35 OD=4.6 L=35	
81		ROD; TIE 8-98193-965-0 8-98193-965-0		1312-1402 1403-		01 01	A AB		
275		BOOT; ROD END,TIE 8-98229-116-0 8-98229-116-0		1312-1402 1403-		02 02	A AB		
304		WASHER; PL 0-91614-512-0 0-91614-512-0		1312-1402 1403-		04 04	A AB	ID=12.5 ID=12.5	
305		COVER; KNUCKLE 8-98052-291-0 8-98052-291-0		1312-1402 1403-		02 02	A AB		



4-11

FRONT HUB AND DRUM OR ROTOR

KEY	R / C	PART NAME PART NUMBER	I T C	APPLIED DATE	L / R	Qty	APPLIED MODEL	RESTRICTION/REMARKS
								A FVR WIDE CAB (FGR5MV) B GVR WIDE CAB (GGR5MV)
1		CAP; HUB, FRT AXLE 9-42313-123-2		1312-1402		02	A	
		9-42313-123-2		1403-		02	AB	OD=156
3		BOLT; HUB CAP, FRT WHEEL 0-28050-812-0		1312-1402		12	A	OD=156
		0-28050-812-0		1403-		12	AB	M8X12 FLANGE
4	B	GASKET; HUB CAP, FRT WHEEL 1-42319-185-2		1312-1402		02	A	M8X12 FLANGE
		1-42319-185-2		1403-		02	AB	
5		BOLT; LK WASHER 8-98200-943-0		1312-1402		04	A	M6X16 FLANGE
		8-98200-943-0		1403-		04	AB	M6X16 FLANGE
6	B	WASHER; LK, FRT HUB 8-98084-561-0		1312-1402		02	A	ID=48
		8-98084-561-0		1403-		02	AB	ID=48
10	B	NUT; FRT HUB BRG 1-09840-012-5		1312-1402		02	A	M48
		1-09840-012-5		1403-		02	AB	M48
12	B	WASHER; LK, FRT HUB BRG 8-98156-755-0		1312-1402		02	A	ID=48
		8-98156-755-0		1403-		02	AB	ID=48
13	B	BEARING; HUB OUTER, FRT AXLE 1-09812-234-0		1312-1402		02	A	KOYO
		1-09812-234-0		1403-		02	AB	KOYO
15	B	PIN; WHEEL, FRT AXLE 1-42331-109-1		1312-1402	R	08	A	M24X37.5, M22X57.5 RH THREAD
		1-42331-109-1		1403-	R	08	AB	M24X37.5, M22X57.5 RH THREAD
		1-42332-109-1		1312-1402	L	08	A	M24X37.5 LH THREAD, M22X57.5 RH THREAD
		1-42332-109-1		1403-	L	08	AB	M24X37.5 LH THREAD, M22X57.5 RH THREAD
17		HUB; FRT AXLE						

4-11

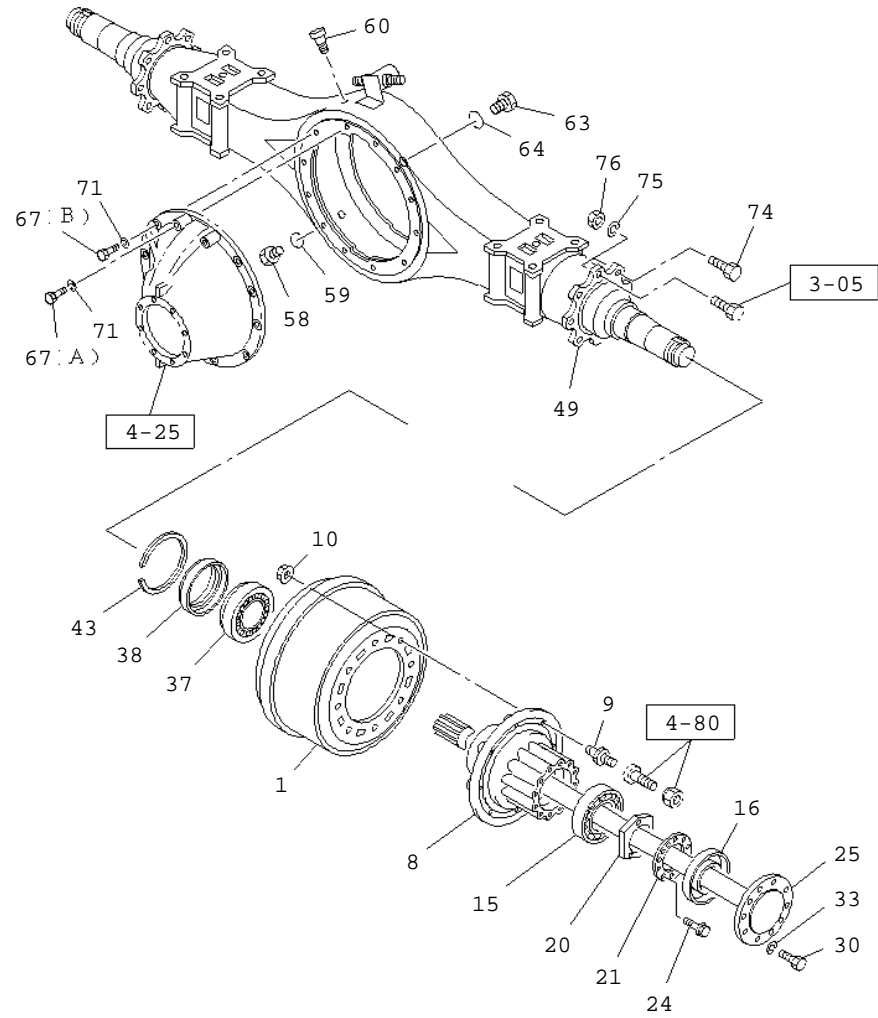
FRONT HUB AND DRUM OR ROTOR

KEY	R / C	PART NAME PART NUMBER	I T C	APPLIED DATE	L / R	Qty	APPLIED MODEL	RESTRICTION/REMARKS	
								A FVR WIDE CAB (FGR5MV)	B GVR WIDE CAB (GGR5MV)
17		1-42312-128-2		1312-1402		02	A		
		1-42312-128-2		1403-		02	AB		
19	B	BEARING; HUB INNER, FRT AXLE							
		1-09812-231-0		1312-1402		02	A		KOYO
		1-09812-231-0		1403-		02	AB		KOYO
20		COVER; HUB BRG INNER							
		1-42319-039-0		1312-1402		02	A		
		1-42319-039-0		1403-		02	AB		
21		RING; SNAP, HUB							
		1-09587-017-0		1312-1402		02	A		
		1-09587-017-0		1403-		02	AB		
22		COVER SET; FRT BRK DRUM							
		1-47151-458-1		1312-1402		02	A		
		1-47151-458-1		1403-		02	AB		
23		DRUM; BRK, FRT							
		1-42315-355-0		1312-1402		02	A		
		1-42315-355-0		1403-		02	AB		
27	B	NUT; WHEEL PIN, FRT AXLE							
		1-09440-065-0		1312-1402		16	A		M22 FLANGE
		1-09440-065-0		1403-		16	AB		M22 FLANGE
28	B	SEAL; OIL, FRT HUB							
		1-09625-041-0		1312-1402		02	A		OD=140
		1-09625-041-0		1403-		02	AB		OD=140
33		WASHER; LK, DRUM COVER							
		0-91510-816-0		1312-1402		04	A		ID=16.2
		0-91510-816-0		1403-		04	AB		ID=16.2
34		COVER; CHECK HOLE, DRUM COVER							
		1-09333-151-0		1312-1402		04	A		
		1-09333-151-0		1403-		04	AB		
35		BOLT; DRUM COVER							
		1-09044-120-0		1312-1402		04	A		(B) M16X52
		1-09044-120-0		1403-		04	AB		(B) M16X52
		1-47159-187-0		1312-1402		12	A		(A) M10X12

4-11

FRONT HUB AND DRUM OR ROTOR

KEY	R / C	PART NAME PART NUMBER	I T C	APPLIED DATE	L / R	Qty	APPLIED MODEL	RESTRICTION/REMARKS
								A FVR WIDE CAB (FGR5MV) B GVR WIDE CAB (GGR5MV)
35		1-47159-187-0		1403-		12	AB	(A) M10X12
53		NUT; DRUM COVER 0-91110-516-0		1312-1402		04	A	M16
		0-91110-516-0		1403-		04	AB	M16
3-01		Move to 3-01						
4-10		Move to 4-10						
4-80		Move to 4-80						



4-20

REAR AXLE CASE AND SHAFT

KEY	R / C	PART NAME PART NUMBER	I T C	APPLIED DATE	L / R	Qty	APPLIED MODEL	RESTRICTION/REMARKS	
								A FVR WIDE CAB(FGR5MV)	B GVR WIDE CAB(GGR5MV)
1		DRUM; BRK,RR 1-42315-194-4		1312-1402		02	A		
		1-42315-194-4		1403-		02	AB		
8		HUB; RR AXLE 1-42311-104-0		1312-1402		02	A		
		1-42311-104-0		1403-		02	AB		
9	B	PIN; WHEEL,RR AXLE 1-42331-110-2		1312-1402	R	08	A		
		1-42331-110-2		1403-	R	08	AB	M20X34.5,M22X51.5 RH THREAD	
		1-42332-110-2		1312-1402	L	08	A	M20X34.5,M22X51.5 RH THREAD	
		1-42332-110-2		1403-	L	08	AB	M20X34.5 LH THREAD,M22X51.5 RH THREAD	
								M20X34.5 LH THREAD,M22X51.5 RH THREAD	
10	B	NUT; WHEEL PIN,RR AXLE 1-09440-065-0		1312-1402		16	A		
		1-09440-065-0		1403-		16	AB	M22 FLANGE	
								M22 FLANGE	
15	B	BEARING; HUB OUTER,RR AXLE 1-09812-232-0		1312-1402		02	A		
		1-09812-232-0		1403-		02	AB	KOYO	
		1-09812-256-0		1312-1402		02	A	KOYO	
		1-09812-256-0		1403-		02	AB	SKF	
								SKF	
16	B	SEAL; OIL,RR HUB,OUTER 1-09625-444-0		1312-1402		02	A		
		1-09625-444-0		1403-		02	AB	TKK	
								TKK	
20	B	NUT; BRG,RR HUB 9-09843-062-2		1312-1402		02	A		
		9-09843-062-2		1403-		02	AB	M88	
								M88	
21	B	WASHER; LK,BRG NUT 9-09854-112-0		1312-1402		02	A		
		9-09854-112-0		1403-		02	AB	ID=88	
								ID=88	
24		BOLT; LK WASHER 0-28650-616-0		1312-1402		06	A		
								M6X16 FLANGE	

4-20

REAR AXLE CASE AND SHAFT

KEY	R / C	PART NAME PART NUMBER	I T C	APPLIED DATE	L / R	Qty	APPLIED MODEL	RESTRICTION/REMARKS	
								A FVR WIDE CAB(FGR5MV)	B GVR WIDE CAB(GGR5MV)
24		0-28650-616-0		1403-		06	AB		
25		SHAFT; AXLE,RR 8-98146-168-0		1403-		02	B	M6X16 FLANGE	
		8-98146-164-0		1312-		02	A	L=1050	
30		BOLT; HUB TO AXLE SHAFT 1-09000-582-0		1312-1402		20	A	L=1050	
		1-09000-582-0		1403-		20	AB	M14X58	
33		WASHER; AXLE SHAFT 0-91510-814-0		1312-1402		20	A	M14X58	
		0-91510-814-0		1403-		20	AB	ID=14.2	
37	B	BEARING; HUB INNER,RR AXLE 1-09812-233-0		1312-1402		02	A	ID=14.2	
		1-09812-233-0		1403-		02	AB	KOYO	
		1-09812-257-0		1312-1402		02	A	KOYO	
		1-09812-257-0		1403-		02	AB	SKF	
38	B	SEAL; OIL,RR HUB,INNER 1-09625-265-0		1312-1402		02	A	SKF	
		1-09625-265-0		1403-		02	AB	NOK	
		1-09625-350-0		1312-1402		02	A	NOK	
		1-09625-350-0		1403-		02	AB	TKK	
43		RING; SNAP,HUB SEAL,RR AXLE 1-09587-057-0		1312-1402		02	A	TKK	
		1-09587-057-0		1403-		02	AB	OD=179	
49		CASE; RR AXLE 8-98251-935-0		1403-		01	B	OD=179	
		8-98251-936-0		1403-		01	B	REAR SHOCK ABSORBER<GL6>	
		8-98190-624-0		1312-		01	A	EXC. REAR SHOCK ABSORBER<GL6>	
58		PLUG; DRAIN,AXLE CASE 1-09604-023-0		1312-1402		01	A	M24X17 FLANGE	

4-20

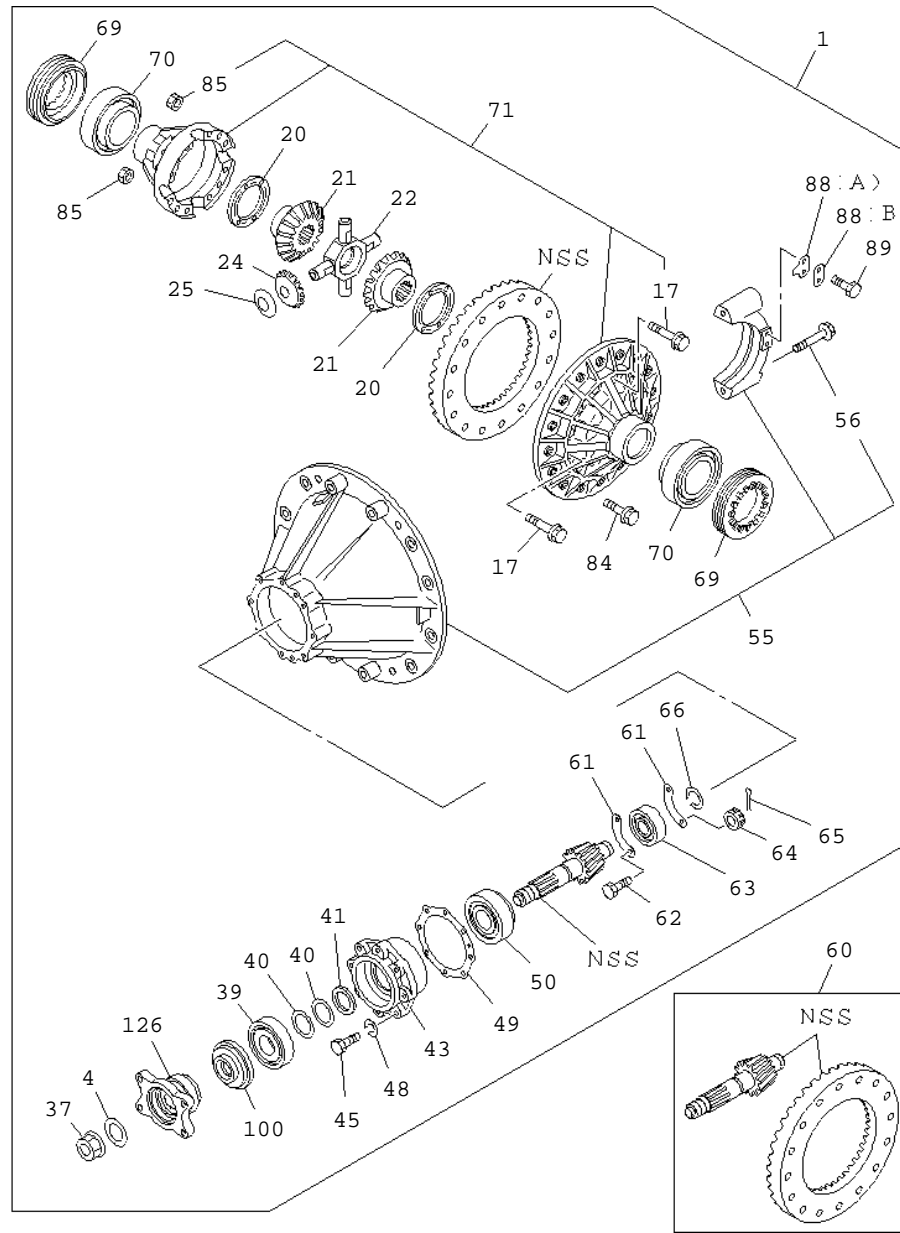
REAR AXLE CASE AND SHAFT

KEY	R / C	PART NAME PART NUMBER	I T C	APPLIED DATE	L / R	Qty	APPLIED MODEL	RESTRICTION/REMARKS	
								A FVR WIDE CAB(FGR5MV)	B GVR WIDE CAB(GGR5MV)
58		1-09604-023-0		1403-		01	AB		
59		GASKET; DRAIN PLUG 9-09920-605-0		1312-1402		01	A	M24X17 FLANGE	
		9-09920-605-0		1403-		01	AB	ID=26.8	
60		BREATHER; RR AXLE CASE 1-09893-016-0		1312-1402		01	A	ID=26.8	
		1-09893-016-0		1403-		01	AB		
63		PLUG; OIL FILLER,AXLE CASE 1-09604-022-0		1312-1402		01	A		
		1-09604-022-0		1403-		01	AB	M24X17 FLANGE	
64		GASKET; OIL FILLER,AXLE CASE 9-09920-605-0		1312-1402		01	A	M24X17 FLANGE	
		9-09920-605-0		1403-		01	AB	ID=26.8	
67		BOLT; FINAL DRIVE SETTING 0-10956-670-0		1403-		06	B	ID=26.8	
		0-20951-640-0		1403-		06	B	(A) M16X70	
		0-10956-670-0		1312-		04	A	(B) M16X40	
		0-20951-640-0		1312-		08	A	(A) M16X70	
71		WASHER; LK,FINAL DRIVE SETTING 0-91510-816-0		1312-1402		12	A	(B) M16X40	
		0-91510-816-0		1403-		12	AB	ID=16.2	
74		BOLT; RR BRK ASM SETTING 1-09040-066-0		1312-1402		14	A	ID=16.2	
		1-09040-066-0		1403-		14	AB	M14X50	
75		WASHER; LK,RR BRK ASM SETTING 0-91510-814-0		1312-1402		16	A	M14X50	
		0-91510-814-0		1403-		16	AB	ID=14.2	
								ID=14.2	

4-20

REAR AXLE CASE AND SHAFT

KEY	R / C	PART NAME PART NUMBER	I T C	APPLIED DATE	L / R	Qty	APPLIED MODEL	RESTRICTION/REMARKS
								A FVR WIDE CAB(FGR5MV) B GVR WIDE CAB(GGR5MV)
76		NUT; RR BRK ASM SETTING 0-91110-514-0		1312-1402		16	A	M14
		0-91110-514-0		1403-		16	AB	M14
3-05		Move to 3-05						
4-25		Move to 4-25						
		Move to 4-25						
4-80		Move to 4-80						



4-25A REAR FINAL DRIVE -A 17.5"

KEY	R / C	PART NAME PART NUMBER	I T C	APPLIED DATE	L / R	Qty	APPLIED MODEL	RESTRICTION/REMARKS
								A FINAL GEAR 43/6 17.5" (W3U) B FINAL GEAR 41/6 17.5" (W4W) C FINAL GEAR 43/7 17.5" (W3Y) D FINAL GEAR 39/7 17.5" (W3Z) E FINAL GEAR 41/8 17.5" (W4A)
1	D	DRIVE ASM; FINAL,RR 1-41001-382-0		1406-		01	C	
		1-41001-383-0		1406-		01	D	43/7
		1-41001-384-0		1406-		01	E	39/7
		1-41001-380-0		1312-		01	A	41/8
		1-41001-398-0		1312-		01	B	43/6
4		GASKET; FLANGE,FINAL PINION 1-09623-386-0		1312-1402		01	AB	41/6
		1-09623-386-0		1403-1405		01	AB	ID=57
		1-09623-386-0		1406-		01	ABCDE	ID=57
17		BOLT; DIFF CAGE SETTING 1-09070-007-0		1312-1405		04	AB	ID=57
		1-09070-007-0		1406-		04	ABCDE	M16X125
		1-09070-018-0		1312-1405		08	AB	M16X125
		1-09070-018-0		1406-		08	ABCDE	M16X113
20		WASHER; THRUST,SIDE GEAR 1-41562-112-0		1312-1405		AR	AB	M16X113
		1-41562-112-0		1406-		AR	ABCDE	T=2.8
		1-41562-113-0		1312-1405		AR	AB	T=2.8
		1-41562-113-0		1406-		AR	ABCDE	T=2.9
		1-41562-114-0		1312-1405		AR	AB	T=2.9
		1-41562-114-0		1406-		AR	ABCDE	T=3.0
		1-41562-115-0		1312-1405		AR	AB	T=3.0
		1-41562-115-0		1406-		AR	ABCDE	T=3.1

4-25A REAR FINAL DRIVE -A 17.5"

KEY	R / C	PART NAME PART NUMBER	I T C	APPLIED DATE	L / R	Qty	APPLIED MODEL	RESTRICTION/REMARKS
								A FINAL GEAR 43/6 17.5" (W3U) B FINAL GEAR 41/6 17.5" (W4W) C FINAL GEAR 43/7 17.5" (W3Y) D FINAL GEAR 39/7 17.5" (W3Z) E FINAL GEAR 41/8 17.5" (W4A)
20		1-41562-116-0		1312-1405		AR	AB	T=3.2
		1-41562-116-0		1406-		AR	ABCDE	T=3.2
		1-41562-117-0		1312-1405		AR	AB	T=3.3
		1-41562-117-0		1406-		AR	ABCDE	T=3.3
		1-41562-118-0		1312-1405		AR	AB	T=3.4
		1-41562-118-0		1406-		AR	ABCDE	T=3.4
21		GEAR; SIDE,DIFF 1-41561-151-0		1312-1405		02	AB	Z=16
		1-41561-151-0		1406-		02	ABCDE	Z=16
22		SPIDER; DIFF PINION 1-41521-037-2		1312-1405		01	AB	OD=35
		1-41521-037-2		1406-		01	ABCDE	OD=35
24		GEAR; PINION,DIFF 1-41551-053-0		1312-1405		04	AB	Z=10
		1-41551-053-0		1406-		04	ABCDE	Z=10
25		WASHER; THRUST,PINION 1-41552-017-0		1312-1405		04	AB	T=1.6
		1-41552-017-0		1406-		04	ABCDE	T=1.6
37		NUT; DRIVING PINION 1-09449-071-0		1312-1402		01	AB	M46 FLANGE
		1-09449-071-0		1403-1405		01	AB	M46 FLANGE
		1-09449-071-0		1406-		01	ABCDE	M46 FLANGE
39		BEARING; FINAL PINION 1-09812-075-0		1312-1402		01	AB	NSK
		1-09812-075-0		1403-1405		01	AB	NSK

4-25A REAR FINAL DRIVE -A 17.5"

KEY	R / C	PART NAME PART NUMBER	I T C	APPLIED DATE	L / R	Qty	APPLIED MODEL	RESTRICTION/REMARKS	
								A FINAL GEAR 43/6 17.5" (W3U)	
								B FINAL GEAR 41/6 17.5" (W4W)	
								C FINAL GEAR 43/7 17.5" (W3Y)	
								D FINAL GEAR 39/7 17.5" (W3Z)	
								E FINAL GEAR 41/8 17.5" (W4A)	
39		1-09812-075-0		1406-		01	ABCDE	NSK	
		1-09812-076-1		1312-1402		01	AB	KOYO	
		1-09812-076-1		1403-1405		01	AB	KOYO	
		1-09812-076-1		1406-		01	ABCDE	KOYO	
40		SHIM; FINAL PINION							
		1-41229-245-0		1312-1402		AR	AB	T=3.25	
		1-41229-245-0		1403-1405		AR	AB	T=3.25	
		1-41229-245-0		1406-		AR	ABCDE	T=3.25	
		1-41229-246-0		1312-1402		AR	AB	T=3.26	
		1-41229-246-0		1403-1405		AR	AB	T=3.26	
		1-41229-246-0		1406-		AR	ABCDE	T=3.26	
		1-41229-247-0		1312-1402		AR	AB	T=3.27	
		1-41229-247-0		1403-1405		AR	AB	T=3.27	
		1-41229-247-0		1406-		AR	ABCDE	T=3.27	
		1-41229-248-0		1312-1402		AR	AB	T=3.28	
		1-41229-248-0		1403-1405		AR	AB	T=3.28	
		1-41229-248-0		1406-		AR	ABCDE	T=3.28	
		1-41229-249-0		1312-1402		AR	AB	T=3.29	
		1-41229-249-0		1403-1405		AR	AB	T=3.29	
		1-41229-249-0		1406-		AR	ABCDE	T=3.29	
		1-41229-250-0		1312-1402		AR	AB	T=3.30	
		1-41229-250-0		1403-1405		AR	AB	T=3.30	
		1-41229-250-0		1406-		AR	ABCDE	T=3.30	

4-25A REAR FINAL DRIVE -A 17.5"

KEY	R / C	PART NAME PART NUMBER	I T C	APPLIED DATE	L / R	Qty	APPLIED MODEL	RESTRICTION/REMARKS
								A FINAL GEAR 43/6 17.5" (W3U) B FINAL GEAR 41/6 17.5" (W4W) C FINAL GEAR 43/7 17.5" (W3Y) D FINAL GEAR 39/7 17.5" (W3Z) E FINAL GEAR 41/8 17.5" (W4A)
40		1-41229-251-0		1312-1402		AR	AB	T=3.31
		1-41229-251-0		1403-1405		AR	AB	T=3.31
		1-41229-251-0		1406-		AR	ABCDE	T=3.31
		1-41229-252-0		1312-1402		AR	AB	T=3.32
		1-41229-252-0		1403-1405		AR	AB	T=3.32
		1-41229-252-0		1406-		AR	ABCDE	T=3.32
		1-41229-253-0		1312-1402		AR	AB	T=3.33
		1-41229-253-0		1403-1405		AR	AB	T=3.33
		1-41229-253-0		1406-		AR	ABCDE	T=3.33
		1-41229-254-0		1312-1402		AR	AB	T=3.34
		1-41229-254-0		1403-1405		AR	AB	T=3.34
		1-41229-254-0		1406-		AR	ABCDE	T=3.34
		1-41229-255-0		1312-1402		AR	AB	T=3.35
		1-41229-255-0		1403-1405		AR	AB	T=3.35
	1-41229-255-0		1406-		AR	ABCDE	T=3.35	
41		SPACER; FINAL DRIVE PINION BRG 1-41229-237-0		1312-1402		AR	AB	T=7.60
		1-41229-237-0		1403-1405		AR	AB	T=7.60
		1-41229-237-0		1406-		AR	ABCDE	T=7.60
		1-41229-238-0		1312-1402		AR	AB	T=7.80
		1-41229-238-0		1403-1405		AR	AB	T=7.80
		1-41229-238-0		1406-		AR	ABCDE	T=7.80
		1-41229-239-0		1312-1402		AR	AB	T=8.00

4-25A REAR FINAL DRIVE -A 17.5"

KEY	R / C	PART NAME PART NUMBER	I T C	APPLIED DATE	L / R	Qty	APPLIED MODEL	RESTRICTION/REMARKS
								A FINAL GEAR 43/6 17.5" (W3U) B FINAL GEAR 41/6 17.5" (W4W) C FINAL GEAR 43/7 17.5" (W3Y) D FINAL GEAR 39/7 17.5" (W3Z) E FINAL GEAR 41/8 17.5" (W4A)
41		1-41229-239-0		1403-1405		AR	AB	T=8.00
		1-41229-239-0		1406-		AR	ABCDE	T=8.00
		1-41229-240-0		1312-1402		AR	AB	T=8.20
		1-41229-240-0		1403-1405		AR	AB	T=8.20
		1-41229-240-0		1406-		AR	ABCDE	T=8.20
		1-41229-241-0		1312-1402		AR	AB	T=8.40
		1-41229-241-0		1403-1405		AR	AB	T=8.40
		1-41229-241-0		1406-		AR	ABCDE	T=8.40
		1-41229-242-0		1312-1402		AR	AB	T=8.60
		1-41229-242-0		1403-1405		AR	AB	T=8.60
		1-41229-242-0		1406-		AR	ABCDE	T=8.60
		1-41229-243-0		1312-1402		AR	AB	T=8.80
		1-41229-243-0		1403-1405		AR	AB	T=8.80
		1-41229-243-0		1406-		AR	ABCDE	T=8.80
		1-41229-244-0		1312-1402		AR	AB	T=9.00
		1-41229-244-0		1403-1405		AR	AB	T=9.00
	1-41229-244-0		1406-		AR	ABCDE	T=9.00	
43		CAGE; FINAL PINION 1-41151-030-0		1312-1405		01	AB	T=81
		1-41151-030-0		1406-		01	ABCDE	T=81
45		BOLT; FINAL PINION CAGE 0-16806-655-0		1312-1402		08	AB	M16X55
		0-16806-655-0		1403-1405		08	AB	M16X55

4-25A REAR FINAL DRIVE -A 17.5"

KEY	R / C	PART NAME PART NUMBER	I T C	APPLIED DATE	L / R	Qty	APPLIED MODEL	RESTRICTION/REMARKS
								A FINAL GEAR 43/6 17.5" (W3U) B FINAL GEAR 41/6 17.5" (W4W) C FINAL GEAR 43/7 17.5" (W3Y) D FINAL GEAR 39/7 17.5" (W3Z) E FINAL GEAR 41/8 17.5" (W4A)
45		0-16806-655-0		1406-		08	ABCDE	M16X55
48		WASHER; LK,FINAL PINION 0-91510-516-0		1312-1402		08	AB	ID=16.2
		0-91510-516-0		1403-1405		08	AB	ID=16.2
		0-91510-516-0		1406-		08	ABCDE	ID=16.2
49		SHIM; FINAL PINION CAGE 1-41154-024-0		1312-1405		AR	AB	T=0.50
		1-41154-024-0		1406-		AR	ABCDE	T=0.50
		1-41154-025-0		1312-1405		AR	AB	T=1.00
		1-41154-025-0		1406-		AR	ABCDE	T=1.00
		1-41154-057-0		1312-1405		AR	AB	T=0.30
		1-41154-057-0		1406-		AR	ABCDE	T=0.30
		1-41154-058-0		1312-1405		AR	AB	T=0.40
		1-41154-058-0		1406-		AR	ABCDE	T=0.40
50		BEARING; FINAL PINION 1-09812-073-1		1312-1402		01	AB	NSK
		1-09812-073-1		1403-1405		01	AB	NSK
		1-09812-073-1		1406-		01	ABCDE	NSK
		1-09812-074-3		1312-1402		01	AB	KOYO
		1-09812-074-3		1403-1405		01	AB	KOYO
		1-09812-074-3		1406-		01	ABCDE	KOYO
55		CARRIER; DIFF 1-41110-109-0		1312-1405		01	AB	
		1-41110-109-0		1406-		01	ABCDE	
56		BOLT; BRG CAP 1-09070-042-0		1312-1405		04	AB	M20X112

4-25A REAR FINAL DRIVE -A 17.5"

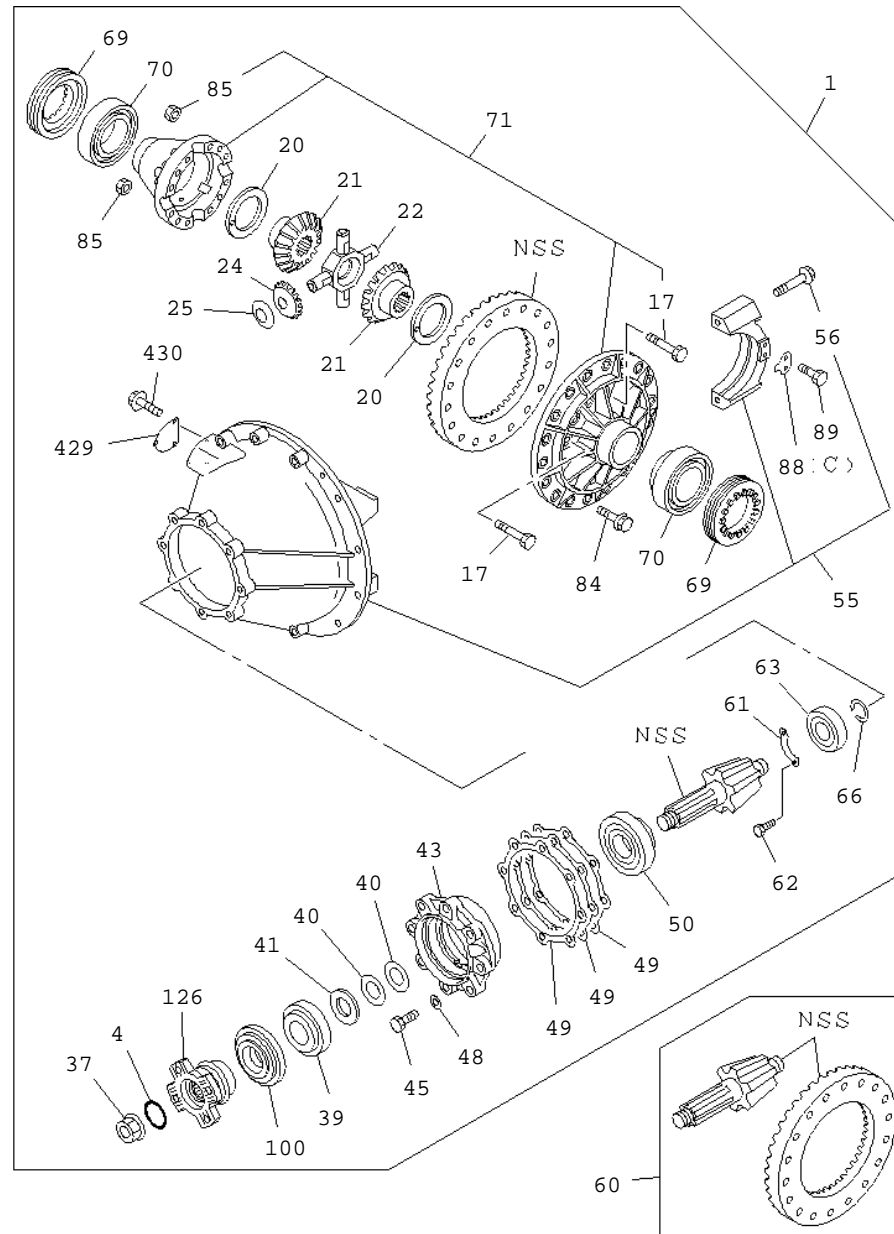
KEY	R / C	PART NAME PART NUMBER	I T C	APPLIED DATE	L / R	Qty	APPLIED MODEL	RESTRICTION/REMARKS
								A FINAL GEAR 43/6 17.5" (W3U) B FINAL GEAR 41/6 17.5" (W4W) C FINAL GEAR 43/7 17.5" (W3Y) D FINAL GEAR 39/7 17.5" (W3Z) E FINAL GEAR 41/8 17.5" (W4A)
56		1-09070-042-0		1406-		04	ABCDE	M20X112
60		GEAR SET; FINAL DRIVE,RR 1-41210-603-0		1406-		01	C	43/7
		1-41210-604-0		1406-		01	D	39/7
		1-41210-605-0		1406-		01	E	41/8
		1-41210-600-0		1312-		01	A	43/6
		1-41210-601-0		1312-		01	B	41/6
61		RETAINER; PILOT BRG,PINION 1-41227-012-0		1312-1405		02	AB	T=3.2
		1-41227-012-0		1406-		02	ABCDE	T=3.2
62		BOLT; RET 1-09042-038-1		1312-1405		02	AB	M8X40 W/PIN HOLE
		1-09042-038-1		1406-		02	ABCDE	M8X40 W/PIN HOLE
63		BEARING; PINION PILOT 1-09810-182-0		1312-1405		01	AB	KOYO
		1-09810-182-0		1406-		01	ABCDE	KOYO
		1-09810-183-0		1312-1405		01	AB	NSK
		1-09810-183-0		1406-		01	ABCDE	NSK
64		NUT; RET 0-91117-508-0		1312-1405		02	AB	M8 SLOTTED
		0-91117-508-0		1406-		02	ABCDE	M8 SLOTTED
65		PIN; SPLIT,RET 0-81122-012-0		1312-1405		02	AB	
		0-81122-012-0		1406-		02	ABCDE	
66		RING; SNAP,PILOT BRG 1-09588-086-2		1312-1405		01	AB	OD=37.2
		1-09588-086-2		1406-		01	ABCDE	OD=37.2

4-25A REAR FINAL DRIVE -A 17.5"

KEY	R / C	PART NAME PART NUMBER	I T C	APPLIED DATE	L / R	Qty	APPLIED MODEL	RESTRICTION/REMARKS
								A FINAL GEAR 43/6 17.5" (W3U) B FINAL GEAR 41/6 17.5" (W4W) C FINAL GEAR 43/7 17.5" (W3Y) D FINAL GEAR 39/7 17.5" (W3Z) E FINAL GEAR 41/8 17.5" (W4A)
69		NUT; ADJ,DIFF CAGE 1-41121-001-0		1312-1405	R	01	AB	M155 H=26
		1-41121-001-0		1406-	R	01	ABCDE	M155 H=26
		1-41121-002-0		1312-1405	L	01	AB	M155 H=30
		1-41121-002-0		1406-	L	01	ABCDE	M155 H=30
70		BEARING; DIFF CAGE 1-09812-225-0		1312-1405		02	AB	KOYO ID=92 OD=152 T=40
		1-09812-225-0		1406-		02	ABCDE	KOYO ID=92 OD=152 T=40
71		CAGE ASM; DIFF,FINAL DRIVE 1-41510-141-0		1312-1405		01	AB	
		1-41510-141-0		1406-		01	ABCDE	
84		BOLT; FINAL DRIVE GEAR 1-09009-049-1		1312-1405		16	AB	M18X38 FLANGE
		1-09009-049-1		1406-		16	ABCDE	M18X38 FLANGE
85		NUT; DIFF CAGE SETTING 0-91110-516-0		1312-1402		12	AB	M16
		0-91110-516-0		1403-1405		12	AB	M16
		0-91110-516-0		1406-		12	ABCDE	M16
88		PLATE; LK,ADJ NUT 1-41124-006-0		1312-1405		02	AB	(A) T=3.2
		1-41124-006-0		1406-		02	ABCDE	(A) T=3.2
		9-41124-005-0		1312-1405		02	AB	(B) T=1.0
		9-41124-005-0		1406-		02	ABCDE	(B) T=1.0
89		BOLT; LK PLATE 0-20850-816-0		1312-1405		04	AB	M8X16

4-25A REAR FINAL DRIVE -A 17.5"

KEY	R / C	PART NAME PART NUMBER	I T C	APPLIED DATE	L / R	Qty	APPLIED MODEL	RESTRICTION/REMARKS
								A FINAL GEAR 43/6 17.5" (W3U) B FINAL GEAR 41/6 17.5" (W4W) C FINAL GEAR 43/7 17.5" (W3Y) D FINAL GEAR 39/7 17.5" (W3Z) E FINAL GEAR 41/8 17.5" (W4A)
89		0-20850-816-0		1406-		04	ABCDE	
100		SEAL; OIL, FINAL PINION 1-09625-322-0		1312-1402		01	AB	M8X16
		1-09625-322-0		1403-1405		01	AB	NOK
		1-09625-322-0		1406-		01	ABCDE	NOK
126		COUPLING; DRIVING PINION 1-37245-265-2		1312-1402		01	AB	NOK
		1-37245-265-2		1403-1405		01	AB	
		1-37245-265-2		1406-		01	ABCDE	



4-25B REAR FINAL DRIVE -B 18.5"

KEY	R / C	PART NAME PART NUMBER	I T C	APPLIED DATE	L / R	Qty	APPLIED MODEL	RESTRICTION/REMARKS
								A FINAL GEAR 39/8 18.5" (W3D) B FINAL GEAR 41/8 18.5" (W3M)
1	D	DRIVE ASM; FINAL,RR 1-41003-391-0		1403-		01	A	
		1-41003-390-0		1403-		01	B	39/8
4		GASKET; FLANGE,FINAL PINION 1-09623-386-0		1403-1405		01	AB	41/8
		1-09623-386-0		1406-		01	AB	ID=57
17		BOLT; DIFF CAGE SETTING 1-09070-013-0		1403-		08	AB	ID=57
		1-09070-014-0		1403-		04	AB	M16X141 FLANGE
20		WASHER; THRUST,SIDE GEAR 1-41562-270-1		1403-		AR	AB	M16X105 FLANGE
		1-41562-271-1		1403-		AR	AB	T=2.8
		1-41562-272-1		1403-		AR	AB	T=2.9
		1-41562-273-1		1403-		AR	AB	T=3.0
		1-41562-274-1		1403-		AR	AB	T=3.1
		1-41562-275-1		1403-		AR	AB	T=3.2
		1-41562-276-1		1403-		AR	AB	T=3.3
21		GEAR; SIDE,DIFF 1-41561-167-0		1403-		02	AB	T=3.4
22		SPIDER; DIFF PINION 1-41521-052-0		1403-		01	AB	Z=16
24		GEAR; PINION,DIFF 1-41551-054-0		1403-		04	AB	OD=35
25		WASHER; THRUST,PINION 1-41552-003-0		1403-		04	AB	Z=10
37		NUT; DRIVING PINION 1-09449-071-0		1403-1405		01	AB	T=1.6
		1-09449-071-0		1406-		01	AB	M46 FLANGE
39		BEARING; FINAL PINION						M46 FLANGE

4-25B REAR FINAL DRIVE -B 18.5"

KEY	R / C	PART NAME PART NUMBER	I T C	APPLIED DATE	L / R	Qty	APPLIED MODEL	RESTRICTION/REMARKS
								A FINAL GEAR 39/8 18.5" (W3D) B FINAL GEAR 41/8 18.5" (W3M)
39		1-09812-075-0		1403-1405		01	AB	
		1-09812-075-0		1406-		01	AB	NSK
		1-09812-076-1		1403-1405		01	AB	NSK
		1-09812-076-1		1406-		01	AB	KOYO
								KOYO
40		SHIM; FINAL PINION 1-41229-245-0		1403-1405		AR	AB	T=3.25
		1-41229-245-0		1406-		AR	AB	T=3.25
		1-41229-246-0		1403-1405		AR	AB	T=3.26
		1-41229-246-0		1406-		AR	AB	T=3.26
		1-41229-247-0		1403-1405		AR	AB	T=3.27
		1-41229-247-0		1406-		AR	AB	T=3.27
		1-41229-248-0		1403-1405		AR	AB	T=3.28
		1-41229-248-0		1406-		AR	AB	T=3.28
		1-41229-249-0		1403-1405		AR	AB	T=3.29
		1-41229-249-0		1406-		AR	AB	T=3.29
		1-41229-250-0		1403-1405		AR	AB	T=3.30
		1-41229-250-0		1406-		AR	AB	T=3.30
		1-41229-251-0		1403-1405		AR	AB	T=3.31
		1-41229-251-0		1406-		AR	AB	T=3.31
		1-41229-252-0		1403-1405		AR	AB	T=3.32
		1-41229-252-0		1406-		AR	AB	T=3.32
		1-41229-253-0		1403-1405		AR	AB	T=3.33
		1-41229-253-0		1406-		AR	AB	T=3.33
		1-41229-254-0		1403-1405		AR	AB	T=3.34

4-25B REAR FINAL DRIVE -B 18.5"

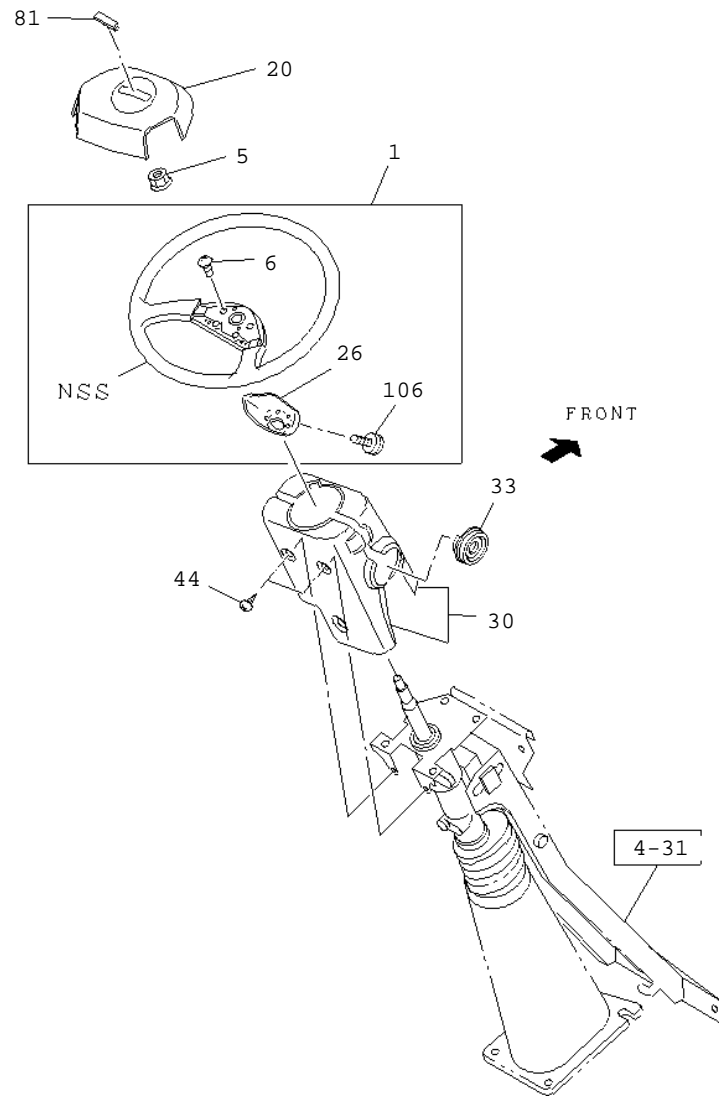
KEY	R / C	PART NAME PART NUMBER	I T C	APPLIED DATE	L / R	Qty	APPLIED MODEL	RESTRICTION/REMARKS
								A FINAL GEAR 39/8 18.5" (W3D) B FINAL GEAR 41/8 18.5" (W3M)
40		1-41229-254-0		1406-		AR	AB	
		1-41229-255-0		1403-1405		AR	AB	T=3.34
		1-41229-255-0		1406-		AR	AB	T=3.35
								T=3.35
41		SPACER; FINAL DRIVE PINION BRG 1-41229-237-0		1403-1405		AR	AB	T=7.60
		1-41229-237-0		1406-		AR	AB	T=7.60
		1-41229-238-0		1403-1405		AR	AB	T=7.80
		1-41229-238-0		1406-		AR	AB	T=7.80
		1-41229-239-0		1403-1405		AR	AB	T=8.00
		1-41229-239-0		1406-		AR	AB	T=8.00
		1-41229-240-0		1403-1405		AR	AB	T=8.20
		1-41229-240-0		1406-		AR	AB	T=8.20
		1-41229-241-0		1403-1405		AR	AB	T=8.40
		1-41229-241-0		1406-		AR	AB	T=8.40
		1-41229-242-0		1403-1405		AR	AB	T=8.60
		1-41229-242-0		1406-		AR	AB	T=8.60
		1-41229-243-0		1403-1405		AR	AB	T=8.80
		1-41229-243-0		1406-		AR	AB	T=8.80
		1-41229-244-0		1403-1405		AR	AB	T=9.00
		1-41229-244-0		1406-		AR	AB	T=9.00
43		CAGE; FINAL PINION 1-41151-057-0		1403-		01	AB	T=82
45		BOLT; FINAL PINION CAGE 0-16806-655-0		1403-1405		08	AB	M16X55
		0-16806-655-0		1406-		08	AB	M16X55
48		WASHER; LK, FINAL PINION						

4-25B REAR FINAL DRIVE -B 18.5"

KEY	R / C	PART NAME PART NUMBER	I T C	APPLIED DATE	L / R	Qty	APPLIED MODEL	RESTRICTION/REMARKS
								A FINAL GEAR 39/8 18.5" (W3D) B FINAL GEAR 41/8 18.5" (W3M)
48		0-91510-516-0		1403-1405		08	AB	
		0-91510-516-0		1406-		08	AB	ID=16.2
49		SHIM; FINAL PINION CAGE 1-41154-077-0		1403-		AR	AB	ID=16.2
		1-41154-078-0		1403-		AR	AB	T=0.50
		1-41154-079-0		1403-		AR	AB	T=1.000
		1-41154-080-0		1403-		AR	AB	T=0.30
50		BEARING; FINAL PINION 1-09812-073-1		1403-1405		01	AB	T=0.40
		1-09812-073-1		1406-		01	AB	NSK
		1-09812-074-3		1403-1405		01	AB	NSK
		1-09812-074-3		1406-		01	AB	KOYO
55		CARRIER; DIFF 1-41110-117-0		1403-		01	AB	KOYO
56		BOLT; BRG CAP 1-09070-015-0		1403-		04	AB	
60		GEAR SET; FINAL DRIVE,RR 1-41210-618-0		1403-		01	A	M20X125 FLANGE
		1-41210-617-0		1403-		01	B	39/8
61		RETAINER; PILOT BRG,PINION 1-41227-008-0		1403-		01	AB	41/8
62		BOLT; RET 0-20850-816-0		1403-		02	AB	T=3.2
63		BEARING; PINION PILOT 1-09810-152-0		1403-		01	AB	M8X16
		1-09810-153-0		1403-		01	AB	NSK
66		RING; SNAP,PILOT BRG 1-09588-061-0		1403-		01	AB	KOYO
69		NUT; ADJ,DIFF CAGE 1-41121-050-0		1403-	R	01	AB	OD=45.9

4-25B REAR FINAL DRIVE -B 18.5"

KEY	R / C	PART NAME PART NUMBER	I T C	APPLIED DATE	L / R	Qty	APPLIED MODEL	RESTRICTION/REMARKS
								A FINAL GEAR 39/8 18.5" (W3D) B FINAL GEAR 41/8 18.5" (W3M)
69		1-41121-051-0		1403-	L	01	AB	
70		BEARING; DIFF CAGE 1-09812-226-0		1403-		02	AB	
71		CAGE ASM; DIFF,FINAL DRIVE 1-41510-253-0		1403-		01	AB	KOYO ID=110 OD=170 T=38
84		BOLT; FINAL DRIVE GEAR 1-09009-049-1		1403-		18	AB	
85		NUT; DIFF CAGE SETTING 0-91110-516-0		1403-1405		12	AB	M18X38 FLANGE M16
		0-91110-516-0		1406-		12	AB	
88		PLATE; LK,ADJ NUT 1-41124-026-0		1403-		02	AB	(C) T=3.2
89		BOLT; LK PLATE 0-28751-020-0		1403-		04	AB	
100		SEAL; OIL,FINAL PINION 1-09625-322-0		1403-1405		01	AB	M10X20 FLANGE NOK
		1-09625-322-0		1406-		01	AB	
126		COUPLING; DRIVING PINION 1-37245-265-2		1403-1405		01	AB	NOK
		1-37245-265-2		1406-		01	AB	
429		PLATE; DUMMY 1-41279-014-0		1403-		01	AB	
430		BOLT; PLATE,DUMMY 0-28650-820-0		1403-		03	AB	M8X20 FLANGE IDN



4-30

STEERING WHEEL AND COWL

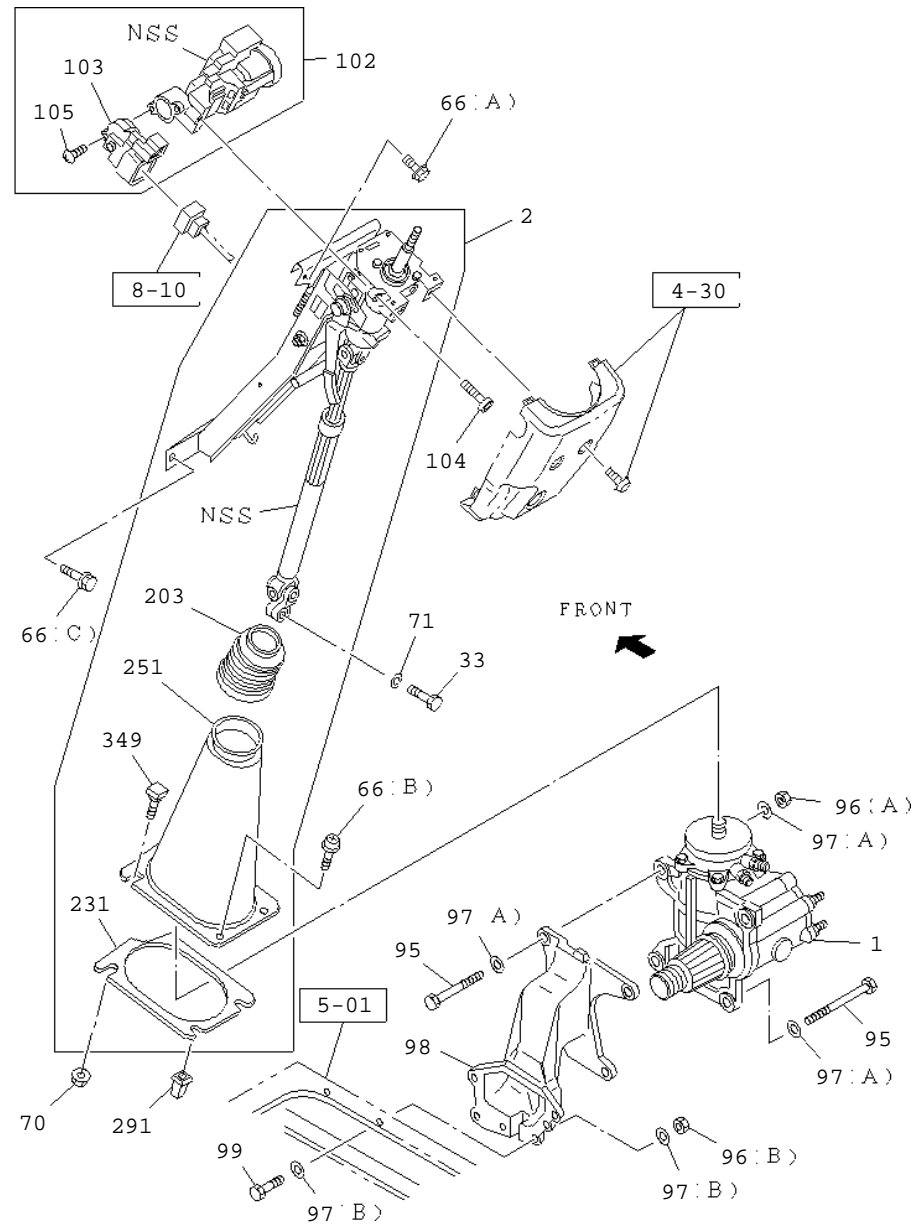
KEY	R / C	PART NAME PART NUMBER	I T C	APPLIED DATE	Qty	APPLIED MODEL	RESTRICTION/REMARKS
							A FVR WIDE CAB(FGR5MV) B GVR WIDE CAB(GGR5MV)
1		WHEEL; STRG 8-97412-555-1		1312-1402	01	A	
		8-97412-555-1		1403-	01	AB	DARK GRAY
5		NUT; STRG WHEEL TO SHAFT 0-91111-514-0		1312-1402	01	A	
		0-91111-514-0		1403-	01	AB	M14
6		SCREW; HORN SPR CONTACT 8-97167-588-0		1312-1402	04	A	
		8-97167-588-0		1403-	04	AB	M4X12
20		SHROUD; PAD, STRG WHEEL 8-97405-985-1		1312-1402	01	A	
		8-97405-985-1		1403-	01	AB	DARK GRAY
26		COVER; STRG WHEEL, LWR 8-97409-275-2		1312-1402	01	A	
		8-97409-275-2		1403-	01	AB	DARK GRAY
30		COWL; STEERING 8-97925-101-0		1312-1402	01	A	
		8-97925-101-0		1403-	01	AB	IDN
33		COVER; STRG COWL 8-97409-495-0		1312-1402	01	A	
		8-97409-495-0		1403-	01	AB	DARK GRAY
44		SCREW; STRG COWL 0-38050-512-0		1312-1402	03	A	
		0-38050-512-0		1403-	03	AB	M5X12
81		EMBLEM; STRG WHEEL 8-97405-986-0		1312-1402	01	A	
		8-97405-986-0		1403-	01	AB	DARK GRAY
106		BOLT; TORX 8-98231-397-0		1312-1402	02	A	
		8-98231-397-0		1403-	02	AB	DARK GRAY

11566 FVR/GVR (INDONESIA) 2014-

4-30

STEERING WHEEL AND COWL

KEY	R / C	PART NAME PART NUMBER	I T C	APPLIED DATE	Qty	APPLIED MODEL	RESTRICTION/REMARKS
							A FVR WIDE CAB(FGR5MV) B GVR WIDE CAB(GGR5MV)
4-31		Move to 4-31					



4-31

STEERING COLUMN AND SHAFT

KEY	R / C	PART NAME PART NUMBER	I T C	APPLIED DATE	Qty	APPLIED MODEL	RESTRICTION/REMARKS
							A FVR WIDE CAB(FGR5MV) B GVR WIDE CAB(GGR5MV)
1	D	STEERING UNIT 1-44000-953-1		1312-1402	01	A	SEE FIG-NO 4-40 FOR COMPONENT.
		1-44000-953-1		1403-	01	AB	IDN
2		SHAFT ASM; STRG 8-97415-618-2		1312-1402	01	A	IDN
		8-97415-618-2		1403-	01	AB	BLACK IDN
33		BOLT; STRG SHAFT TO UNIT 1-09009-126-1		1312-1402	01	A	BLACK IDN
		1-09009-126-1		1403-	01	AB	M10X35
66		BOLT; STRG COLUMN 0-28650-820-0		1312-1402	02	A	M10X35
		0-28650-820-0		1403-	02	AB	(A) M8X20 FLANGE IDN
		0-72180-518-0		1312-1402	02	A	(A) M8X20 FLANGE IDN
		0-72180-518-0		1403-	02	AB	(B) M5X18 TAPPING
		8-98018-439-0		1312-1402	02	A	(B) M5X18 TAPPING
		8-98018-439-0		1403-	02	AB	(C) M8X25 W/LK&PL WASHER
70		NUT; STRG COLUMN 1-09984-180-0		1312-1402	02	A	(C) M8X25 W/LK&PL WASHER
		1-09984-180-0		1403-	02	AB	M6 FLANGE W/RUBBER
71		WASHER; LK,SHAFT TO UNIT 0-91510-810-0		1312-1402	01	A	M6 FLANGE W/RUBBER
							ID=10.2 IDN

4-31

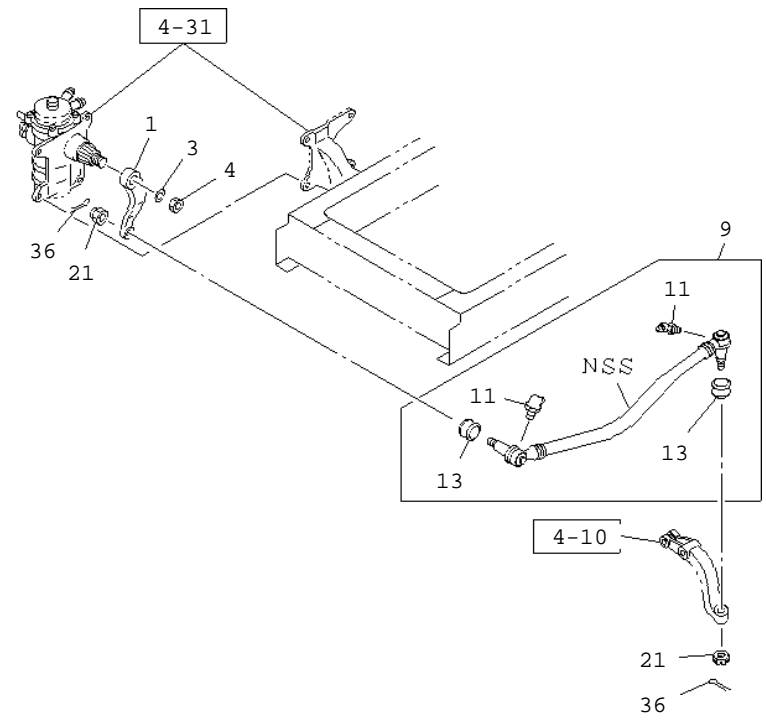
STEERING COLUMN AND SHAFT

KEY	R / C	PART NAME PART NUMBER	I T C	APPLIED DATE	Qty	APPLIED MODEL	RESTRICTION/REMARKS
							A FVR WIDE CAB(FGR5MV) B GVR WIDE CAB(GGR5MV)
71		0-91510-810-0		1403-	01	AB	ID=10.2 IDN
95		BOLT; STRG UNIT 1-09000-305-0		1312-1402	04	A	M16X66
		1-09000-305-0		1403-	04	AB	M16X66
96		NUT; STRG UNIT 0-91110-516-0		1312-1402	02	A	(A) M16
		0-91110-516-0		1403-	02	AB	(A) M16
		1-09440-097-0		1312-1402	06	A	(B) M14
		1-09440-097-0		1403-	06	AB	(B) M14
97		WASHER; PL,STRG UNIT 1-09503-316-0		1312-1402	06	A	(A) ID=16.2
		1-09503-316-0		1403-	06	AB	(A) ID=16.2
		8-98010-627-1		1312-1402	12	A	(B) ID=15
		8-98010-627-1		1403-	12	AB	(B) ID=15
98		BRACKET; STRG GEAR BOX 1-44226-136-1		1312-1402	01	A	
		1-44226-136-1		1403-	01	AB	
99		BOLT; BRKT TO FRAME 1-09000-787-0		1312-1402	06	A	M14X50
		1-09000-787-0		1403-	06	AB	M14X50
102		LOCK ASM; STRG 8-97948-271-0		1312-1402	01	A	IDN
		8-97948-271-0		1403-	01	AB	IDN
103		SWITCH; IGNITION					

4-31

STEERING COLUMN AND SHAFT

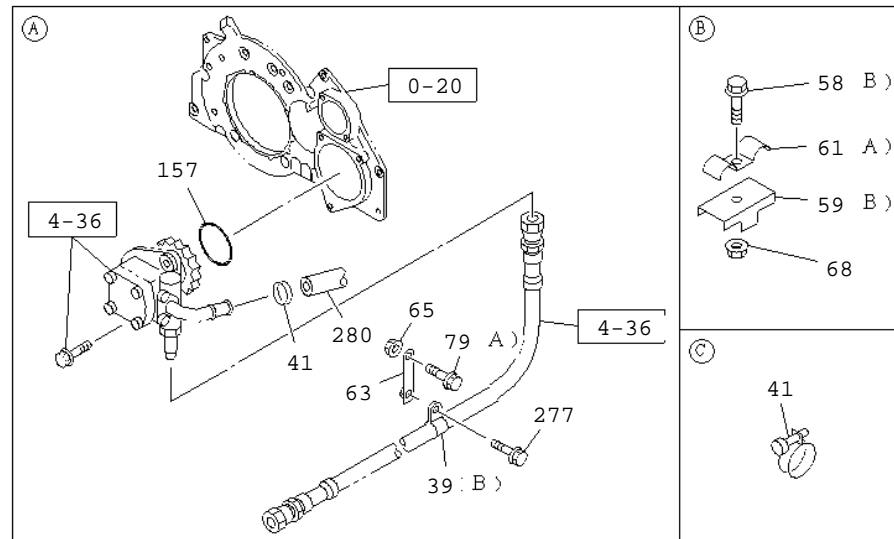
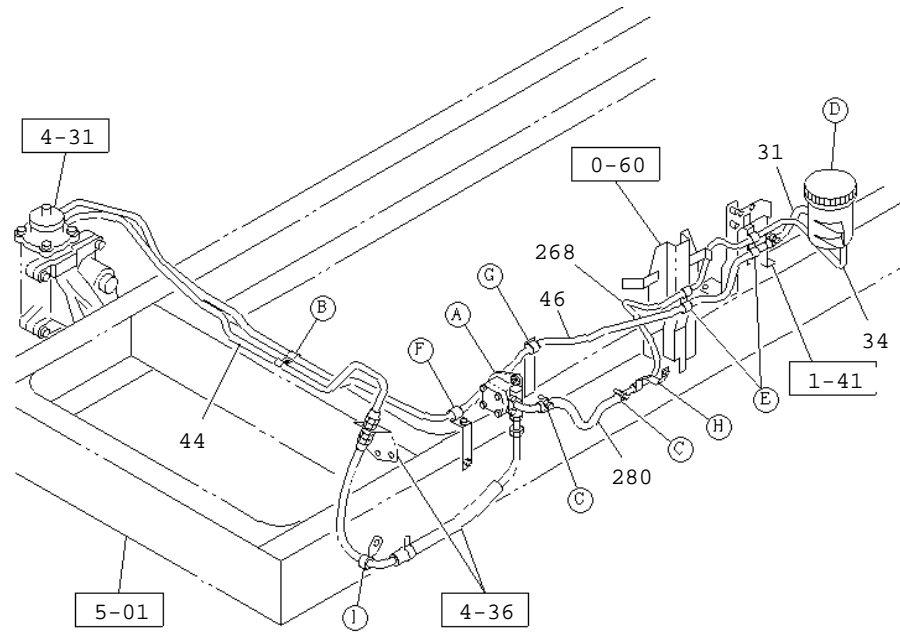
KEY	R / C	PART NAME PART NUMBER	I T C	APPLIED DATE	Qty	APPLIED MODEL	RESTRICTION/REMARKS
							A FVR WIDE CAB(FGR5MV) B GVR WIDE CAB(GGR5MV)
103		8-98045-349-0		1312-1402	01	A	
		8-98045-349-0		1403-	01	AB	
104		BOLT; STRG LOCK TO COLUMN					
		8-97321-385-0		1312-1402	02	A	
		8-97321-385-0		1403-	02	AB	M8X20 TORQUE SHEAR BOLT
							M8X20 TORQUE SHEAR BOLT
105		SCREW; IGN SW					
		8-98045-346-0		1312-1402	02	A	
		8-98045-346-0		1403-	02	AB	
203		BOOT; STRG COLUMN LWR					
		8-98137-333-0		1312-1402	01	A	
		8-98137-333-0		1403-	01	AB	IDN
							IDN
231		SEAL; RUBBER,STRG COLUMN					
		8-98137-330-0		1312-1402	01	A	
		8-98137-330-0		1403-	01	AB	IDN
							IDN
251		COVER; LWR					
		8-97417-050-0		1312-1402	01	A	
		8-97417-050-0		1403-	01	AB	BLACK IDN
							BLACK IDN
291		GROMMET; STRG SHAFT COVER					
		8-94279-043-0		1312-1402	02	A	
		8-94279-043-0		1403-	02	AB	D=7.8X7.8 L=18 NATURAL IDN
							D=7.8X7.8 L=18 NATURAL IDN
349		BOLT; COVER					
		8-98137-334-0		1312-1402	02	A	
		8-98137-334-0		1403-	02	AB	IDN
							IDN
4-30		Move to 4-30					
5-01		Move to 5-01					
8-10		Move to 8-10					

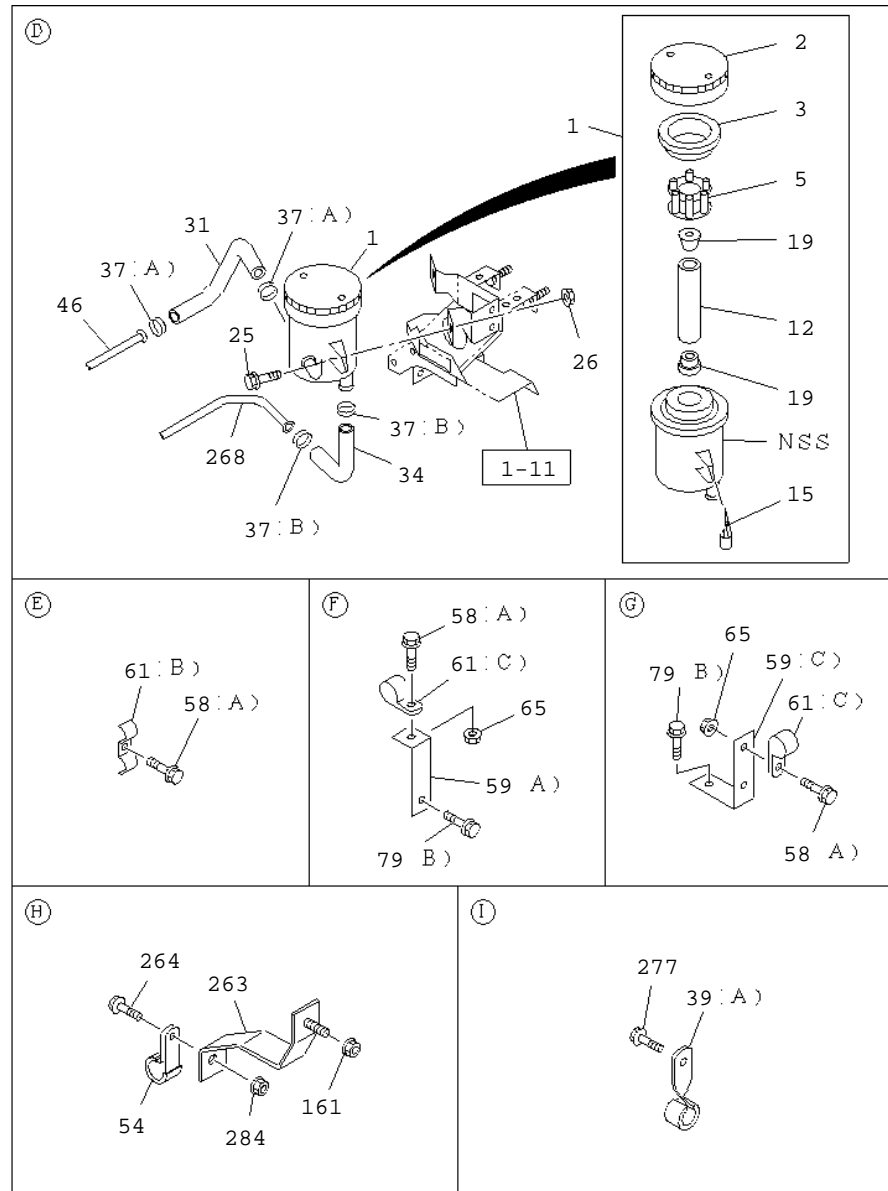


4-33

STEERING LINKAGE

KEY	R / C	PART NAME PART NUMBER	I T C	APPLIED DATE	Qty	APPLIED MODEL	RESTRICTION/REMARKS	
							A FVR WIDE CAB(FGR5MV)	B GVR WIDE CAB(GGR5MV)
1		ARM; PITMAN,STRG 1-44341-423-1		1312-1402	01	A		
		1-44341-423-1		1403-	01	AB		
3		WASHER; LK,PITMAN ARM 1-09500-056-0		1312-1402	01	A		
		1-09500-056-0		1403-	01	AB		
4		NUT; PITMAN ARM 1-09440-098-0		1312-1402	01	A		
		1-09440-098-0		1403-	01	AB	M36 FLANGE	
9		LINK; DRAG 8-98181-399-0		1312-1402	01	A		
		8-98181-399-0		1403-	01	AB		
11		NIPPLE; GREASE,DRAG LINK 8-98160-122-0		1312-1402	02	A		
		8-98160-122-0		1403-	02	AB		
13		BOOT; DRAG LINK 1-43159-131-0		1312-1402	02	A		
		1-43159-131-0		1403-	02	AB		
21		NUT; LK,JOINT BALL 1-09442-032-0		1312-1402	02	A		
		1-09442-032-0		1403-	02	AB	M24	
36		PIN; SPLIT,DRAG LINK 0-81125-035-0		1312-1402	02	A		
		0-81125-035-0		1403-	02	AB	M24	
4-10		Move to 4-10					OD=4.6 L=35	
4-31		Move to 4-31					OD=4.6 L=35	





KEY	R / C	PART NAME PART NUMBER	I T C	APPLIED DATE	Qty	APPLIED MODEL	RESTRICTION/REMARKS
							A FVR WIDE CAB(FGR5MV) B GVR WIDE CAB(GGR5MV)
1		TANK ASM; OIL,P/S 8-98166-928-0		1312-1402	01	A	
		8-98166-928-0		1403-	01	AB	IDN
2		CAP; OIL TANK,P/S 8-98166-876-0		1312-1402	01	A	
		8-98166-876-0		1403-	01	AB	IDN
3		GASKET; OIL TANK,P/S 1-21249-003-1		1312-1402	01	A	
		1-21249-003-1		1403-	01	AB	IDN
5		STRAINER; OIL TANK,P/S 1-21235-007-1		1312-1402	01	A	
		1-21235-007-1		1403-	01	AB	IDN
12		FILTER; MICROBON,OIL TANK,P/S 1-21235-011-0		1312-1402	01	A	
		1-21235-011-0		1403-	01	AB	IDN
15		PLATE; FILTER,OIL TANK 1-21249-016-0		1312-1402	02	A	
		1-21249-016-0		1403-	02	AB	IDN
19		SEAT; OIL TANK 1-21249-004-0		1312-1402	02	A	
		1-21249-004-0		1403-	02	AB	IDN
25		BOLT; OIL TANK BRKT 0-28650-825-0		1312-1402	02	A	
		0-28650-825-0		1403-	02	AB	M8X25 FLANGE IDN
26		NUT; OIL TANK TO BRKT 0-91180-108-0		1312-1402	02	A	
		0-91180-108-0		1403-	02	AB	M8 FLANGE M8 FLANGE IDN
31		HOSE; P/S OIL TANK,INL					

4-35

POWER STEERING CONTROL; CHASSIS SIDE

KEY	R / C	PART NAME PART NUMBER	I T C	APPLIED DATE	Qty	APPLIED MODEL	RESTRICTION/REMARKS
							A FVR WIDE CAB(FGR5MV) B GVR WIDE CAB(GGR5MV)
31		8-98092-730-0		1312-1402	01	A	
		8-98092-730-0		1403-	01	AB	IDN
34		HOSE; P/S OIL TANK, OUTLET 8-98021-827-0		1312-1402	01	A	IDN
		8-98021-827-0		1403-	01	AB	IDN
37		CLIP; HOSE, P/S 1-09704-082-0		1312-1402	02	A	IDN
		1-09704-082-0		1403-	02	AB	(A) ID=26
		1-09704-085-0		1312-1402	02	A	(A) ID=26
		1-09704-085-0		1403-	02	AB	(B) ID=32
39		CLIP; FLEX HOSE 1-09700-733-1		1312-1402	01	A	(B) ID=32
		1-09700-733-1		1403-	01	AB	(A) ID=19 L=58
		8-94226-553-0		1312-1402	01	A	(A) ID=19 L=58
		8-94226-553-0		1403-	01	AB	(B) ID=40
41		CLIP; HOSE, P/S 1-09704-085-0		1312-1402	02	A	(B) ID=40
		1-09704-085-0		1403-	02	AB	ID=32
44		PIPE; OIL, P/S UNIT TO NIPPLE 8-98075-632-1		1312-1402	01	A	ID=32
		8-98075-632-1		1403-	01	AB	IDN
46		PIPE; OIL, P/S UNIT TO OIL TANK 8-98092-721-0		1312-1402	01	A	IDN
							L=2775

4-35

POWER STEERING CONTROL; CHASSIS SIDE

KEY	R / C	PART NAME PART NUMBER	I T C	APPLIED DATE	Qty	APPLIED MODEL	RESTRICTION/REMARKS
							A FVR WIDE CAB(FGR5MV) B GVR WIDE CAB(GGR5MV)
46		8-98092-721-0		1403-	01	AB	
54		CLIP; OIL PIPE 0-95235-836-0		1312-1402	01	A	L=2775
		0-95235-836-0		1403-	01	AB	ID=19 L=20
58		BOLT; CLIP 0-28050-816-0		1312-1402	02	A	ID=19 L=20
		0-28050-816-0		1403-	02	AB	(A) M8X16 FLANGE
		0-28650-820-0		1312-1402	02	A	(A) M8X16 FLANGE
		0-28650-820-0		1403-	02	AB	(A) M8X20 FLANGE IDN
		0-28650-840-0		1312-1402	01	A	(A) M8X20 FLANGE IDN
		0-28650-840-0		1403-	01	AB	(B) M8X40 FLANGE
59		BRACKET; CLIP,OIL PIPE 1-47475-427-1		1312-1402	01	A	(B) M8X40 FLANGE
		1-47475-427-1		1403-	01	AB	(B)
		1-82699-085-0		1312-1402	01	A	(A) L=95
		1-82699-085-0		1403-	01	AB	(A) L=95
		8-98083-607-0		1312-1402	01	A	(C)
		8-98083-607-0		1403-	01	AB	(C)
61		CLIP; OIL PIPE 0-95235-536-0		1312-1402	02	A	(C) ID=16 L=20

4-35

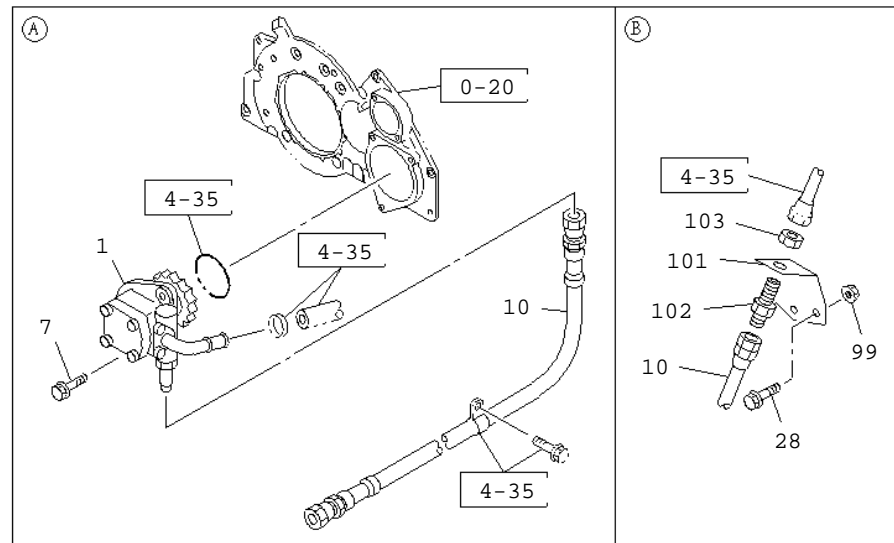
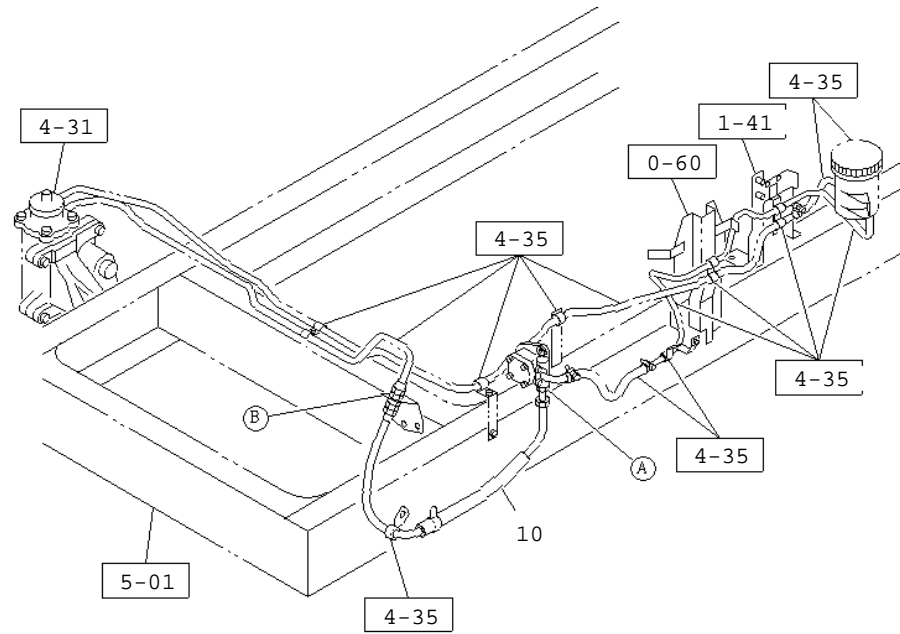
POWER STEERING CONTROL; CHASSIS SIDE

KEY	R / C	PART NAME PART NUMBER	I T C	APPLIED DATE	Qty	APPLIED MODEL	RESTRICTION/REMARKS
							A FVR WIDE CAB(FGR5MV) B GVR WIDE CAB(GGR5MV)
61		0-95235-536-0		1403-	02	AB	(C) ID=16 L=20
		1-09700-668-0		1312-1402	01	A	(A) ID=16 & 13 L=21.5 & 21.5
		1-09700-668-0		1403-	01	AB	(A) ID=16 & 13 L=21.5 & 21.5
		1-09700-806-1		1312-1402	02	A	(B) ID=19 & 16 L=25 & 20
		1-09700-806-1		1403-	02	AB	(B) ID=19 & 16 L=25 & 20
63		BRACKET; CLIP,P/S 1-47476-396-1		1312-1402	01	A	
		1-47476-396-1		1403-	01	AB	
65		NUT; BRKT 0-91180-108-0		1312-1402	03	A	M8 FLANGE
		0-91180-108-0		1403-	03	AB	M8 FLANGE
68		NUT; CLIP,OIL PIPE 0-91180-108-0		1312-1402	01	A	M8 FLANGE
		0-91180-108-0		1403-	01	AB	M8 FLANGE
79		BOLT; BRKT 0-28650-820-0		1312-1402	01	A	(A) M8X20 FLANGE IDN
		0-28650-820-0		1403-	01	AB	(A) M8X20 FLANGE IDN
		0-28650-825-0		1312-1402	01	A	(B) M8X25 FLANGE IDN
		0-28650-825-0		1403-	01	AB	(B) M8X25 FLANGE IDN
		0-28650-830-0		1312-1402	01	A	(B) M8X30 FLANGE

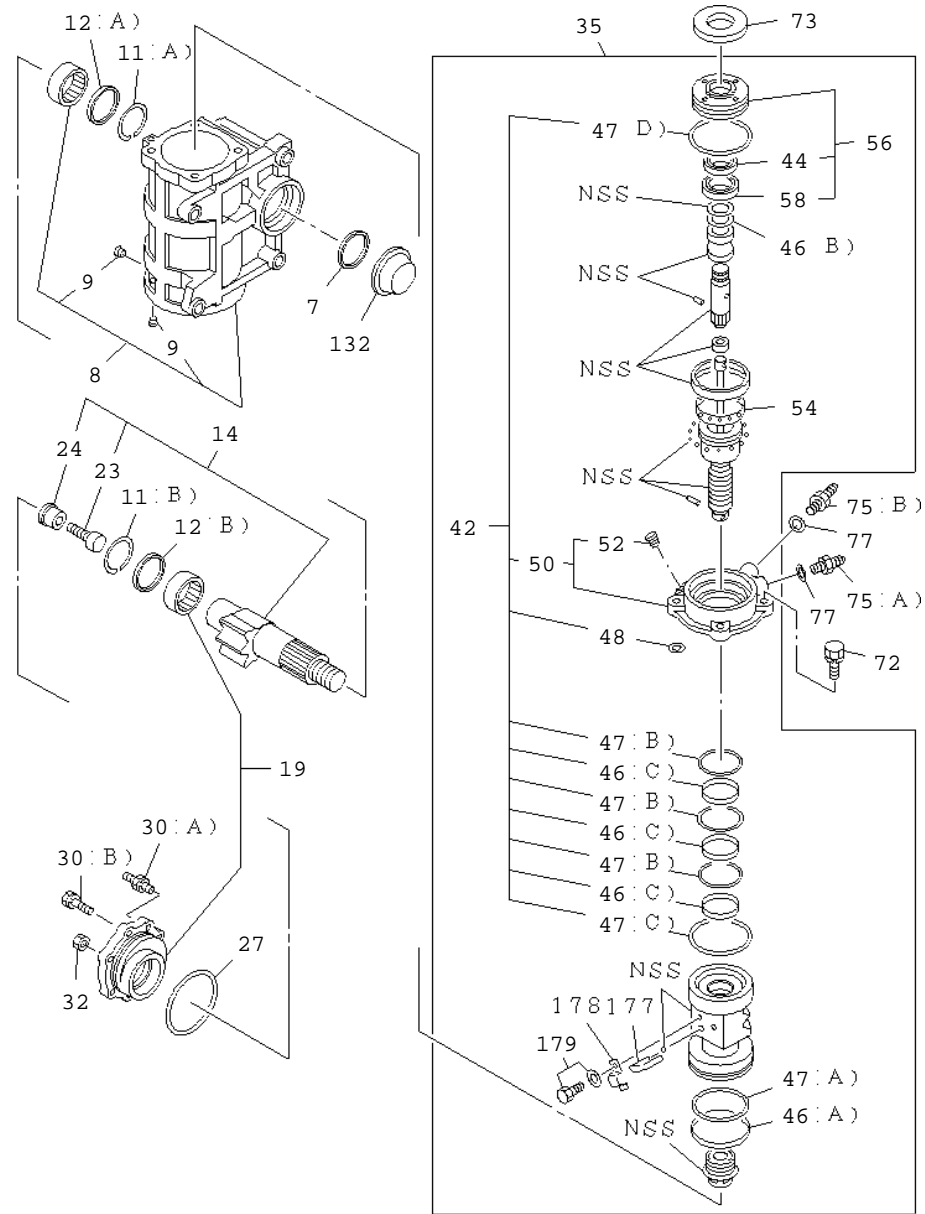
4-35

POWER STEERING CONTROL; CHASSIS SIDE

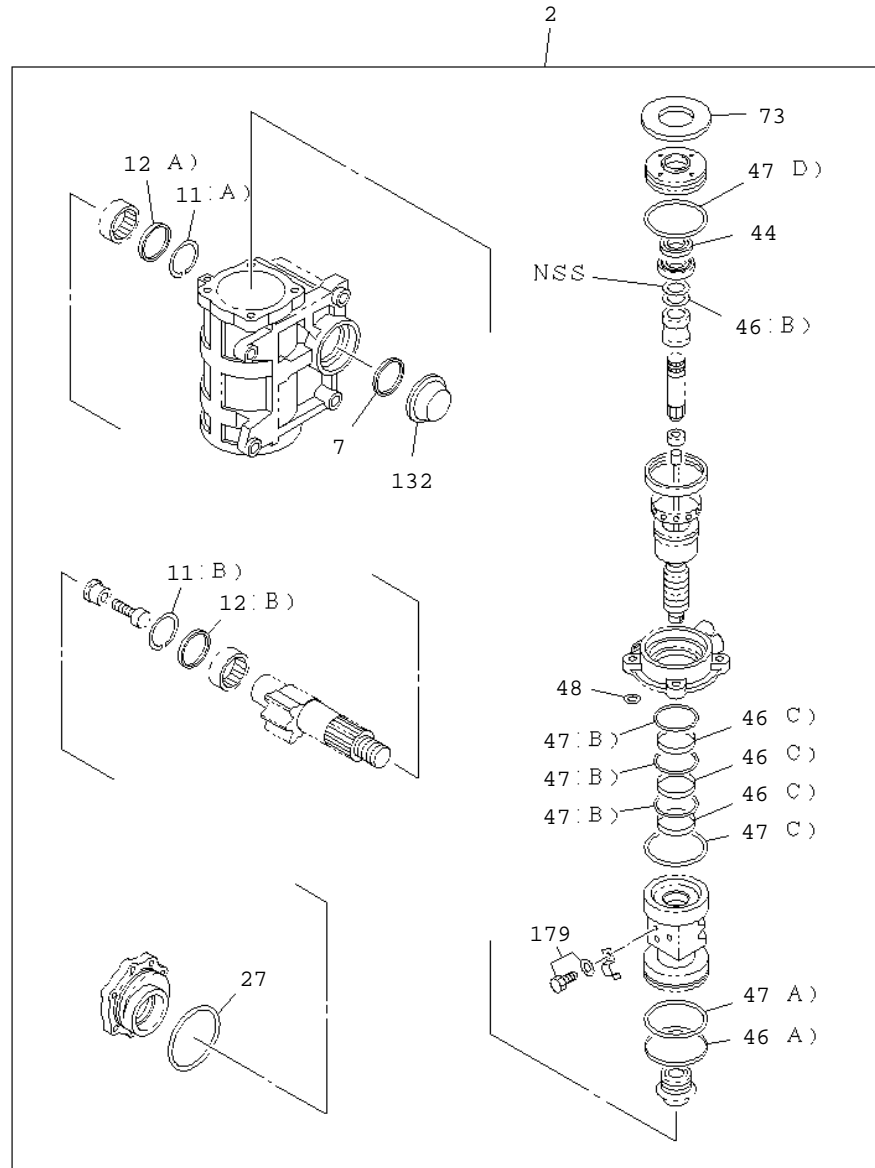
KEY	R / C	PART NAME PART NUMBER	I T C	APPLIED DATE	Qty	APPLIED MODEL	RESTRICTION/REMARKS
							A FVR WIDE CAB(FGR5MV) B GVR WIDE CAB(GGR5MV)
79		0-28650-830-0		1403-	01	AB	
157		GASKET; P/S PUMP 1-09623-467-0		1312-1402	01	A	(B) M8X30 FLANGE ALSO INCLUDED IN GASKET SET(ENGINE).
		1-09623-467-0		1403-	01	AB	ID=96.4
161		NUT; P/S PIPE 0-91180-108-0		1312-1402	01	A	ID=96.4
		0-91180-108-0		1403-	01	AB	M8 FLANGE
263		BRACKET; P/S PIPE 8-98096-820-1		1312-1402	01	A	M8 FLANGE
		8-98096-820-1		1403-	01	AB	M8 FLANGE
264		BOLT; PIPE BRKT 0-28650-820-0		1312-1402	01	A	
		0-28650-820-0		1403-	01	AB	M8X20 FLANGE IDN
268		PIPE; OIL,FLEX HOSE TO FLEX HOSE 8-98154-047-0		1312-1402	01	A	M8X20 FLANGE IDN
		8-98154-047-0		1403-	01	AB	
277		BOLT; HOSE CLIP 0-28050-816-0		1312-1402	02	A	
		0-28050-816-0		1403-	02	AB	M8X16 FLANGE
280		HOSE; P/S OIL PUMP,INL 8-98090-818-0		1312-1402	01	A	M8X16 FLANGE
		8-98090-818-0		1403-	01	AB	IDN
284		NUT; PIPE 0-91180-108-0		1312-1402	01	A	IDN
		0-91180-108-0		1403-	01	AB	M8 FLANGE
0-20		Move to 0-20					M8 FLANGE
0-60		Move to 0-60					
1-41		Move to 1-41					
4-31		Move to 4-31					
4-36		Move to 4-36					
5-01		Move to 5-01					
1-11		Move to 1-11					



KEY	R / C	PART NAME PART NUMBER	I T C	APPLIED DATE	Qty	APPLIED MODEL	RESTRICTION/REMARKS
							A FVR WIDE CAB(FGR5MV) B GVR WIDE CAB(GGR5MV) SEE FIG-NO 4-42 FOR COMPONENT.
1	D	PUMP ASM; OIL,P/S 1-19500-629-1		1312-1402	01	A	
		1-19500-629-1		1403-	01	AB	
7		BOLT; OIL PUMP,P/S 8-97365-449-0		1312-1402	02	A	M10X55 FLANGE
		8-97365-449-0		1403-	02	AB	M10X55 FLANGE
10		HOSE; FLEX,P/S OIL PUMP,INL 8-98060-231-2		1403-1405	01	B	6HK1-TCS ENG(80L)
		8-98060-231-2		1406-	01	A	
		8-98060-231-2		1406-	01	B	
		8-98076-172-0		1312-	01	A	
28		BOLT; BRKT,FLEX HOSE,P/S 0-28650-820-0		1312-1402	02	A	6HK1-TCN ENG(82L)
		0-28650-820-0		1403-	02	AB	M8X20 FLANGE IDN
99		NUT; BRKT,FLEX HOSE,P/S 0-91180-108-0		1312-1402	02	A	M8X20 FLANGE IDN
		0-91180-108-0		1403-	02	AB	M8 FLANGE
101		BRACKET; UNION 8-98052-888-1		1312-1402	01	A	M8 FLANGE
		8-98052-888-1		1403-	01	AB	
102		UNION 1-09654-167-1		1312-1402	01	A	M20 & M22 STRAIGHT
		1-09654-167-1		1403-	01	AB	M20 & M22 STRAIGHT
103		NUT; UNION 0-91111-522-0		1312-1402	01	A	M22
		0-91111-522-0		1403-	01	AB	M22
0-20		Move to 0-20					
0-60		Move to 0-60					
1-41		Move to 1-41					
4-31		Move to 4-31					
4-35		Move to 4-35					
5-01		Move to 5-01					



4-40 STEERING UNIT
REPAIR KIT



4-40

STEERING UNIT

KEY	R / C	PART NAME PART NUMBER	I T C	APPLIED DATE	Qty for ASM A	RESTRICTION/REMARKS
						A 1440009531
2	B	REPAIR KIT; STRG UNIT, 2 YEAR 8-98095-830-0			01	2 YEAR IDN
		8-98095-830-0			01	2 YEAR IDN
7		SEAL; SECTOR SHAFT, STRG UNIT 8-98159-116-0			01	IDN
		8-98159-116-0			01	IDN
8		BOX ASM; STRG UNIT 8-98159-752-0			01	IDN
		8-98159-752-0			01	IDN
9		PLUG; FILLER, STRG UNIT 1-44519-071-0			02	IDN
		1-44519-071-0			02	IDN
11		RING; BACKUP, STRG UNIT 1-44249-075-0			01	(A) IDN
		1-44249-075-0			01	(A) IDN
		1-44519-103-0			01	(B) IDN
		1-44519-103-0			01	(B) IDN
12		GASKET; SHAFT, STRG UNIT 1-44249-076-0			01	(A) IDN
		1-44249-076-0			01	(A) IDN
		1-44519-226-0			01	(B) IDN
		1-44519-226-0			01	(B) IDN
14		SHAFT; SECTOR, STRG UNIT 1-44320-003-0			01	IDN
		1-44320-003-0			01	IDN
19		COVER; SIDE STRG UNIT 8-98159-763-0			01	IDN
		8-98159-763-0			01	IDN
23		SCREW; ADJ, SECTOR SHAFT, STRG UNIT 1-44277-003-1			01	IDN
		1-44277-003-1			01	IDN
24		RETAINER; STRG UNIT 1-44279-011-0			01	IDN
		1-44279-011-0			01	IDN
27		GASKET; SIDE COVER, STRG UNIT 1-44269-035-0			01	IDN
		1-44269-035-0			01	IDN
30		BOLT; COVER STRG UNIT				

4-40

STEERING UNIT

KEY	R / C	PART NAME PART NUMBER	I T C	APPLIED DATE	Qty for ASM A	RESTRICTION/REMARKS
						A 1440009531
30		1-19519-121-0			03	(A) IDN
		1-19519-121-0			03	(A) IDN
		1-44279-012-0			05	(B) IDN
		1-44279-012-0			05	(B) IDN
32		NUT; ADJ SCREW, STRG UNIT				
		1-44269-037-0			01	IDN
		1-44269-037-0			01	IDN
35		HOUSING & SCREW ASM; STRG UNIT				
		8-98095-563-0			01	IDN
		8-98095-563-0			01	IDN
42		HOUSING & SEAL ASM; STRG UNIT				
		1-44560-073-0			01	IDN
		1-44560-073-0			01	IDN
44		SEAL; OIL, SHAFT STRG UNIT				
		1-44259-036-1			01	IDN
		1-44259-036-1			01	IDN
46		SEAL; RING, HSG STRG UNIT				
		1-44159-037-0			01	(A) IDN
		1-44159-037-0			01	(A) IDN
		1-44519-096-0			01	(B) IDN
		1-44519-096-0			01	(B) IDN
		1-44519-255-0			03	(C) IDN
		1-44519-255-0			03	(C) IDN
47		GASKET; HSG, STRG UNIT				
		1-44159-036-0			01	(A) IDN
		1-44159-036-0			01	(A) IDN
		1-44519-101-0			03	(B) IDN
		1-44519-101-0			03	(B) IDN
		1-44519-116-0			01	(C) IDN
		1-44519-116-0			01	(C) IDN
		1-44519-260-0			01	(D) IDN

4-40

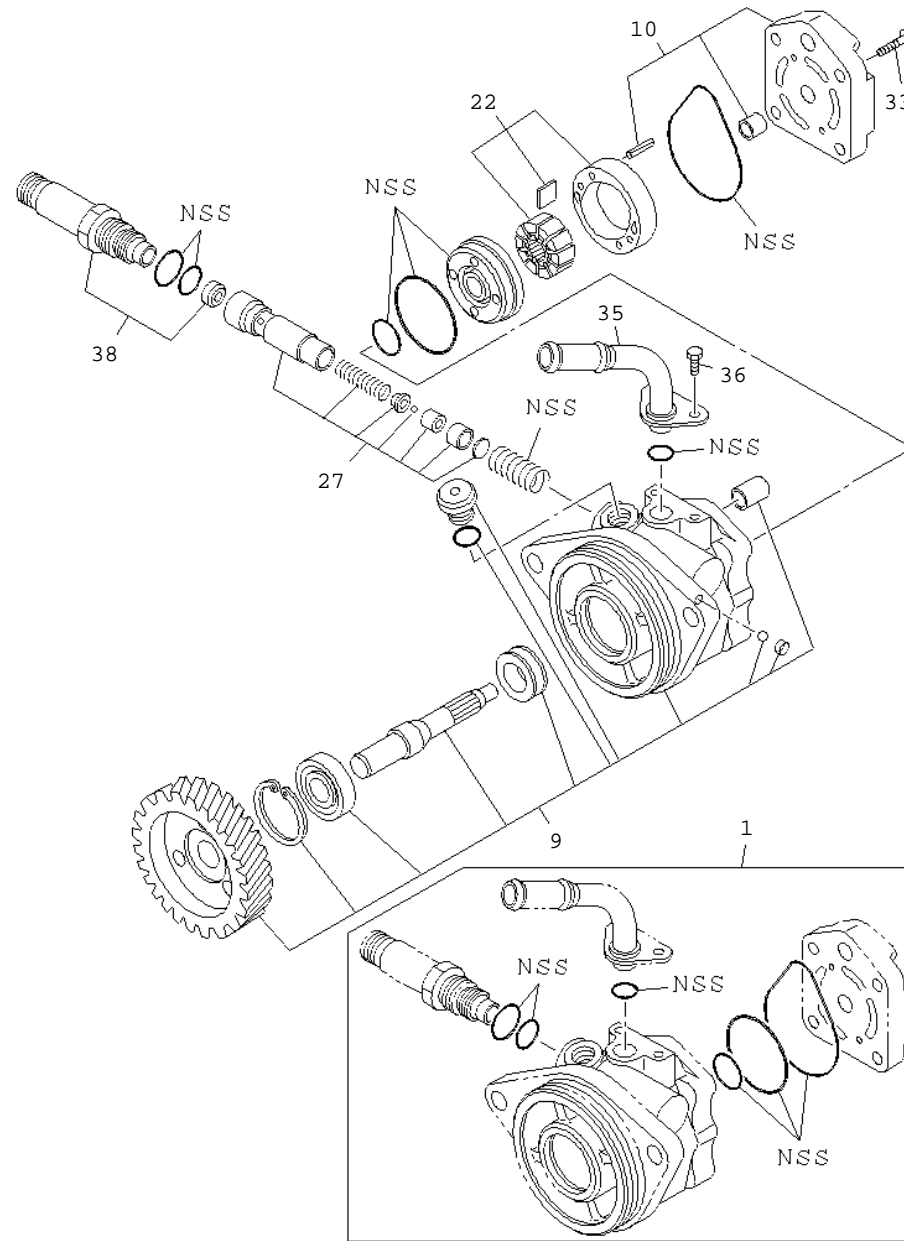
STEERING UNIT

KEY	R / C	PART NAME PART NUMBER	I T C	APPLIED DATE	Qty for ASM A	RESTRICTION/REMARKS
						A 1440009531
47		1-44519-260-0			01	(D) IDN
48		GASKET; HSG,STRG UNIT 1-44519-262-0 1-44519-262-0			01 01	IDN IDN
50		HOUSING ASM; VALVE STRG UNIT 1-44560-072-0 1-44560-072-0			01 01	IDN IDN
52		PLUG; HSG STRG UNIT 1-44519-071-0 1-44519-071-0			01 01	IDN IDN
54		CASE; BEARING STRG UNIT 1-44241-088-0 1-44241-088-0			01 01	IDN IDN
56		PLUG & SEAL ASM; STRG UNIT 1-44250-006-1 1-44250-006-1			01 01	IDN IDN
58		BEARING; HSG STRG UNIT 1-44259-029-0 1-44259-029-0			01 01	IDN IDN
72		BOLT; HSG FIX STRG UNIT 1-44259-017-0 1-44259-017-0			04 04	IDN IDN
73		COVER; DUST,STRG UNIT 8-98074-089-0 8-98074-089-0			01 01	IDN IDN
75		CONNECTOR; HSG STRG UNIT 1-44259-034-1 1-44259-034-1 1-44259-035-1 1-44259-035-1			01 01 01 01	(A) M20X1.5 IDN (A) M20X1.5 IDN (B) M22X1.5 IDN (B) M22X1.5 IDN
77		GASKET; CONNECTOR,STRG UNIT 9-89970-787-0 9-89970-787-0			02 02	IDN IDN
132		COVER; DUST,STRG UNIT 1-44519-227-0 1-44519-227-0			01 01	IDN IDN
177		TUBE; BALL BRG STRG UNIT 1-44159-032-0 1-44159-032-0			02 02	IDN IDN

4-40

STEERING UNIT

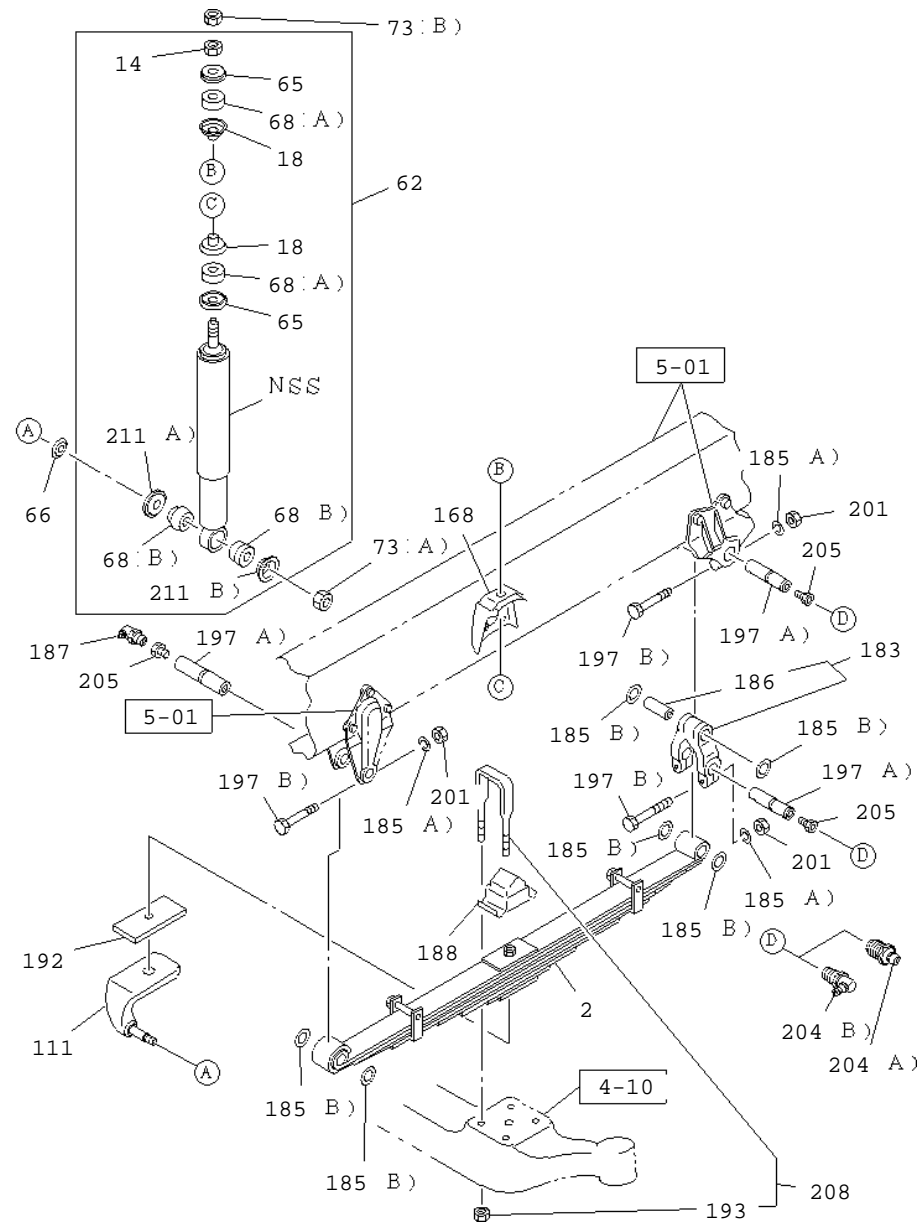
KEY	R / C	PART NAME PART NUMBER	I T C	APPLIED DATE	Qty for ASM A	RESTRICTION/REMARKS
						A 1440009531
178		CLIP; BALL TUBE STRG UNIT 1-44159-034-0 1-44159-034-0			01 IDN 01 IDN	
179		SCREW; CLIP STRG UNIT 1-09000-610-0 1-09000-610-0			02 IDN 02 IDN	



4-42

POWER STEERING OIL PUMP

KEY	R / C	PART NAME PART NUMBER	I T C	APPLIED DATE	Qty for ASM A	RESTRICTION/REMARKS
						A 1195006291
1	B	REPAIR KIT; OIL PUMP 8-98077-484-0			01	
		8-98077-484-0			01	
9		BODY ASM; FRT,OIL PUMP 8-98077-485-0			01	
		8-98077-485-0			01	
10		BODY ASM; RR,OIL PUMP 8-98077-477-0			01	
		8-98077-477-0			01	
22		CARTRIDGE ASM; OIL PUMP 8-98077-476-0			01	
		8-98077-476-0			01	
27		VALVE ASM; OIL PUMP 8-98077-479-0			01	
		8-98077-479-0			01	
33		BOLT; COVER 8-98077-478-0			04	
		8-98077-478-0			04	
35		PIPE; HOSE CONN,OIL PUMP 8-98077-482-0			01	
		8-98077-482-0			01	
36		BOLT; CONN,PIPE 8-97184-763-0			02	
		8-97184-763-0			02	
38		CONNECTOR; OIL PUMP 8-98077-481-0			01	
		8-98077-481-0			01	



4-50

FRONT SUSPENSION

KEY	R / C	PART NAME PART NUMBER	I T C	APPLIED DATE	L / R	Qty	APPLIED MODEL	RESTRICTION/REMARKS
								A FVR WIDE CAB (FGR5MV) B GVR WIDE CAB (GGR5MV) SEE FIG-NO 4-55 FOR COMPONENT.
2		SPRING ASM; LEAF, FRT 8-98029-096-0		1312-1402		02	A	IDN
		8-98029-096-0		1403-		02	AB	IDN
14		NUT; S/ABS, UPR 9-99111-414-0		1312-1402		02	A	M14
		9-99111-414-0		1403-		02	AB	M14
18		WASHER; CENTERING, S/ABS 9-51631-041-0		1312-1402		04	A	ID=20.8 IDN
		9-51631-041-0		1403-		04	AB	ID=20.8 IDN
62	B	ABSORBER ASM; SHOCK, FRT 1-51630-579-0		1312-1402		02	A	IDN
		1-51630-579-0		1403-		02	AB	IDN
65		WASHER; S/ABS 9-51631-040-0		1312-1402		04	A	ID=16.5 IDN
		9-51631-040-0		1403-		04	AB	ID=16.5 IDN
66		WASHER; LK, S/ABS SETTING 0-91610-520-0		1312-1402		02	A	ID=21
		0-91610-520-0		1403-		02	AB	ID=21
68		BUSHING; S/ABS 9-51631-026-0		1312-1402		04	A	(B)
		9-51631-026-0		1403-		04	AB	(B)
		9-51631-039-0		1312-1402		04	A	(A) IDN
		9-51631-039-0		1403-		04	AB	(A) IDN
73		NUT; BRKT, SHOCK						

4-50

FRONT SUSPENSION

KEY	R / C	PART NAME PART NUMBER	I T C	APPLIED DATE	L / R	Qty	APPLIED MODEL	RESTRICTION/REMARKS
								A FVR WIDE CAB(FGR5MV) B GVR WIDE CAB(GGR5MV)
73		0-91110-520-0		1312-1402		02	A	(A) M20
		0-91110-520-0		1403-		02	AB	(A) M20
		0-91111-514-0		1312-1402		02	A	(B) M14
		0-91111-514-0		1403-		02	AB	(B) M14
111		SUPPORTER; S/ABS,FRT SUSP						
		8-98121-195-0		1312-1402	L	01	A	
		8-98121-195-0		1403-	L	01	AB	
		8-98121-193-0		1312-1402	R	01	A	
		8-98121-193-0		1403-	R	01	AB	
168		BRACKET; S/ABS,FRT SUSP						
		1-51681-616-0		1403-1405		02	B	
		1-51681-616-0		1406-		02	A	P90 PROP SHAFT<C5T>
		1-51681-616-0		1406-		02	B	
		8-97695-128-0		1312-1405		02	A	IDN
		8-97695-128-0		1406-		02	A	P46 PROP SHAFT<C4Z> IDN
183		SHACKLE; FRT SUSP						
		1-51162-029-5		1312-1402		02	A	
		1-51162-029-5		1403-		02	AB	
185		WASHER; LK,PIN						
		1-51169-018-0		1312-1402		12	A	(B) ID=32.4
		1-51169-018-0		1403-		12	AB	(B) ID=32.4
		8-98179-315-0		1312-1402		12	A	(A) ID=12.2
		8-98179-315-0		1403-		12	AB	(A) ID=12.2
186	B	BUSHING; SHACKLE						
		8-98081-829-0		1312-1402		02	A	OD=38
		8-98081-829-0		1403-		02	AB	OD=38
187		NIPPLE; GREASE,FRT						

4-50

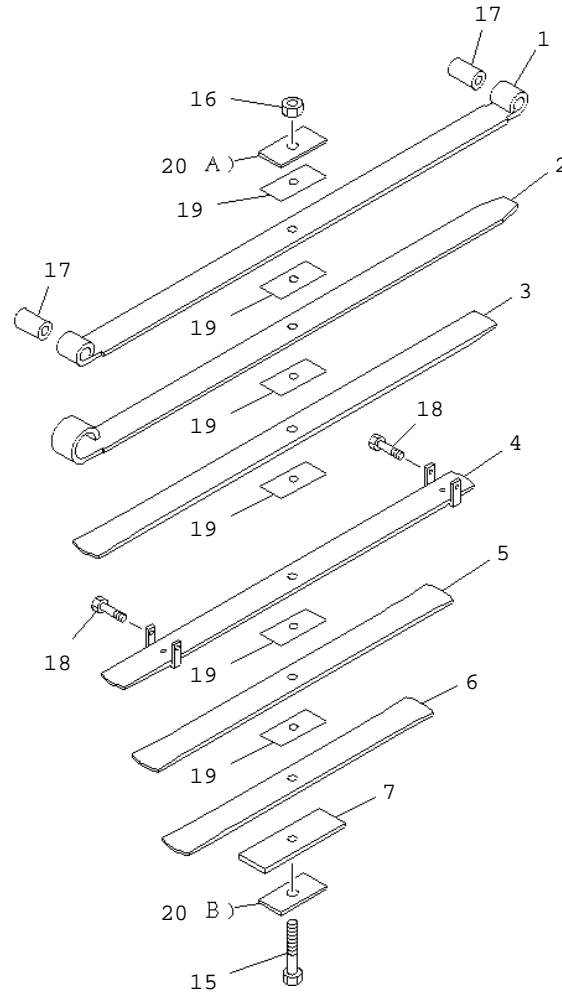
FRONT SUSPENSION

KEY	R / C	PART NAME PART NUMBER	I T C	APPLIED DATE	L / R	Qty	APPLIED MODEL	RESTRICTION/REMARKS
								A FVR WIDE CAB (FGR5MV) B GVR WIDE CAB (GGR5MV)
187		0-90301-610-0		1312-1402		02	A	
		0-90301-610-0		1403-		02	AB	PT1/8 ELBOW
188		RUBBER; CLAMP,U-BOLT,FRT SPR 1-51172-125-1		1312-1402		02	A	PT1/8 ELBOW
		1-51172-125-1		1403-		02	AB	IDN
192		PIECE; DIST 1-51177-284-1		1312-1402		AR	A	IDN
		1-51177-284-1		1403-		AR	AB	80X144 ID=17.5
193		NUT; U BOLT 8-98179-318-0		1312-1402		08	A	80X144 ID=17.5
		8-98179-318-0		1403-		08	AB	M22
197		PIN; FRT SPR,FRT 0-10856-280-0		1312-1402		12	A	M22
		0-10856-280-0		1403-		12	AB	(B) M12X80
		8-97948-141-0		1312-1402		06	A	(B) M12X80
		8-97948-141-0		1403-		06	AB	(A) IDN
201		NUT; PIN LK 0-91110-512-0		1312-1402		12	A	(A) IDN
		0-91110-512-0		1403-		12	AB	M12
204		NIPPLE; GREASE,RR 0-90301-410-0		1312-1402		02	A	M12
		0-90301-410-0		1403-		02	AB	(A) PT1/8 STRAIGHT
		0-90301-510-0		1312-1402		02	A	(A) PT1/8 STRAIGHT
								(B) PT1/8 ELBOW 67.5 DEGREES

4-50

FRONT SUSPENSION

KEY	R / C	PART NAME PART NUMBER	I T C	APPLIED DATE	L / R	Qty	APPLIED MODEL	RESTRICTION/REMARKS
								A FVR WIDE CAB (FGR5MV) B GVR WIDE CAB (GGR5MV)
204		0-90301-510-0		1403-		02	AB	(B) PT1/8 ELBOW 67.5 DEGREES
205		ATTACHMENT; GREASE NIPPLE 9-43165-001-0		1312-1402		06	A	
		9-43165-001-0		1403-		06	AB	
208		U-BOLT SET; FRT SPRING 1-87870-498-0		1312-1401		04	A	L=210
		1-87870-493-0		1402-1402		04	A	L=230
		1-87870-493-0		1403-		04	AB	L=230
211		WASHER; BRKT, SHOCK 9-51631-027-0		1312-1402		02	A	(A) ID=27
		9-51631-027-0		1403-		02	AB	(A) ID=27
		9-51631-028-0		1312-1402		02	A	(B) ID=21
		9-51631-028-0		1403-		02	AB	(B) ID=21
4-10 5-01		Move to 4-10 Move to 5-01						



4-55

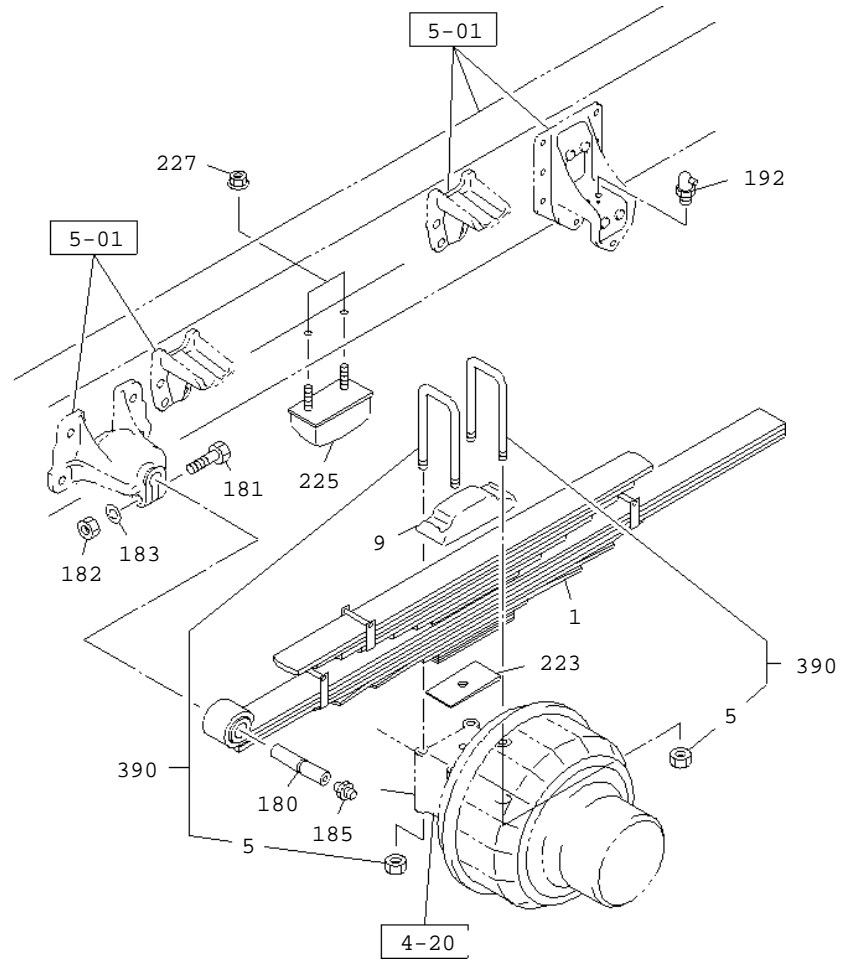
FRONT LEAF SPRING

KEY	R / C	PART NAME PART NUMBER	I T C	APPLIED DATE	Qty for ASM A	RESTRICTION/REMARKS
						A 8980290960
1		SPRING; LEAF,NO 1,FRT 8-98031-827-0			01	IDN
		8-98031-827-0			01	IDN
2		SPRING; LEAF,NO 2,FRT 8-98031-828-0			01	IDN
		8-98031-828-0			01	IDN
3		SPRING; LEAF,NO 3,FRT 8-98031-829-0			01	IDN
		8-98031-829-0			01	IDN
4		SPRING; LEAF,NO 4,FRT 8-98031-830-0			01	IDN
		8-98031-830-0			01	IDN
5		SPRING; LEAF,NO 5,FRT 8-98031-831-0			01	IDN
		8-98031-831-0			01	IDN
6		SPRING; LEAF,NO 6,FRT 8-98031-832-0			01	IDN
		8-98031-832-0			01	IDN
7		SPRING; LEAF,NO 7,FRT 8-98031-833-0			01	IDN
		8-98031-833-0			01	IDN
15		BOLT; CENTER,LEAF SPR,FRT 1-51156-298-0			01	L=145 IDN
		1-51156-298-0			01	L=145 IDN
16		NUT; CENTER BOLT,LEAF SPR,FRT 1-09400-054-0			01	M16 IDN
		1-09400-054-0			01	M16 IDN
17		BUSHING; LEAF SPR,FRT 1-51351-009-0			02	OD=38 IDN
		1-51351-009-0			02	OD=38 IDN
18		BOLT; CLIP,LEAF SPR,FRT 1-09000-328-0			02	M10X99 IDN
		1-09000-328-0			02	M10X99 IDN
19		SPACER; LEAF SPRING,FRT 1-51177-071-0			06	T=1 IDN
		1-51177-071-0			06	T=1 IDN
20		SEAT; LEAF SPR,FRT				

4-55

FRONT LEAF SPRING

KEY	R / C	PART NAME PART NUMBER	I T C	APPLIED DATE	Qty for ASM A	RESTRICTION/REMARKS
						A 8980290960
20		1-51177-161-0			01	(B) T=10 IDN
		1-51177-161-0			01	(B) T=10 IDN
		1-51177-178-0			01	(A) T=8 IDN
		1-51177-178-0			01	(A) T=8 IDN



4-60

REAR SUSPENSION

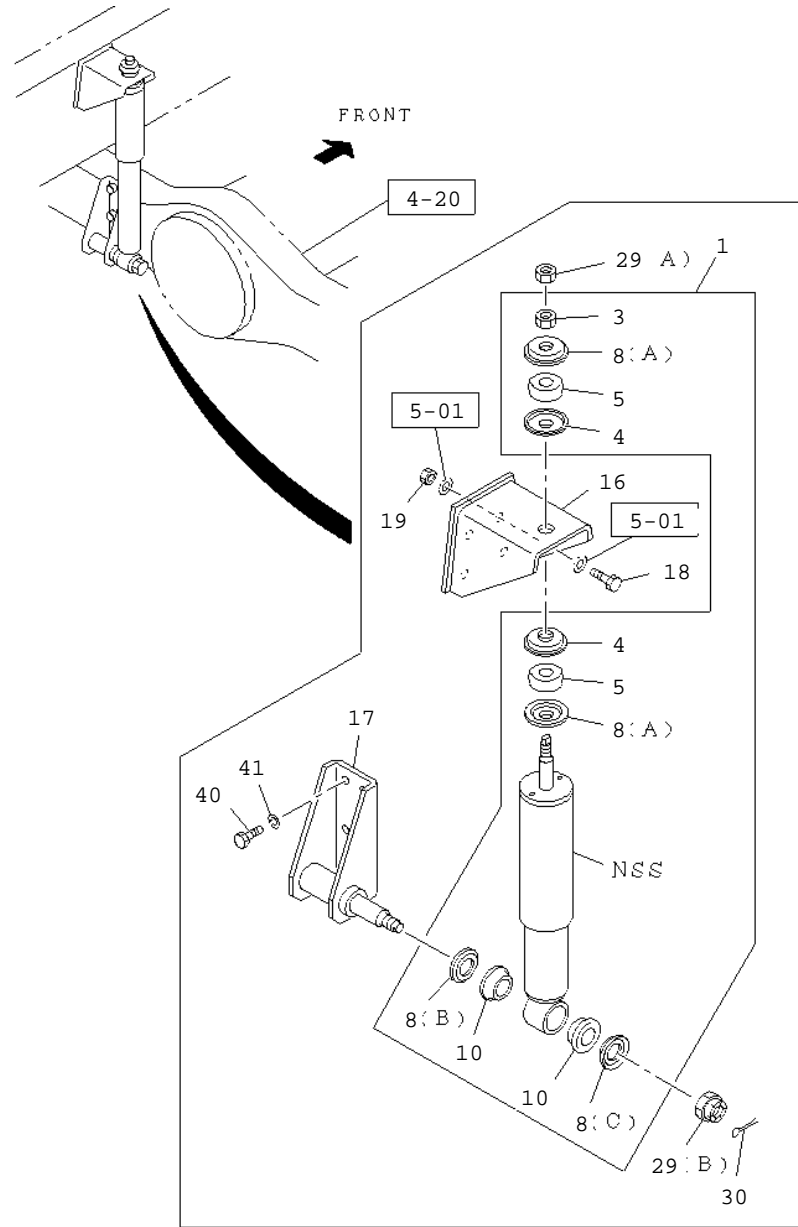
KEY	R / C	PART NAME PART NUMBER	I T C	APPLIED DATE	Qty	APPLIED MODEL	RESTRICTION/REMARKS	
							A FVR WIDE CAB(FGR5MV)	B GVR WIDE CAB(GGR5MV)
1		SPRING ASM; LEAF,RR 8-98208-787-0		1312-1402	02	A		
		8-98208-787-0		1403-	02	AB	IDN	
5		NUT; U-BOLT,RR SPR 0-91112-824-0		1312-1402	08	A	IDN	
		0-91112-824-0		1403-	08	AB	M24	
9		PAD; U BOLT,RR SPR 1-51372-030-0		1312-1402	02	A	M24	
		1-51372-030-0		1403-	02	AB	M24	
180		PIN; RR SPR 1-51361-020-0		1312-1402	02	A		
		1-51361-020-0		1403-	02	AB		
181		BOLT; SPR & SHACKLE 0-10856-480-0		1312-1402	02	A		
		0-10856-480-0		1403-	02	AB	M14X80	
182		NUT; PIN,RR SPR 0-91110-514-0		1312-1402	02	A	M14X80	
		0-91110-514-0		1403-	02	AB	M14	
183		WASHER; LK,PIN,RR SPR 0-91510-514-0		1312-1402	02	A	M14	
		0-91510-514-0		1403-	02	AB	ID=14.2	
185		NIPPLE; GREASE,PIN,RR SPR 0-90301-410-0		1312-1402	02	A	ID=14.2	
		0-90301-410-0		1403-	02	AB	PT1/8 STRAIGHT	
192		NIPPLE; GREASE,SHACKLE PIN 0-90301-510-0		1312-1402	02	A	PT1/8 STRAIGHT	
		0-90301-510-0		1403-	02	AB	PT1/8 ELBOW 67.5 DEGREES	
223		SPACER; U BOLT,RR SPR 8-98091-873-0		1312-1405	02	A	PT1/8 ELBOW 67.5 DEGREES	
		8-98091-873-0		1406-	02	A	WHEEL BASE 4200MM(42W)	
		1-51377-371-1		1312-1402	02	A	WHEEL BASE 4200MM(42W)	
		1-51377-371-1		1403-	02	A	WHEEL BASE 5000MM(50W),WHEEL BASE 6000MM(60W)	
		1-51377-371-1		1403-	02	A	WHEEL BASE 5000MM(50W),WHEEL BASE 6000MM(60W)	
225		RUBBER; CUSHION,RR SPR				B		

4-60

REAR SUSPENSION

KEY	R / C	PART NAME PART NUMBER	I T C	APPLIED DATE	Qty	APPLIED MODEL	RESTRICTION/REMARKS
							A FVR WIDE CAB(FGR5MV) B GVR WIDE CAB(GGR5MV)
225		1-53366-045-1		1312-1402	02	A	
		1-53366-045-1		1403-	02	AB	
227		NUT; CUSHION RUBBER					
		0-91180-212-0		1312-1402	04	A	
		0-91180-212-0		1403-	04	AB	M12 FLANGE
390		U-BOLT SET; RR SPRING					M12 FLANGE
		1-87870-501-0		1312-1402	04	A	L=530
		1-87870-501-0		1403-	04	AB	L=530
4-20		Move to 4-20					
5-01		Move to 5-01					

11566 FVR/GVR (INDONESIA) 2014-

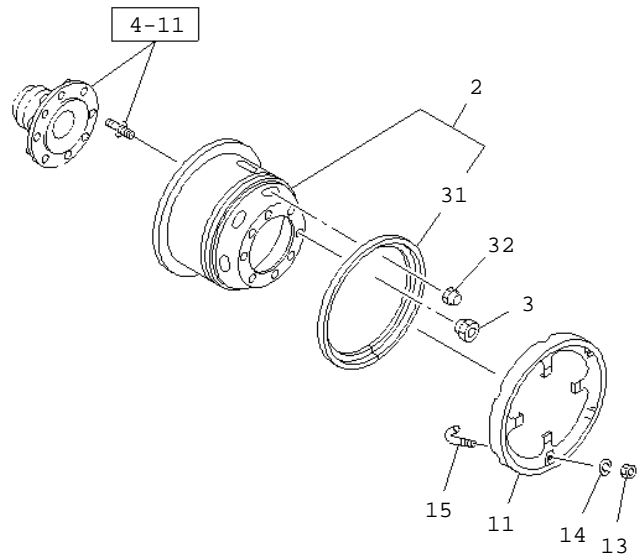


4-61

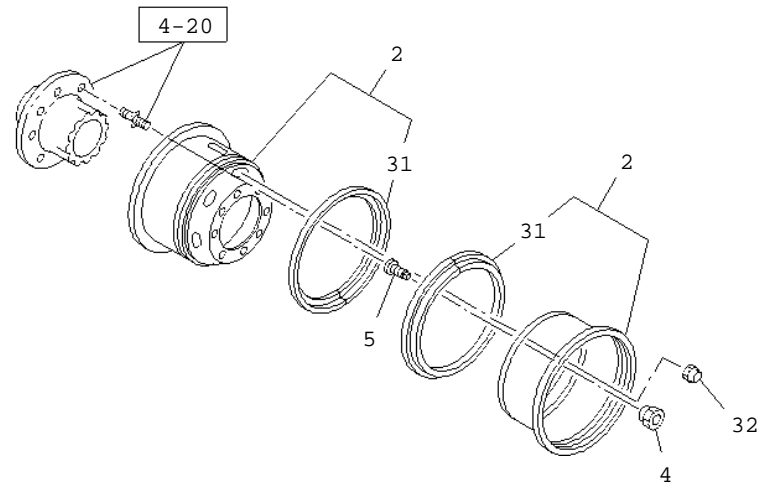
SHOCK ABSORBER; REAR SUSPENSION

KEY	R / C	PART NAME PART NUMBER	I T C	APPLIED DATE	L / R	Qty	APPLIED MODEL	RESTRICTION/REMARKS	
								A FVR WIDE CAB(FGR5MV)	B GVR WIDE CAB(GGR5MV)
1	B	ABSORBER ASM; SHOCK,RR 1-51630-602-0		1403-		02	B	REAR SHOCK ABSORBER<GL6>	
3		NUT; S/ABS 9-99111-418-0		1403-		02	B	REAR SHOCK ABSORBER<GL6> M18	
4		WASHER; CENTER,S/ABS 1-51631-072-0		1403-		04	B	REAR SHOCK ABSORBER<GL6>	
5		BUSHING; RUBBER,S/ABS,UPR 1-51631-073-0		1403-		04	B	REAR SHOCK ABSORBER<GL6>	
8		WASHER; S/ABS 1-51631-071-0		1403-		04	B	REAR SHOCK ABSORBER<GL6> (A)	
		1-51631-074-0		1403-		02	B	REAR SHOCK ABSORBER<GL6> (B)	
		1-51631-075-0		1403-		02	B	REAR SHOCK ABSORBER<GL6> (C)	
10		BUSHING; RUBBER,S/ABS 1-51631-076-0		1403-		04	B	REAR SHOCK ABSORBER<GL6>	
16		BRACKET; S/ABS,RR 1-51681-372-2		1403-		02	B		
17		BRACKET; S/ABS LWR 1-51681-716-0		1403-	R	01	B	REAR SHOCK ABSORBER<GL6>	
		1-51681-717-0		1403-	L	01	B	REAR SHOCK ABSORBER<GL6>	
18		BOLT; S/ABS BRKT 0-20951-440-0		1403-		08	B		M14X40
19		NUT; S/ABS BRKT 0-91110-514-0		1403-		08	B		M14
29		NUT; LK,S/ABS,RR SUSP 0-91111-518-0		1403-		02	B	REAR SHOCK ABSORBER<GL6> (A)	
		9-99116-424-0		1403-		02	B	REAR SHOCK ABSORBER<GL6> (B)	M24
30		PIN; SPLIT,S/ABS,RR SUSP 0-81125-045-0		1403-		02	B	REAR SHOCK ABSORBER<GL6> OD=4.6 L=45	
40		BOLT; LWR BRKT 0-20851-430-0		1403-		08	B	REAR SHOCK ABSORBER<GL6> M14X30	
41		WASHER; LK 0-91510-614-0		1403-		08	B	REAR SHOCK ABSORBER<GL6> ID=14.2	
4-20		Move to 4-20							
5-01		Move to 5-01							

FRONT



REAR



4-80

ROAD WHEEL

KEY	R / C	PART NAME PART NUMBER	I T C	APPLIED DATE	L / R	Qty	APPLIED MODEL	RESTRICTION/REMARKS
								A FVR WIDE CAB (FGR5MV) B GVR WIDE CAB (GGR5MV)
2		WHEEL; DISC 1-42350-478-0		1312-1402		02	A	FRONT IDN
		1-42350-478-0		1403-		02	AB	FRONT IDN
		1-42350-478-0		1312-1402		04	A	REAR IDN
		1-42350-478-0		1403-		04	AB	REAR IDN
		1-42350-478-0		1312-1402		01	A	SPARE TIRE & DISC WHEEL RR TIRE ONE(R46) SPARE IDN
		1-42350-478-0		1403-		01	AB	SPARE TIRE & DISC WHEEL RR TIRE ONE(R46) SPARE IDN
3	B	NUT; WHEEL, FRT AXLE 1-42334-022-3		1312-1402	L	08	A	M24 LH THREAD
		1-42334-022-3		1403-	L	08	AB	M24 LH THREAD
		1-42333-022-3		1312-1402	R	08	A	M24
		1-42333-022-3		1403-	R	08	AB	M24
4	B	NUT; WHEEL, RR AXLE 8-97359-810-0		1312-1402	L	08	A	M30 LH THREAD
		8-97359-810-0		1403-	L	08	AB	M30 LH THREAD
		8-97359-809-0		1312-1402	R	08	A	M30 RH THREAD
		8-97359-809-0		1403-	R	08	AB	M30 RH THREAD
5	B	NUT; WHEEL, INNER, RR AXLE 8-97359-806-0		1312-1402	L	08	A	OUTER M30, INNER M20 LH THREAD IDN
		8-97359-806-0		1403-	L	08	AB	OUTER M30, INNER M20 LH THREAD IDN
		8-97359-805-0		1312-1402	R	08	A	OUTER M30, INNER M20 RH THREAD IDN

4-80

ROAD WHEEL

KEY	R / C	PART NAME PART NUMBER	I T C	APPLIED DATE	L / R	Qty	APPLIED MODEL	RESTRICTION/REMARKS
								A FVR WIDE CAB(FGR5MV) B GVR WIDE CAB(GGR5MV)
5		8-97359-805-0		1403-	R	08	AB	OUTER M30,INNER M20 RH THREAD IDN
11		STEP; DISC WHEEL SIDE 1-43139-002-2		1312-1402		02	A	IDN
		1-43139-002-2		1403-		02	AB	IDN
13		NUT; STEP DISC 0-91110-510-0		1312-1402		06	A	M10
		0-91110-510-0		1403-		06	AB	M10
14		WASHER; LK,STEP DISC 0-91510-810-0		1312-1402		06	A	ID=10.2 IDN
		0-91510-810-0		1403-		06	AB	ID=10.2 IDN
15		BOLT; STEP DISC 9-43139-023-1		1312-1402		06	A	L=44
		9-43139-023-1		1403-		06	AB	L=44
31		RING; SIDE,DISC WHEEL 1-42355-003-1		1312-1402		02	A	FRONT IDN
		1-42355-003-1		1403-		02	AB	FRONT IDN
		1-42355-003-1		1312-1402		04	A	REAR IDN
		1-42355-003-1		1403-		04	AB	REAR IDN
		1-42355-003-1		1312-1402		01	A	SPARE TIRE & DISC WHEEL RR TIRE ONE(R46) SPARE IDN
		1-42355-003-1		1403-		01	AB	SPARE TIRE & DISC WHEEL RR TIRE ONE(R46) SPARE IDN
32		CAP; VALVE 1-42374-001-0		1312-1402		07	A	SPARE TIRE & DISC WHEEL RR TIRE ONE(R46)
		1-42374-001-0		1403-		07	AB	SPARE TIRE & DISC WHEEL RR TIRE ONE(R46)
4-11		Move to 4-11						

11566 FVR/GVR(INDONESIA) 2014-

4-80

ROAD WHEEL

KEY	R / C	PART NAME PART NUMBER	I T C	APPLIED DATE	L / R	Qty	APPLIED MODEL	RESTRICTION/REMARKS
								A FVR WIDE CAB (FGR5MV) B GVR WIDE CAB (GGR5MV)
4-20		Move to 4-20						